

UNLESS OTHERWISE SPECIFIED:

DIMENSIONS ARE IN INCHES
 TOLERANCES:
 ANGULAR: MACH ± 0.50°
 BEND ± 1.00°
 TWO PLACE DECIMAL ±.01
 THREE PLACE DECIMAL ±.005

INTERPRET GEOMETRIC TOLERANCING PER ANSI/ASME Y14.5M-2009

MATERIAL

FINISH

DO NOT SCALE DRAWING

	NAME	DATE
DRAWN		
CHECKED		
ENG APPR.		
MFG APPR.		
Q.A.		
COMMENTS:		

KENYON INTERNATIONAL
 8 HERITAGE PARK - PO BOX 925
 CLINTON, CT 06413

TITLE:

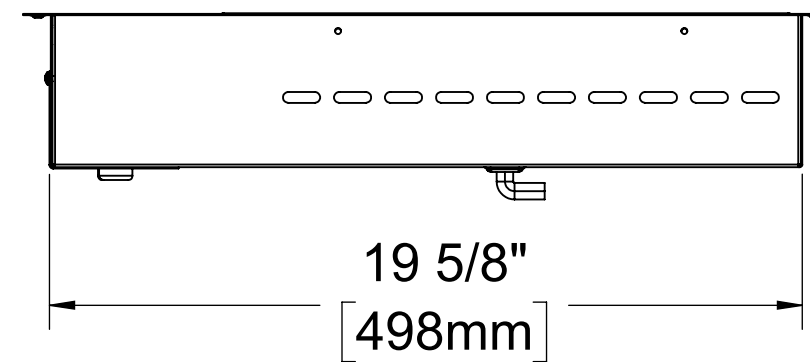
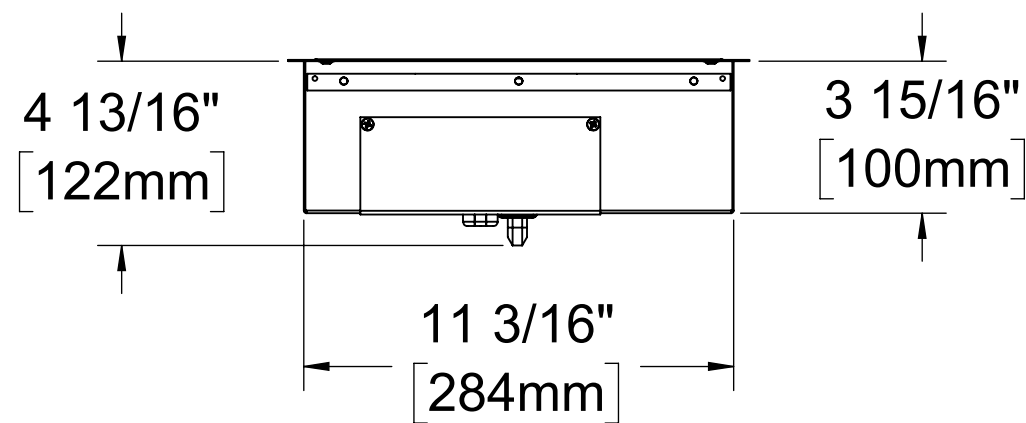
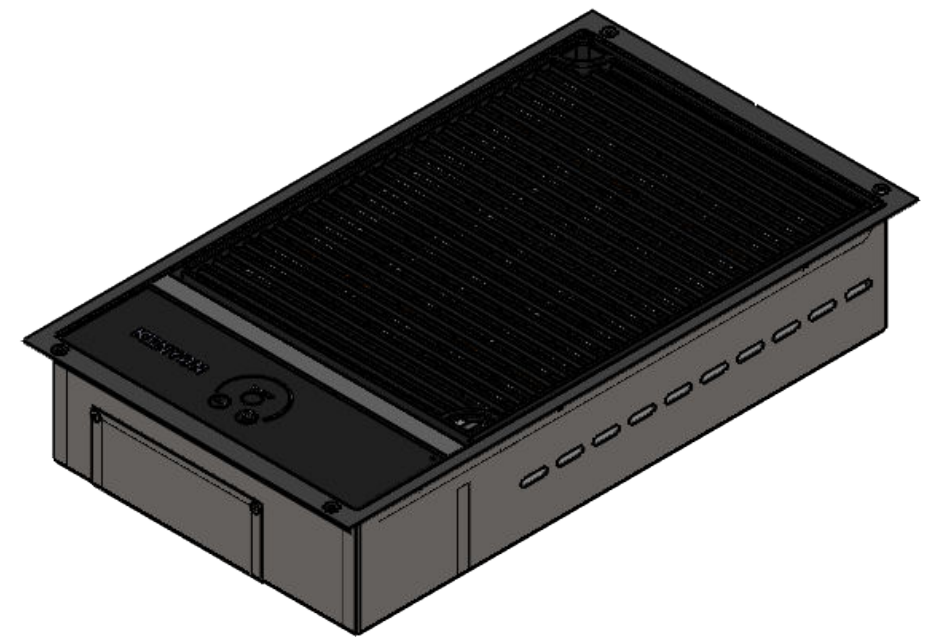
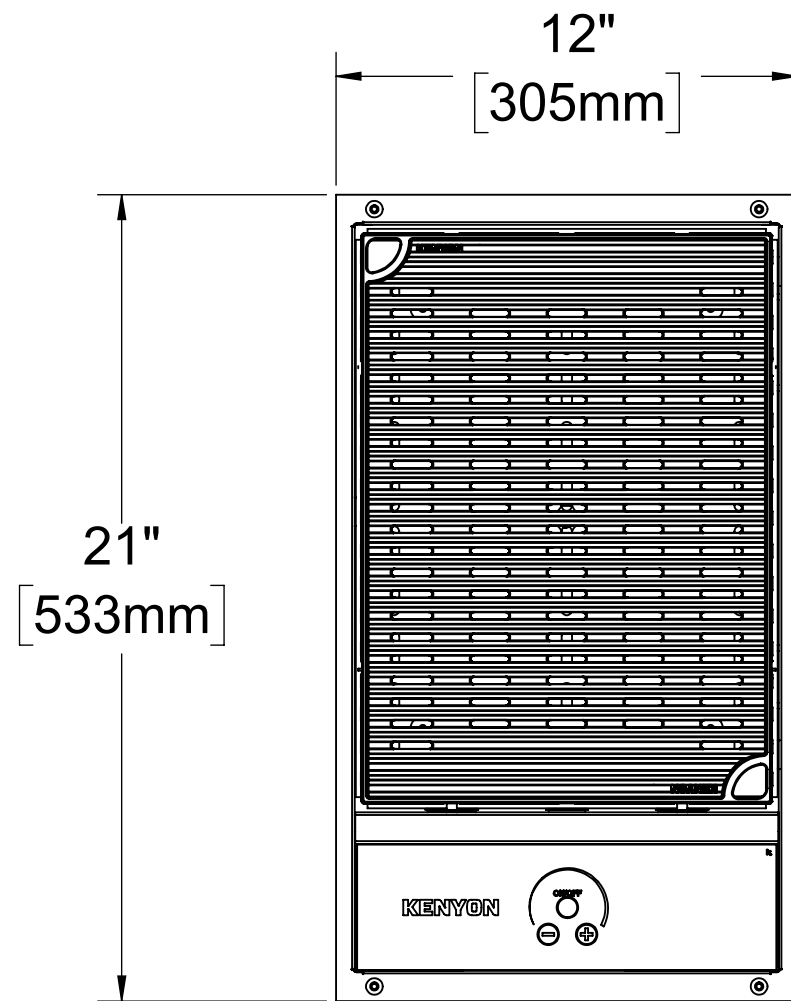
B70062XX
 B70067XX

SIZE	DWG. NO.	REV
------	----------	-----

B

SCALE: 1:4	WEIGHT:	SHEET 1 OF 1
------------	---------	--------------

PROPRIETARY AND CONFIDENTIAL
 THE INFORMATION CONTAINED IN THIS DRAWING IS THE SOLE PROPERTY OF KENYON INTERNATIONAL. ANY REPRODUCTION IN PART OR AS A WHOLE WITHOUT THE WRITTEN PERMISSION OF KENYON INTERNATIONAL IS PROHIBITED.



PROPRIETARY AND CONFIDENTIAL
 THE INFORMATION CONTAINED IN THIS DRAWING IS THE SOLE PROPERTY OF KENYON INTERNATIONAL. ANY REPRODUCTION IN PART OR AS A WHOLE WITHOUT THE WRITTEN PERMISSION OF KENYON INTERNATIONAL IS PROHIBITED.

		UNLESS OTHERWISE SPECIFIED:		NAME	DATE	KENYON INTERNATIONAL 8 HERITAGE PARK - PO BOX 925 CLINTON, CT 06413			
		DIMENSIONS ARE IN INCHES TOLERANCES: ANGULAR: MACH ± 0.50° BEND ± 1.00° TWO PLACE DECIMAL ±.01 THREE PLACE DECIMAL ±.005		DRAWN	SWS	3/15/19	TITLE: B70062		
		INTERPRET GEOMETRIC TOLERANCING PER ANSI/ASME Y14.5M-2009		CHECKED					
		MATERIAL		ENG APPR.					
		FINISH		MFG APPR.					
NEXT ASSY	USED ON			Q.A.			SIZE	DWG. NO.	REV
APPLICATION		DO NOT SCALE DRAWING		COMMENTS:			B	B70062	
							SCALE: 1:5	WEIGHT:	SHEET 1 OF 1