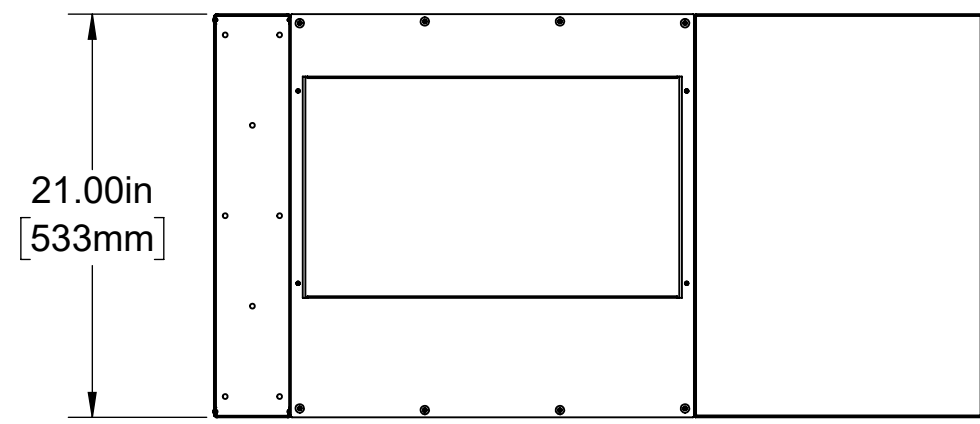
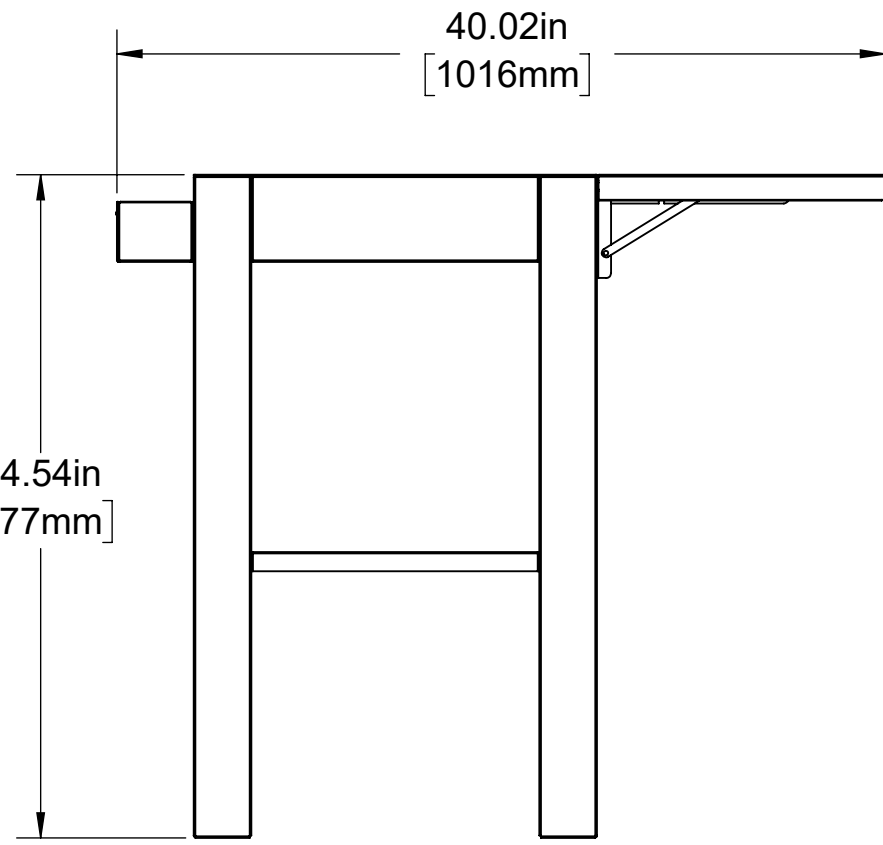


8 7 6 5 4 3 2 1

D
C
B
A

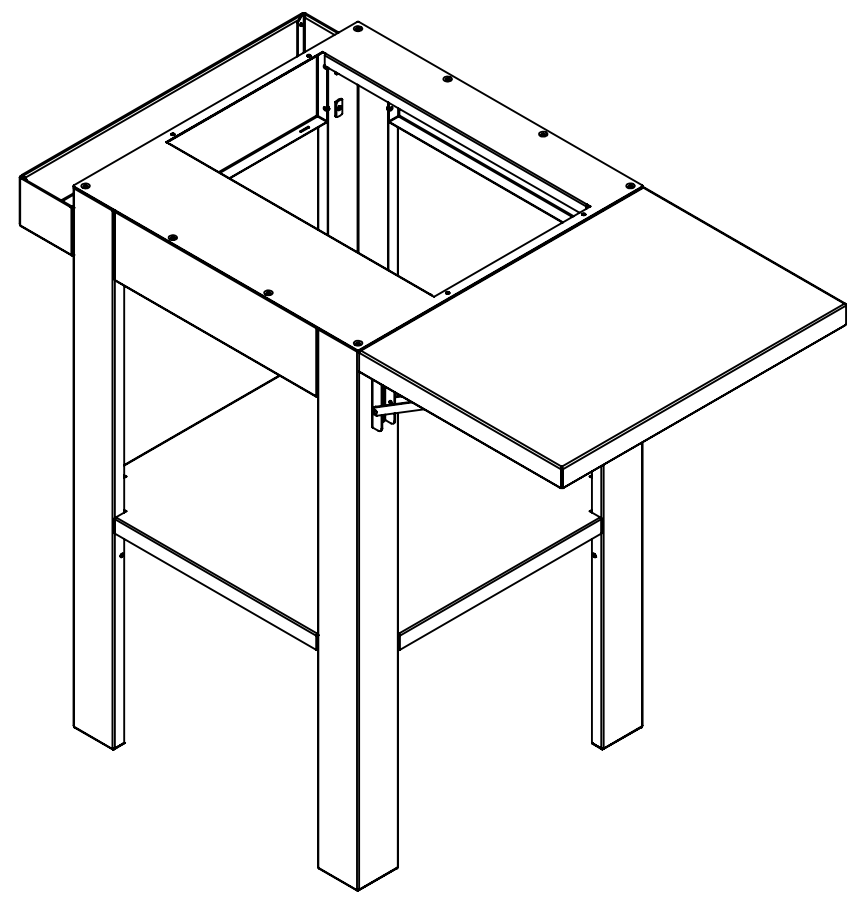


21.00in
[533mm]



40.02in
[1016mm]

34.54in
[877mm]



D
C
B
A

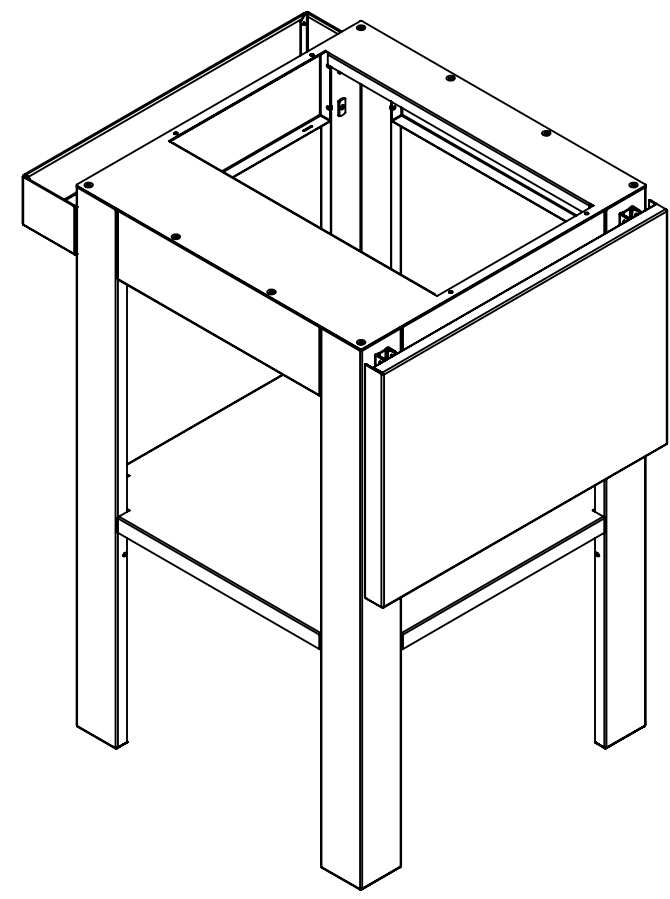
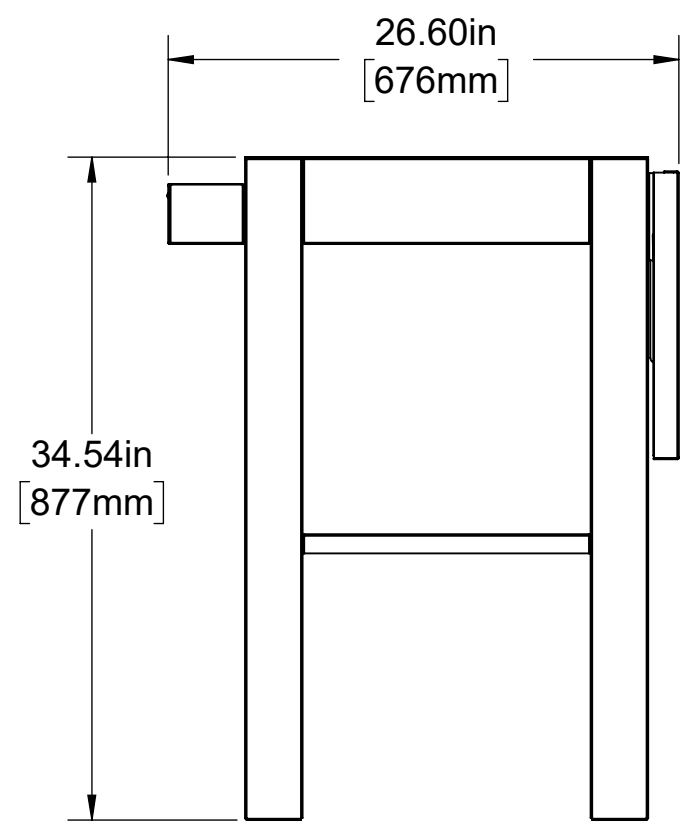
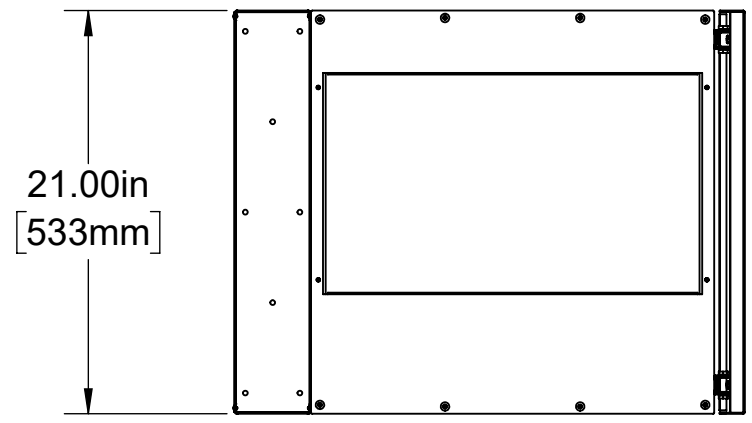
8 7 6 5 4 3 2 1

PROPRIETARY AND CONFIDENTIAL
THE INFORMATION CONTAINED IN THIS DRAWING IS THE SOLE PROPERTY OF KENYON INTERNATIONAL. ANY REPRODUCTION IN PART OR AS A WHOLE WITHOUT THE WRITTEN PERMISSION OF KENYON INTERNATIONAL IS PROHIBITED.

UNLESS OTHERWISE SPECIFIED:		NAME	DATE	KENYON INTERNATIONAL 8 HERITAGE PARK - PO BOX 925 CLINTON, CT 06413	
DIMENSIONS ARE IN INCHES		DRAWN	SWS	7/7/22	TITLE: SINGLE ZONE GRILL STAND SHELF UP
TOLERANCES:		CHECKED			
ANGULAR: MACH ± 0.50°		ENG APPR.			
BEND ± 1.00°		MFG APPR.			
TWO PLACE DECIMAL ±.01		Q.A.			SIZE DWG. NO. REV
THREE PLACE DECIMAL ±.005		COMMENTS:			B
INTERPRET GEOMETRIC TOLERANCING PER ANSI/ASME Y14.5M-2009					SCALE: 1:10 WEIGHT: SHEET 3 OF 4
MATERIAL					
FINISH					
DO NOT SCALE DRAWING					

8 7 6 5 4 3 2 1

D
C
B
A



D
C
B
A

8 7 6 5 4 3 2 1

PROPRIETARY AND CONFIDENTIAL
 THE INFORMATION CONTAINED IN THIS DRAWING IS THE SOLE PROPERTY OF KENYON INTERNATIONAL. ANY REPRODUCTION IN PART OR AS A WHOLE WITHOUT THE WRITTEN PERMISSION OF KENYON INTERNATIONAL IS PROHIBITED.

UNLESS OTHERWISE SPECIFIED:
 DIMENSIONS ARE IN INCHES
 TOLERANCES:
 ANGULAR: MACH ± 0.50°
 BEND ± 1.00°
 TWO PLACE DECIMAL ±.01
 THREE PLACE DECIMAL ±.005
 INTERPRET GEOMETRIC TOLERANCING PER ANSI/ASME Y14.5M-2009
 MATERIAL
 FINISH
 DO NOT SCALE DRAWING

	NAME	DATE
DRAWN		
CHECKED		
ENG APPR.		
MFG APPR.		
Q.A.		
COMMENTS:		

KENYON INTERNATIONAL 8 HERITAGE PARK - PO BOX 925 CLINTON, CT 06413		
TITLE: SINGLE ZONE GRILL STAND SHELF DOWN		
SIZE B	DWG. NO.	REV
SCALE: 1:10	WEIGHT:	SHEET 4 OF 4