



Read me
FIRST

www.CookWithKenyon.com

KENYON®

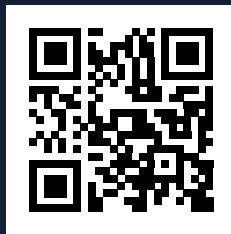
Make any day a weekend

REMOTE CONTROL ELECTRIC GRILL
OWNERS MANUAL

Part # 143735
Created: 7/9/2014
Revised: 8/23/2024

TABLE OF CONTENTS

Important Safeguards	3
How to Use Grill	
Quick Start Tips	4
Product Specifications	6
Installation Instructions	
Package Contents	7
Electrical Requirements	8
Countertop Installation	9
Drain Connection	12
Outlet Location	12
Final Preparations Prior to Use	12
Operation of Grill	
Touch Control	14
Power Cord	17
Grill Parts	18
Lid Removal	19
Warranty Information	20



SCAN TO LEARN MORE

Clean grate(s)
and drip tray(s)
before and after
use.

Always fill the drip
tray(s) with liquid
before grilling.

Preheat grill for
5-7 minutes.

Point your phone's camera at the
QR Code to view our Quick Start
Tips video for the Electric Grill.

IMPORTANT SAFEGUARDS

When using electrical appliances, basic safety precautions should always be followed including the following:

1. Read ALL instructions prior to using product.
2. Do not touch hot surfaces. Use handles or knobs.
3. To protect against electrical shock, do not immerse cord or plugs in water or other liquid.
4. Close supervision is necessary when any appliances are used near children.
5. Unplug from outlet when not in use and before cleaning. Allow to cool before putting on or taking off parts.
6. Do not operate appliance with a damaged power cord or plug. If the appliance malfunctions, discontinue use and contact the nearest authorized appliance dealer or the factory for examination, repair or adjustment.
7. The use of accessory attachments not supplied by the manufacturer of the appliance may cause injuries.
8. When used as a portable grill, store indoors when not in use. When used as a built-in grill, suitable shelter must be provided to prevent direct exposure to rain. Covers available.
9. Do not let cord hang over edge of table or counter, or touch hot surfaces.
10. Do not place on or near a hot gas or electric burner, or in a heated oven.
11. Extreme caution must be used when moving an appliance containing hot oil or other hot liquids.
12. Always attach plug to appliance first, then plug cord into the wall outlet. To disconnect, turn any control to "off", then remove plug from wall outlet.
13. Do not use appliance for other than intended use.
14. Always place a minimum of two (2) cups of water in disposable drip tray prior to grilling.
15. Never leave children alone - children should not be left unattended around the grill at any time.
16. Allow the grill to cool before taking off cooking grates, disposable drip tray or lids.
17. Fuel, such as charcoal briquettes, are not to be used with this appliance.
18. Ensure grill is installed per instructions and properly grounded by a qualified electrician.
19. Do not replace or attempt to repair any part of the grill, unless otherwise noted in this manual.
All other service is to be performed by a factory authorized technician.
20. Do not use water to extinguish a grease fire, use dry chemical fire extinguisher.
21. Do not store flammable materials near the grill.
22. Do not wear loose fitting or hanging apparel when using the grill.
23. The appliance is not to be used by persons (including children) with reduced physical, sensory or mental capabilities, or lack of experience and knowledge, unless they have been given supervision or instruction.

WARNING:

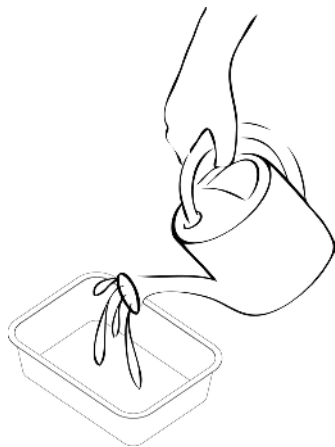
Charcoal or similar combustible fuels must be not be used with this appliance.

**PLEASE READ THESE INSTRUCTIONS IN THEIR ENTIRETY
BEFORE INSTALLATION AND USE. SAVE THESE INSTRUCTIONS**

1. Before using your grill, remove the cooking grate and drip tray from the grill. Wash the grill with warm soapy water using a non-abrasive cloth. **USE ONLY HIGH TEMP PLASTIC UTENSILS WHEN GRILLING.** Visit our web site to purchase a set of high quality stainless steel/high temp plastic grill utensils, www.cookwithkenyon.com.

2. Make sure the drip tray is inserted all the way into the bottom of grill and electric element brackets are resting on the element support bracket.

3. Cover the bottom of the drip tray with a liquid. Water is fine. **PLEASE DO NOT USE A FLAMMABLE LIQUID!** Doing so would ruin your cookout. Using apple juice if you are grilling pork adds a nice flavor to the meat. A can of lime soda is wonderful if you are grilling fish. **Just remember always add liquid to the drip tray prior to grilling.**



4. To keep your grill smoke free, always clean the grilling surface after each use. Simply wash with warm soapy water using a non-abrasive cloth or place in your dishwasher. Empty the drip tray and wipe with a damp paper towel. The disposable drip tray can be used multiple times before replacement is necessary.



5. Place your cooking grate or optional griddle (part #B96000) onto the element with drip tray installed. Use the griddle for foods such as eggs, pancakes or my favorite - stuffed french toast!

6. Preheat grill with lid closed for 5 to 7 minutes on desired heat setting for type of food.

- Steak 7-8 bars
- Hamburgers 6-7 bars
- Chicken, pork and fish 4-5 bars
- Vegetables 3-4 bars

7. Close the lid and cook. Enjoy the best grilled food you have ever tasted!

8. Clean up. Take a few pieces of paper towel and place on the grilling surface. Pour about one ounce of water on the towel and then using your high temperature nylon tongs, swab the paper toweling back and forth to loosen up the residue from your grilling. Throw the paper towel away and wipe the grate off with a dry paper towel.

9. Once the grate has cooled sufficiently, remove the grate and place in your dishwasher for a thorough cleaning.

10. With the grate removed, lift up the electric element and remove the drip tray. Empty the contents of the drip tray in an appropriate place. Wipe the tray out with a dry paper towel and reuse the tray. The tray can last for several uses.

11. Every 7-8 uses, you may want to wash the lid. They can be placed in your dishwasher and run on the pots & pans cycle. This will restore your grill to its original pristine look.

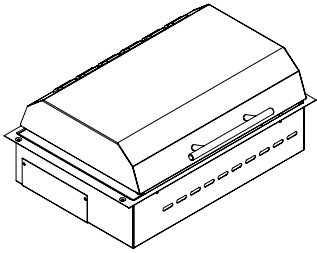
12. To clean the grill, first be sure the cooking surface has cooled enough to handle. Then remove the grate, lift up the electric element until it locks in the up position, then the drip tray.

13. Wipe the stainless steel surfaces with a damp cloth to remove any residue from previous grilling sessions.

14. Use stainless steel cleaner once a month to keep your grill looking like new. Cerama Bryte Stainless Steel Polish Kit (A70045) available at www.cookwithkenyon.com.

15. The touch control area is ceramic glass which is sealed from the effects of rain, snow and ice. To clean the glass, use a glass cleaner and soft towel. If stains appear, use a ceramic glass cleaner which can be found in your local grocery store.

PRODUCT SPECIFICATION



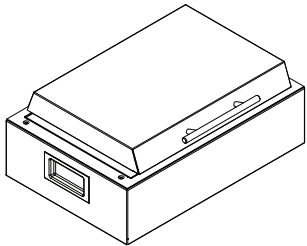
Frontier Remote Control

Model B70300 - 120V AC - 1300 WATTS - 11 AMPS

Model B70301 - 240V AC - 1300 WATTS - 6 AMPS

Overall dimensions: 18" x 12" x 5" (8 1/2" with lid)
457.2mm x 304.8mm x 127mm (216mm with lid)

Cutout dimensions: 17" x 11 1/2" with 1/4" radius corners
431.8mm x 292mm with 6.4mm radius corners

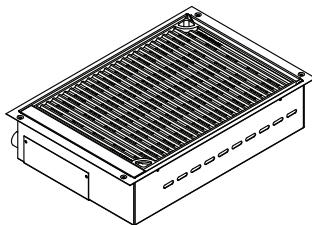


Portable with Reduced Height Lid

Model B70310 - 120V AC - 1300 WATTS - 11 AMPS

Model B70311 - 120V AC - 1300 WATTS - 11 AMPS

Overall dimensions: 18 3/4" x 12 7/8" x 7 3/4"
276.3mm x 327mm x 196.9mm



No Lid Remote Control

Model B70360 - 120V AC - 1300 WATTS - 11 AMPS

Model B70361 - 240V AC - 1300 WATTS - 6 AMPS

Model B70362 - 120V AC - 1300 WATTS - 11 AMPS

Overall dimensions: 18" x 12" x 5"
457.2mm x 304.8mm x 127mm

Cutout dimensions: 17" x 11 1/2" with 1/4" radius corners
431.8mm x 292mm with 6.4mm radius corners

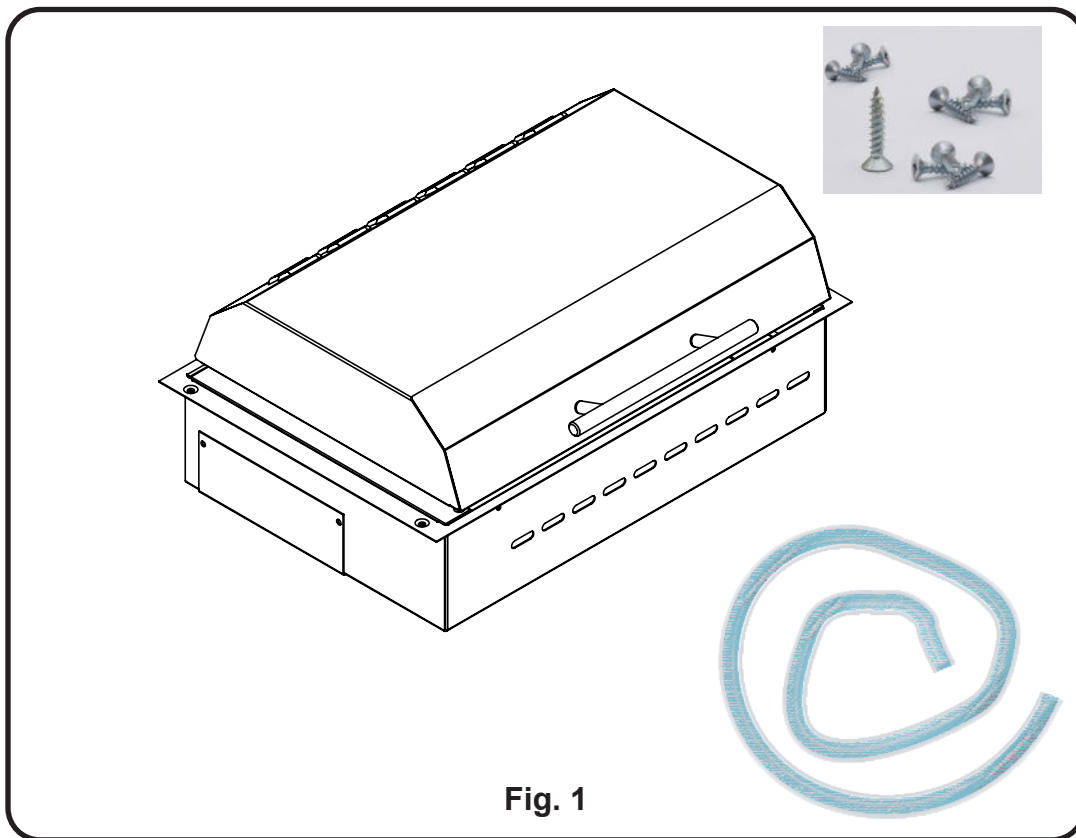
INSTALLATION

Package Contents

Your All Seasons® Remote Grill is assembled and ready for use. Before you use the grill write your unit's serial number here for future reference: _____. The serial number can be found on the short side of the grill at the end with the glass control panel. The serial number consists of six digits.

Included in the shipping container is the All Seasons® Remote Grill, four (4) mounting screws, three (3) feet of drain hose, elbow fitting and drain hose for built-in only, remote control, cable assembly, and manual. Portable grill drain fitting comes with a plug.

If portable grill owners would like to install elbow fitting and hose instead of plug please contact KENYON. If any components are missing or damaged, call KENYON immediately.



Electrical Requirements

Check the Electrical Supply Requirements

This product must be installed in accordance with national, state and local electric codes.

The following table provides the correct voltage, amperage and frequency that must be supplied to the grill.

The supply must be from an individual grounded circuit that is protected by a circuit breaker and rated per the specifications for the model as shown in the table below.

KENYON Part #	Max Load	Power Supply	Plug Type	Cord Dimension
B70300 B70310 B70360 B70362	1300 Watts	120V AC 11A 60Hz	3 prong cord with GFCI 3 prong cord 3 prong cord with GFCI 3 prong cord	86" (2184mm) 63" (1600mm) 86" (2184mm) 63" (1600mm)
B70301 B70311 B70361	1300 Watts	240V AC 6A 60Hz	3 wire cord no plug	67" (1702mm)

WARNING:

If the electrical supply does not meet the product specifications, consult with a licensed electrician before proceeding with installation!

Do not remove the GFCI device from the supplied power cord under any circumstances.

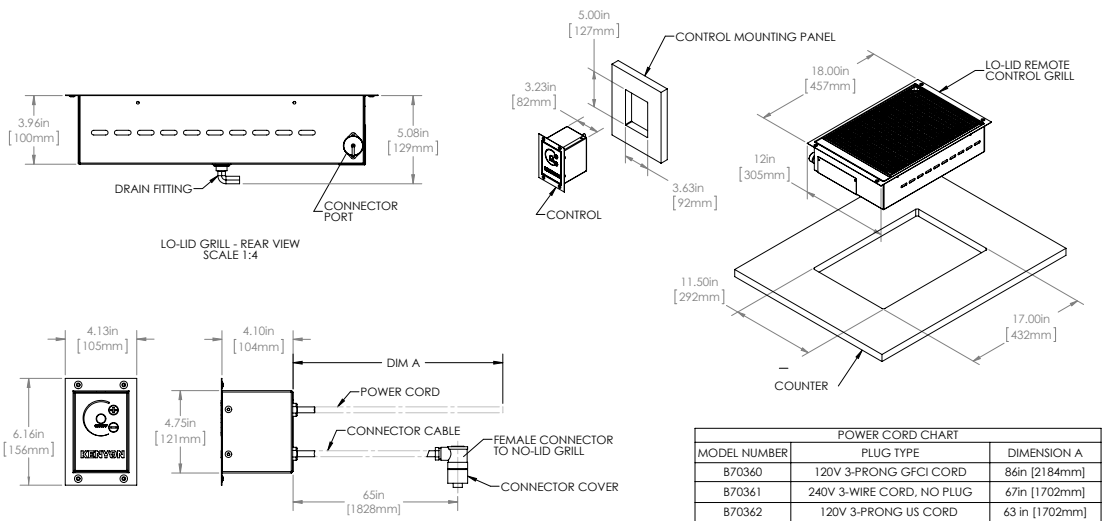
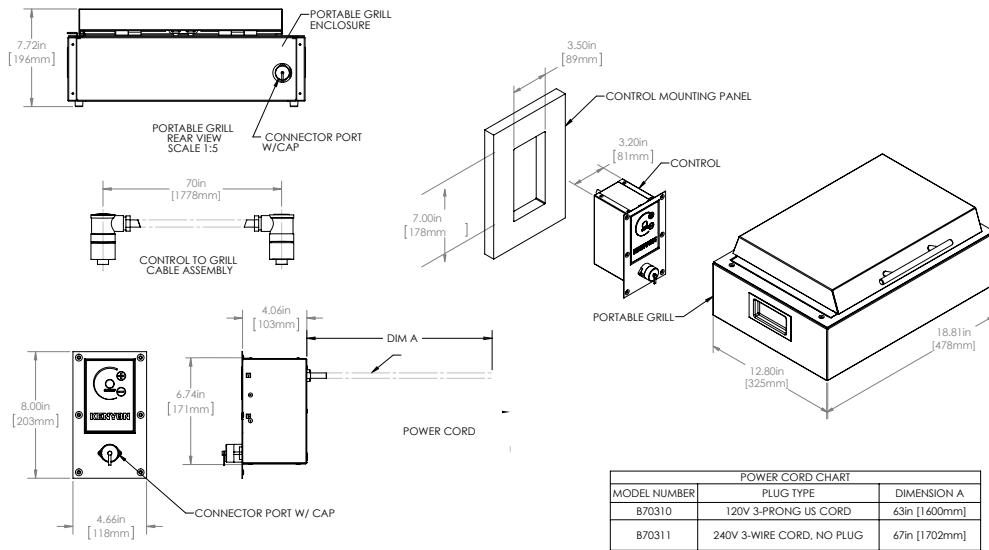
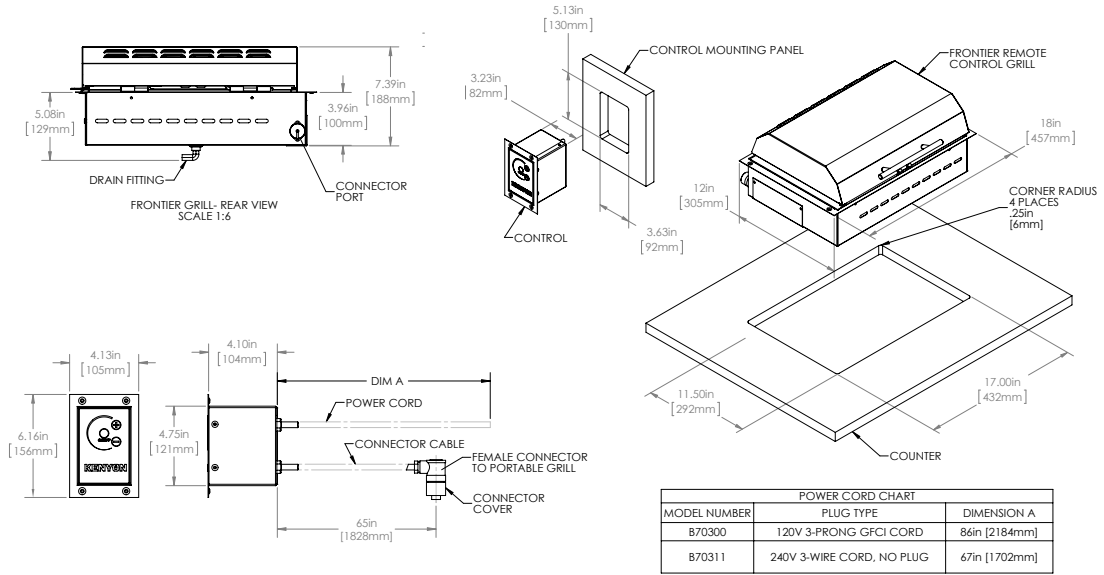
Countertop Installation

Your All Seasons® Grill and remote are supplied with a factory installed polished stainless steel flanges that accept oval head wood screws for mounting. The trim flanges of the grill and control are designed to hold the unit firmly in place in the countertop. Seal the edge of the countertop beneath both trim flanges. **Using a soft bedding compound that will prevent damage if later removal for service is necessary. We recommend a nonadhesive type of sealant, such as plumber's putty, *maximum compressed thickness of 1/16"*.**

WARNING:

Allow a 2 inch (2") minimum clearance between the bottom of the grill and combustible surface located below, ie: the upper edge of a drawer installed below the grill (Fig. 3, page 12). Failure to provide proper clearances and ventilation may result in a fire hazard.

Countertop and control cutout dimensions for each model are shown below:



Please read this section prior to making cutout for the grill and remote control.

It is important to plan ahead for installation of the grill, keeping the following dimensions in mind (**please refer to Fig. 2 below**).

A - 13 inches maximum depth of overhead cabinets

B - 36 inches is minimum height of counter top above floor

C - The minimum flat countertop surface that the grill will rest upon must be equal to or greater than the overall grill dimensions (refer to the page 8 for overall grill dimensions).

D - 30 inches minimum clearance between the top of the grill and the bottom of an unprotected wood or metal cabinet or 24 inch minimum clearance when the bottom of wood or metal cabinet is protected by not less than 1/4 inch thick flame retardant mill board covered with not less than No. 28 MSG sheet steel, 0.015 inch thick stainless steel, 0.024 inch thick aluminum or 0.020 inch thick copper.

E - 4 inches minimum from backsplash of countertop to edge of grill (refer to the page 8 for overall grill dimensions). 1-1/2 inches minimum from front of counter to grill.

F - Placement of the remote control - Layout design considerations for installation:

- Within easy reach of the operator, and to avoid the operator reaching over hot surfaces to activate the control
- Mounted on a flat horizontal or vertical surface
- Out of direct sunlight and direct water spray as much as possible
- Clearance of structural members, internal cabinet or wall framework, depth of control distance behind the control mounting panel, and power cord and connector cable routing access.
- Clearance of plumbing or other fixtures or installations.
- Within range of the connector cable attachment to grill
- Within range of power supply cord connection
- For portable grills, range of locations of grill placement and connector cable routing by the operator to avoid unsafe operation

FOR INSTALLATIONS IN CANADA: "Do Not Install Closer Than 1/2 Inch (13 mm) From Any Adjacent Surface", and **NE PAS INSTALLER A'MDINS DE 13MM DETOUTE SURFACE ADJACENTE.**

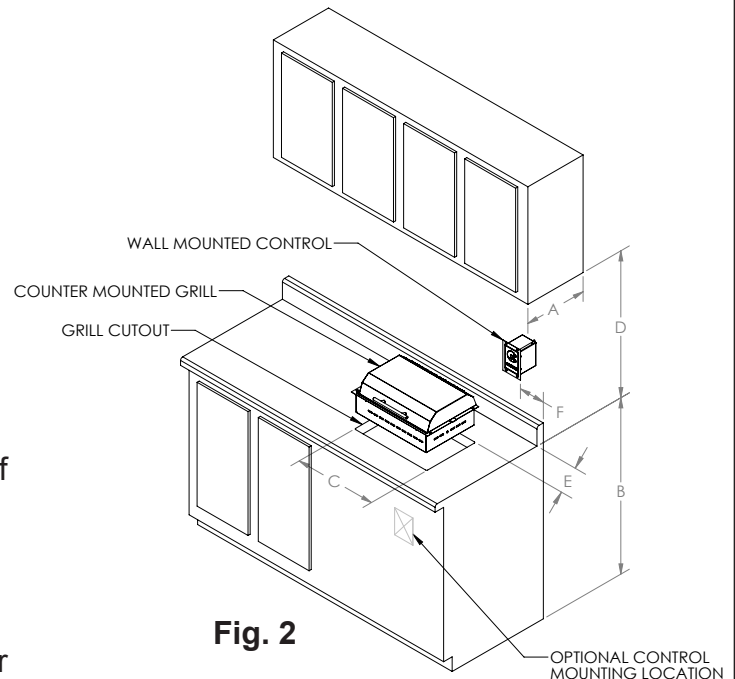


Fig. 2

WARNING:

To eliminate the risk of burns from reaching over heated grill, cabinet storage space located above the grill should be avoided. If cabinet storage is to be provided, the risk can be reduced by installing a range hood that projects horizontally a minimum of 5 inches beyond the bottom of the cabinets.

Before making the countertop cutout, check for clearance. Check to see that the grill will clear the front and side walls of the base cabinet. Also check for proper clearance to the back splash so that the lid can open fully.

Adequate ventilation of the space below the countertop must be provided to ensure proper operation of the grill. Heat transferred from the grill bottom pan during operation will overheat an improperly ventilated area.

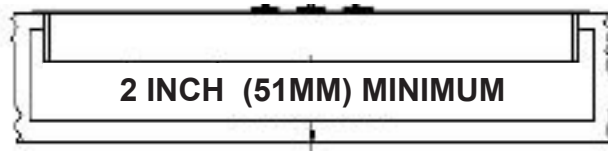


Fig. 3

Since the appliance requires a sufficient supply of fresh air to operate at maximum performance, the cabinet must be designed accordingly. The following is required for this:

- The cabinet must have a minimum of two openings; one to allow fresh air to enter and the other for hot air to escape the cabinet.
- Opening sizes must be equal to 8 square inches each. This is for ambient temperatures of 85°F / 30°C and below. If the ambient temperature around the appliance is above 85°F / 30°C then larger ventilation opening sizes may be required.

When making countertop cutout, radius the corner to help prevent cracking of the countertop material. A 1/4 inch radius is typical, but follow the countertop manufacturer's instructions regarding the minimum radius and any reinforcements required to prevent damage to the countertop over time.

Use Plumber's Putty to seal grill to countertop. Plumber's Putty is a soft, pliable sealing compound that is used to make watertight seals around faucets, drains, and other plumbing parts. The putty is hidden under the flange, lip, or edge of the grill and is not visible when the grill is installed. If caulk were used instead of putty, it would be difficult to access these areas to cut through the caulk to remove the part.

Plumber's Putty is a very inexpensive material that is sold in small plastic tubs. It is always shaped by hand before it is applied to the plumbing part. Follow the basic instructions on the container of the Plumber's Putty. If your countertop is made of granite, marble, quartz, sandstone or Corian use a stain-free Plumber's Putty to prevent the staining of the countertop.

Drain Connection

For your convenience, the grill is equipped with a 1/8" NPT brass pipe fitting and 90° brass elbow which you can attach the 1/4" ID flexible hose that came with your grill. The portable version of the grill comes with a brass pipe plug. If you are using your grill as a portable unit, remove the hose and fitting, install the plug, and save the hose and 90° brass fitting for possible installation in the future.

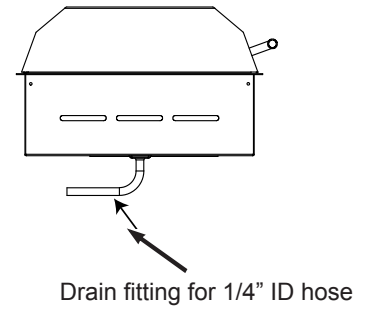
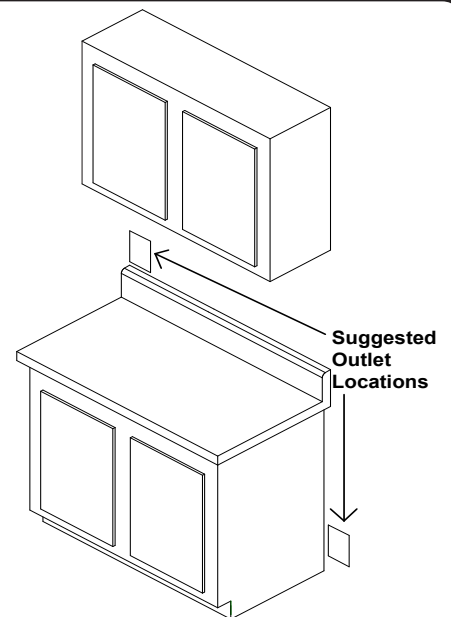


Fig. 4

Outlet Location

Be sure the electrical outlet intended for the grill is in an easily accessible location. This allows the user to easily plug and unplug the grill. This is necessary to ensure safe cleaning and storage of the grill.



Final Preparations Prior to Use

Remove the protective plastic film from the lid, trim flange and glass panel. Clean the grill before you use it for the first time. A thorough cleaning with a stainless steel or glass cleaner will remove any traces of plastic film adhesives and manufacturing oils.

Wash the nonstick coated grates in warm soapy water before using the grill.

OPERATION OF GRILL

DO NOT USE WATER ON GREASE FIRES

Smother fire or flame or use dry chemical or foam-type extinguisher.

USE ONLY DRY POT HOLDERS

Moist or damp pot holders on hot surfaces may result in burns from steam. Do not let pot holder touch the grate or element of the grill. Do not use a towel or other bulky cloth in place of a pot holder.

DO NOT COOK ON BROKEN GRILL GRATE OR GRIDDLE

If the grate should break, grease and oils may come into direct contact with the electric element and create a risk of electric shock or fire. Contact an authorized service center or KENYON Customer Care immediately at (860) 664-4906.

CLEAN GRILL WITH CAUTION

If a wet sponge or cloth is used to wipe spills on a hot cooking surface, be careful to avoid steam burns. Some cleaners produce noxious fumes if applied to a hot surface. Read the cleaner label for details prior to using.

DO NOT TOUCH HEATING ELEMENT OR GRATE

The heating element and grate will be hot for some time after cooking. These components should be allowed to cool and then be handled with care and caution while cleaning, as they may be hot enough to cause severe burns.

CLEAN GRILL AFTER EACH USE

This appliance is equipped with a removable, disposable drip pan. This pan **MUST** be removed and cleaned after each and EVERY use. Do not allow grease to accumulate between cooking. The grease pan and baffle tray **MUST** be used when cooking on the grill. Excessive grease may spill over into the interior of the grill, voiding your warranty and posing a fire hazard.

NEVER LEAVE GRILL UNATTENDED AT HIGH HEAT SETTINGS

High heat setting may cause heavy smoking and ignite grease.

DO NOT CLEAN UNIT WITH PRESSURIZED WATER

Never clean the grill with any form of pressurized water or other types of cleaners. Doing so will void the warranty and may pose a serious risk of electric shock. Always clean the grill with a cloth and a stainless steel or glass surface cleaner.

STORAGE

When used as a portable grill, store indoors when not in use. When used as a built-in grill, suitable shelter must be provided to prevent direct exposure to rain. Covers available at www.cookwithkenyon.com.

TO PREVENT SMOKE

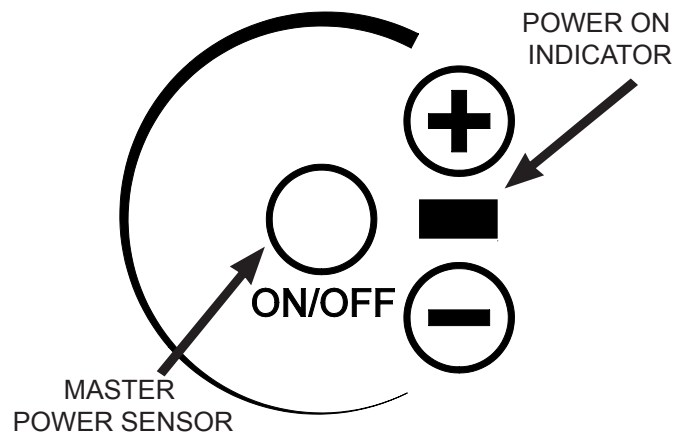
To prevent the contents of the grease pan from smoking, place 2 cups of water (or enough to cover the bottom of the pan) in the grease pan before cooking.

DO NOT USE POTS OR OTHER BAKEWARE ON THE GRILL

KEEP THESE INSTRUCTIONS WITH THE GRILL FOR FUTURE REFERENCE

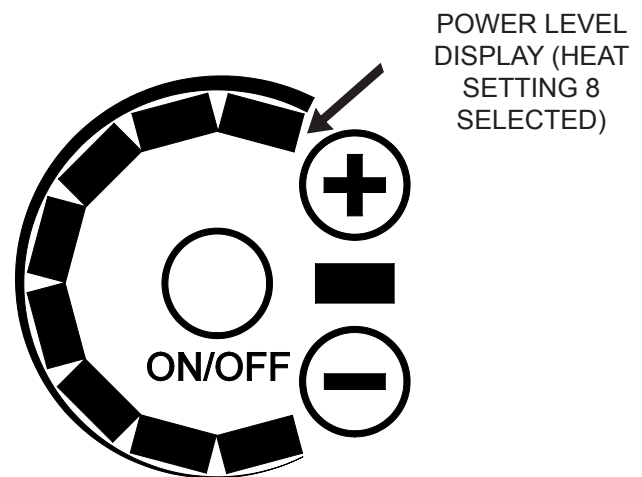
ENERGIZING THE GRILL

To turn the grill ON, touch and hold the Master Power Sensor for two seconds. The controller will then beep and the Power On Indicator will illuminate.



HEAT SETTINGS

Your KENYON grill has 8 different heat settings, from 1 through 8, selected using the (-) and (+) sensors. The heat setting is displayed as shown at the right. The heating element cycles at different time intervals to vary the heat level. As the setting is increased, the heating element will remain on for a longer period, increasing the cooking temperature of the grill.



TURNING "OFF" THE GRILL

To turn off the grill, simply **touch and hold** the Master Power Sensor for **two seconds**. The controller will de-energize and shut off the heating element.

IN AN EMERGENCY THE 120V GRILL CAN BE TURNED OFF BY PRESSING THE "TEST" BUTTON ON THE GFCI. REFER TO FIG. 5.

AUTOMATIC SHUT-OFF

The electronic control of your KENYON grill has been programmed with safety in mind and features an automatic shut-off. The grill is programmed to shut down after a predetermined time after being energized (see table below). The control will also shut off if it reaches a preset temperature limit. If this occurs, allow the grill to cool down for 20-30 minutes.

PREHEAT AND AUTO SHUT-OFF TIME

The grill control has a preheat function which applies full power for a set amount of time for each power setting selected. This preheat function brings the grate/griddle to the desired grilling temperature quicker thus allowing you to begin grilling quicker. The table below provides the preheat time and auto shut-off time for each power setting.

SETTING	PREHEAT TIME (min)	AUTO SHUT-OFF (min)
1	1	90
2	3	90
3	5	90
4	5	60
5	7	60
6	7	60
7	7	60
8	8	60

TEMPERATURE GUIDE

The following is meant to be a guideline. Individual results may vary depending on conditions. Factors such as wind, and outside temperatures, food temperature when placed on grill can affect cooking times. The grill is designed and engineered for optimal cooking performance with the lid down or closed.

SETTING	FOOD TYPES
1	Fried eggs on griddle
2	Pancakes - French toast on griddle
3	Vegetables
4	Vegetables - Fish
5	Fish - Chicken
6	Chicken - Hamburgers
7	Hamburgers - Steaks
8	Steaks

Power Cord

THIS PERTAINS TO 120V GFCI MODELS ONLY

GROUND FAULT CIRCUIT INTERRUPTER (GFCI)

The GFCI is a safety device designed to protect the user from any electrical shock hazard.

INDICATOR LIGHT

The indicator light will stay illuminated when electrical power is applied and indicates that the GFCI is working properly.

TEST/EMERGENCY OFF BUTTON

Pressing this button will test the GFCI. The indicator light will go out and electrical power will not be supplied to the grill. The GFCI should be tested monthly.

RESET BUTTON

Pressing this button will reset the GFCI to its normal function. The indicator lamp will illuminate and electrical power will be supplied to the grill. If the indicator lamp does not illuminate, the GFCI has detected a malfunction. Unplug the GFCI from the receptacle and do not use the grill.

GROUNDING 3-PRONG PLUG

CAUTION - To ensure continued protection against risk of electric shock, the GFCI must be plugged into a properly grounded receptacle.

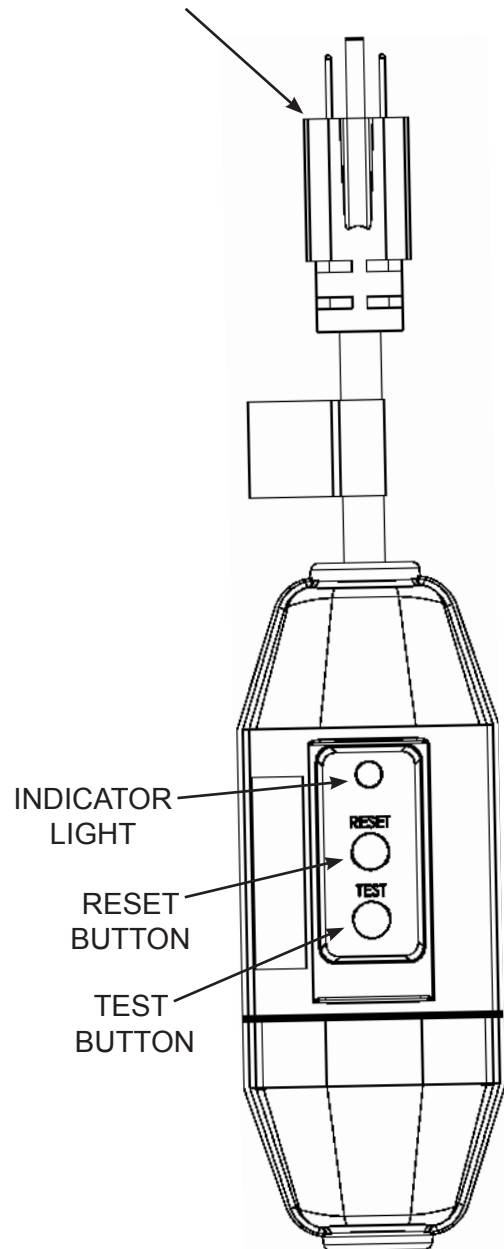
DO NOT USE AN EXTENSION CORD

240V MODELS

GROUND FAULT CIRCUIT

The supply voltage circuit (240V) should be equipped with a ground fault circuit interrupter. Check local codes for compliance.

GROUNDING 3-PRONG PLUG



GROUND FAULT
CIRCUIT INTERRUPTER
GFCI

Fig. 5

Grill Parts

HEATING ELEMENT

The heating element is designed to pivot as shown to remove/replace the baffle tray and drip tray. It will stay in the up position. To put down apply slight downward pressure.

BAFFLE TRAY

The baffle tray supports the drip tray, heating element and grate and must always be used when operating the grill.

DRIP TRAY

The disposable drip tray collects all the fat and juices created during the cooking process. The drip tray must be emptied after each use. When replacing the drip tray, position the drip tray so that it is completely contained inside the baffle tray and insuring that the side or the rim of the drip tray does not protrude outside of the baffle tray. (see Fig. 6)

To prevent the contents of the drip tray from smoking, place 2 cups of water (or enough to cover the bottom of the pan) in the drip tray before cooking. The replacement for the disposable drip tray is Kenyon part #B96001.

GRATE

The grate **must** be cleaned after every use. The grate has a nonstick coating for ease of cleaning. Wash the grate after each use in warm soapy water.

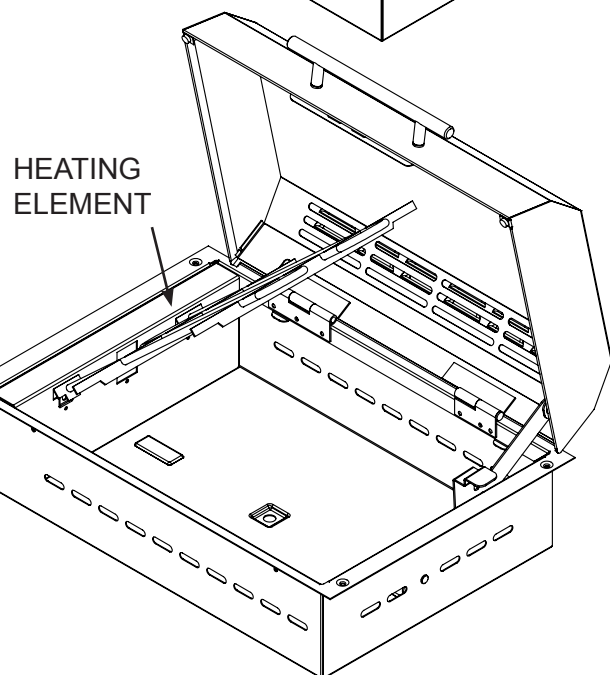
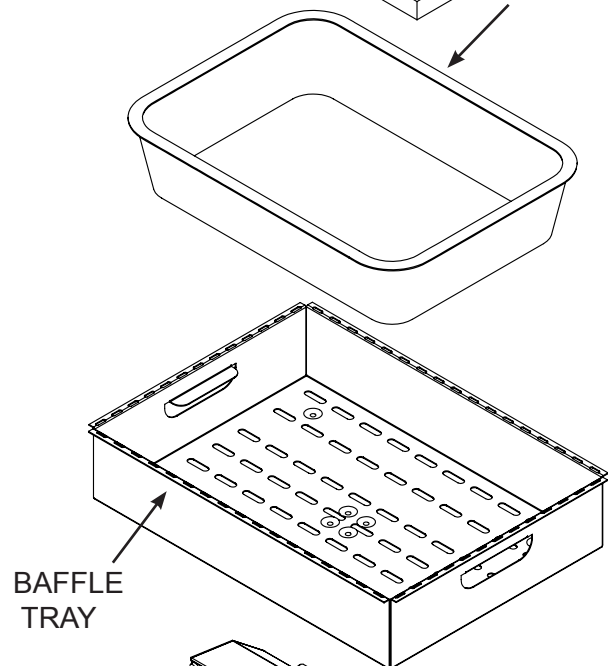
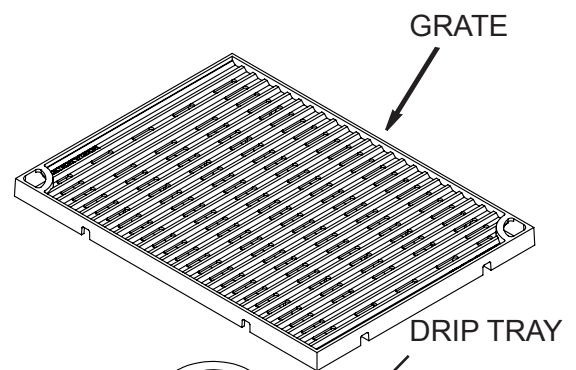
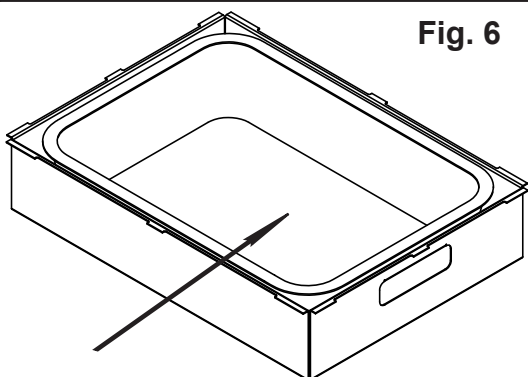


Fig. 6



DRIP TRAY MUST BE CONTAINED
INSIDE OF BAFFLE TRAY AS SHOWN

Lid Removal

LID REMOVAL

The grill lid is removable for cleaning. To remove the lid, slide the quick release pin out of the hinge. (see Fig. 7)

With the quick release pin removed, grasp the lid, lifting on the left side to clear the hinge and slide it the left until clear of the hinge pin on the right. (see Fig. 8) Once the lid is removed, it can be washed in warm, soapy water.

Fig. 7

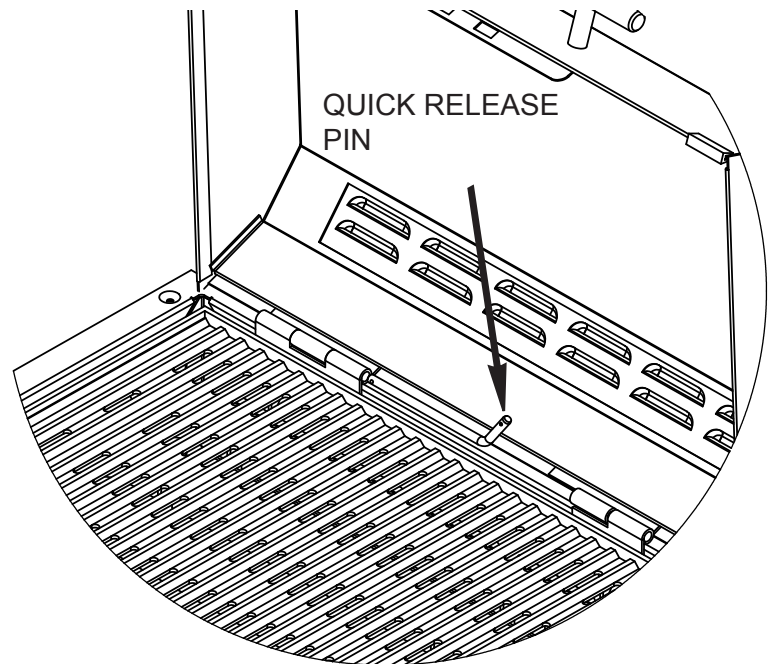
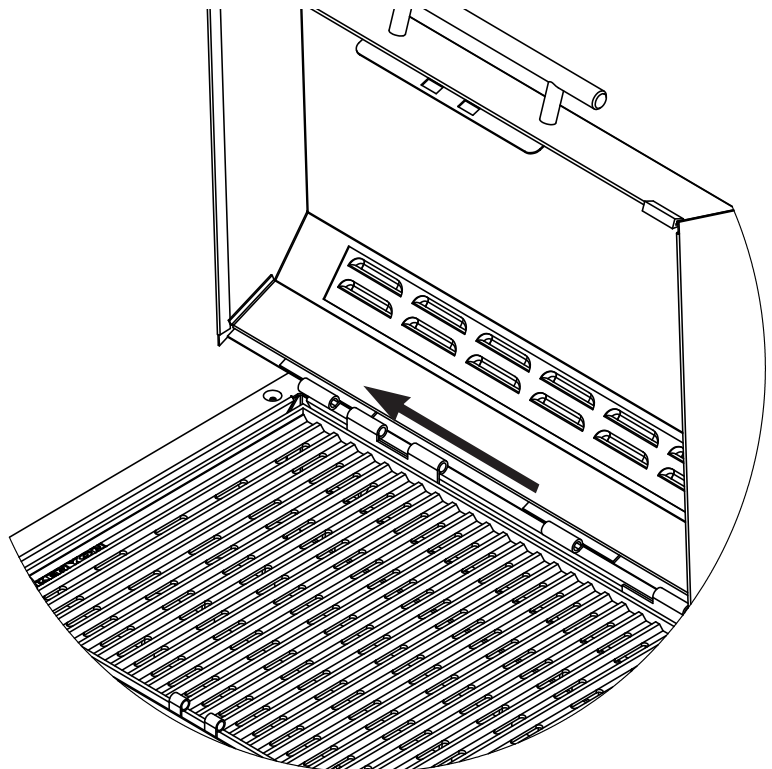


Fig. 8



Kenyon International, Inc (the "Company") warrants its products in normal usage to be free of defects in materials and workmanship subject to the conditions and limitations below. Any part, which proves to be defective in normal usage during the warranty period will be repaired or replaced by the Company.

In order for product to be covered under this warranty it must be returned to the Company for evaluation. Please contact support@cookwithkenyon.com for return instructions.

This warranty covers certain products built by the Company and is subject to the following conditions and limitations:

1. The Company's liability shall be limited to repair or replacement (choice of remedy at Company's option) of electronic components as may be defective in materials or workmanship. This liability is limited to three years from the date of original installation or 42 months from invoice date, whichever comes first; this warranty covers parts and labor at pre-approved rates. Stainless steel is warranted with a lifetime guarantee to be rust free when cared for monthly as outlined in owner's manual. If corrosion begins, contact the Company with photo evidence of corrosion for replacement components.
2. Determination of suitability of the product for the use contemplated by the Buyer is the sole responsibility of the Buyer and the Company shall have no responsibility in connection with such suitability.
3. The Company shall not be liable for any damage resulting from:
 - failures due to use of the product in applications for which they are not intended;
 - failures due to corrosion, wear and tear, abuse, neglect, improper installation or maintenance;
 - failures due to breakage of glass, accidental or otherwise.
4. The Company shall be responsible for ground shipping charges to the location of the appliance (home) within the Continental United States and Canada. Any duties, express or special shipping charges are at the expense of the Buyer.
5. All labor allowed by the Company under this warranty must be pre-authorized and performed by an Authorized Kenyon International Service Center, unless otherwise specified in writing by the Company.

THERE ARE NO OTHER WARRANTIES OF MERCHANTABILITY, FITNESS FOR PURPOSE OR ANY OTHER KIND, EXPRESSED OR IMPLIED AND NONE SHALL BE IMPLIED BY LAW. The duration of any such warranties that are nevertheless implied by law for the benefit of a consumer, shall be limited to a period of three years from original purchase by the user. Some countries do not allow limitations on how long an implied warranty lasts, so this limitation may not apply to you.

THE COMPANY SHALL NOT BE LIABLE FOR CONSEQUENTIAL OR INCIDENTAL DAMAGES ARISING FROM THE BREACH OF THIS WARRANTY, WHETHER EXPRESSED, IMPLIED OR STATUTORY. Some countries or states do not allow exclusion or limitation of consequential or incidental damages so this limitation or exclusion may not apply to you.

THIS WARRANTY GIVES YOU SPECIFIC LEGAL RIGHTS AND YOU MAY ALSO HAVE OTHER LEGAL RIGHTS THAT MAY VARY FROM COUNTRY TO COUNTRY AND STATE TO STATE.

Kenyon International, Inc.
P.O. Box 925 • 8 Heritage Park Road • Clinton, CT 06413 USA
Phone (860) 664-4906 FAX: (860) 664-4907