



Read me
FIRST

www.CookWithKenyon.com

KENYON[®]

Make any day a weekend

KENYON TEXAN STAND

ASSEMBLY INSTRUCTIONS

Part # 145593
Created: November 2, 2020
Revised: August 8, 2023

PLEASE READ THESE INSTRUCTIONS IN THEIR ENTIRETY BEFORE USE. SAVE THESE INSTRUCTIONS FOR FUTURE REFERENCE.

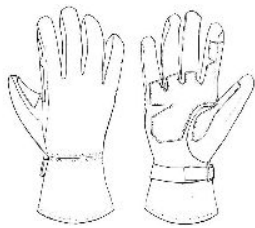
ITEMS REQUIRED



Phillips Head Screwdriver



Hex Screwdriver (Included)



Gloves and a Helping Hand Strongly Recommended

Thank you for choosing **Kenyon**, the world's leading manufacturer of specialty cooking appliances. By following the instructions in this assembly manual, your grill stand will provide you with many years of reliable service.

HARDWARE



S1 (24X)
#8-32 x 5/16"
Hex Drive

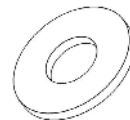


N1 (4X)
Square Head
Push in Nut

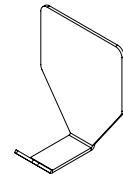


S2 (9X)
#6-32 x 1/2"
Phillips Head

IMPORTANT: These **S2 (9x)** screws replace the hardware that comes in the box of your Texan Grill.



W1 (4X)
White
Washer



Hooks (4X)



E1 (4X)
Elevator Bolt
Optional

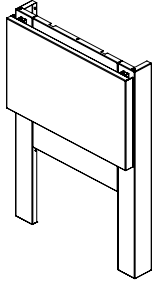
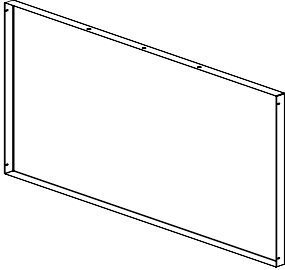
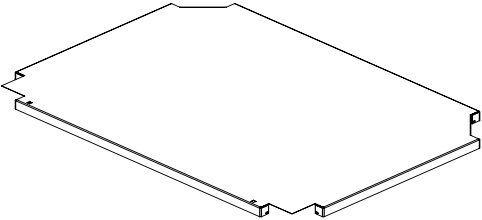
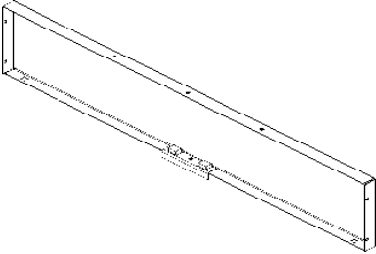
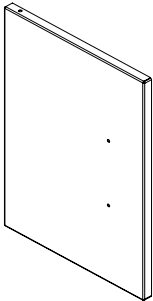
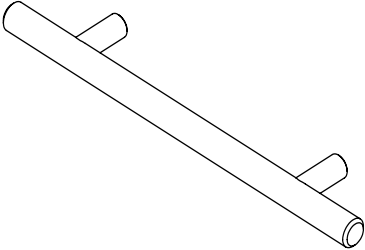


S4 (4X)
1/4" x 1-1/4"
Hex Head
Optional



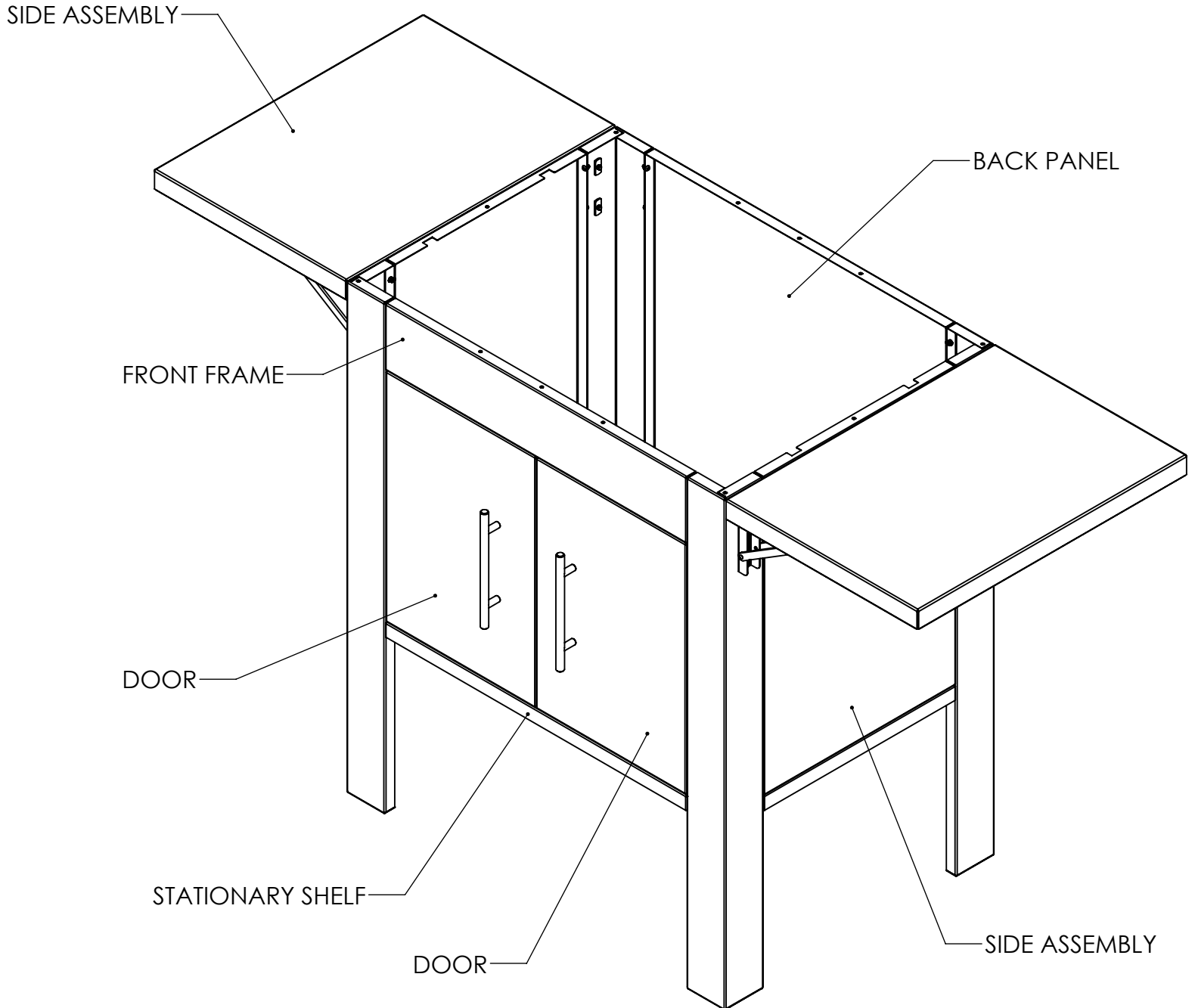
Casters (4X)
Optional

Part Lists

SIDE ASSEMBLY (2X)	BACK PANEL
	
STATIONARY SHELF	FRONT FRAME
	
DOORS (2X)	HANDLE (2X)
	

If any components are missing or damaged, please call KENYON Customer Service at 860-664-4906.

Assembled Stand



Instructions

Assembling Texan Stand

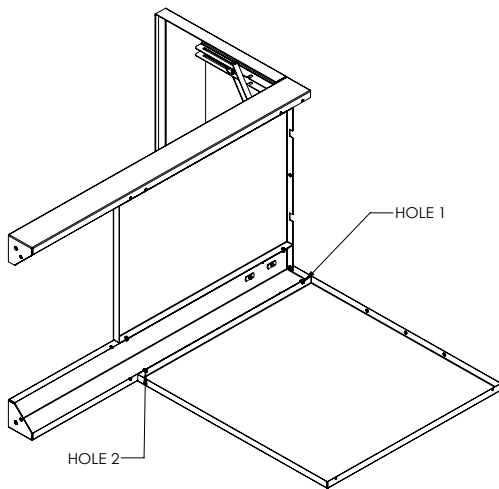
- 1 Assemble stand on a carpet or soft surface to avoid any dents or scratches.

Kenyon recommends using gloves during assembly.

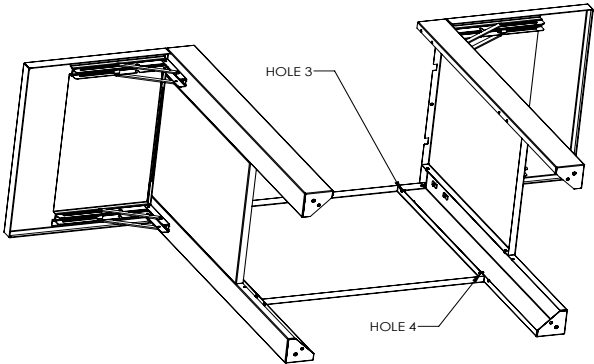
Unpack stand parts carefully, lay the parts out to check for shipping damage.

- 2 Place 1X Side Assembly and Back Panel on flat surface as shown in the picture below. Align the top hole on the Back Panel with the top hole of the Leg (contained in Side Assembly) Fasten 2X screw S1 to corresponding hole 1 and hole 2 on the Back Panel.

Use: 2X Screw S1

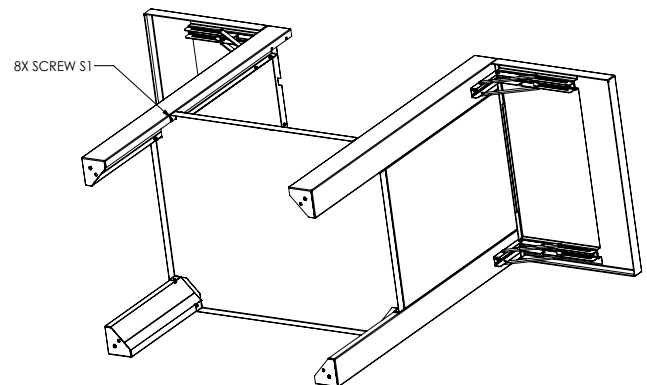


- 3 Align the remaining 1X Side Assembly with the Back Panel as shown in the picture below. Fasten 2X screw S1 to corresponding hole 3 and hole 4 on the Back Panel.



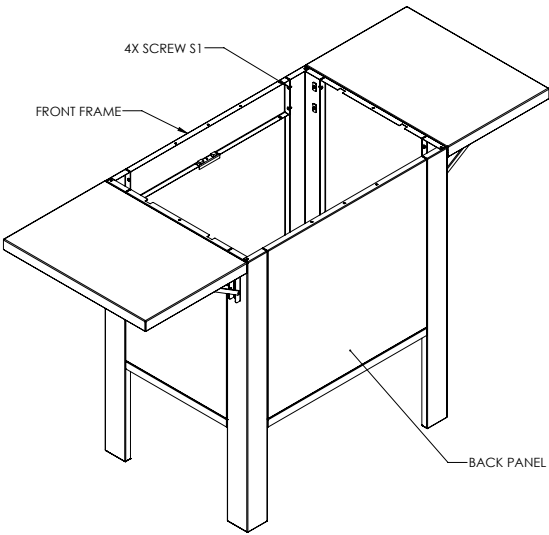
- 4 Remove vinyl covering from the Stationary Shelf before installation. Slide the Stationary Shelf in between the legs of the stand as shown in the picture below. Be sure the orientation of the Stationary Shelf is correct. The square holes and the magnets on the bottom of the Stationary Shelf should be opposite the Back Panel. Fasten 8X screw S1 to the 2 holes in each of the 4 legs. Do not fully tighten screw S1 until all 8X screws are fastened to the legs.

Use: 8x Screw S1

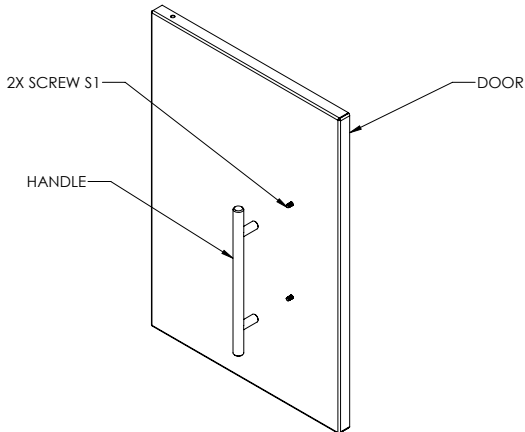


Instructions

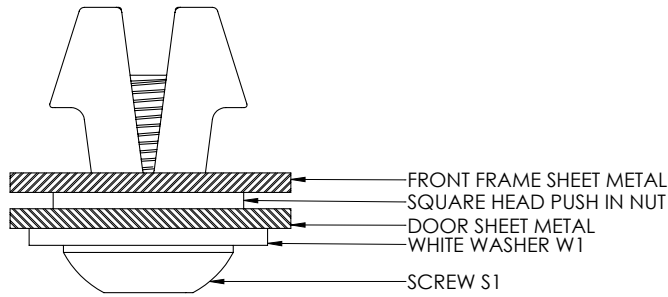
- 5** Align the Front Frame with the top of the 2 Legs opposite the Back Panel as shown in the picture below. Fasten 4X screw S1 to each corresponding hole in the Front Frame. Do not fully tighten screw S1 until all 4X screws are fastened to the legs
Use: 4X Screw S1



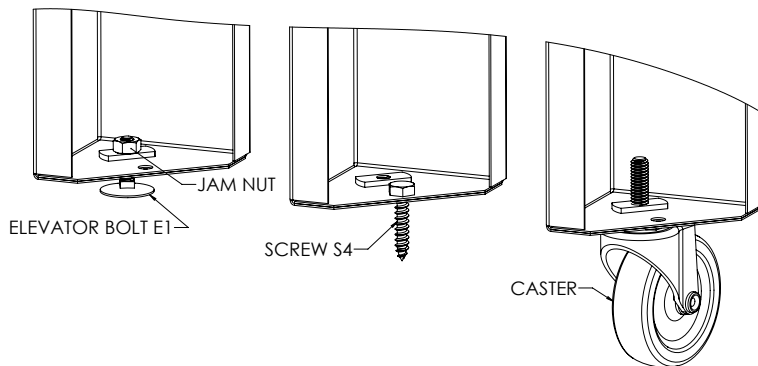
- 6** Next, fasten the handles to the Doors. Take one screw S1, put it through the hole on the inside face of the Door. Take the handle assembly and fasten screw S1 into one of the handle legs. Fasten the other screw S1 into the other handle leg. Repeat with the other Door.
Use: 4X Screw S1



- 7** Now, take the Screw S1, Nylon Nut N1, White Nylon Washers W1, included to assemble the Doors. There are 2 square holes on the Front Frame and 2 square holes on the Stationary Shelf. The Nylon Nuts N1 will snap inside these square holes. Place one White Washer (W1) on Screw S1. Do this with all 4 pivot points on the door set. Tighten until you feel an increase in resistance. **CAUTION: Overtightening will strip the nut.**
Use: 4X Screw S1, 4X Nut N1, 4X Washer W1



- 8** There are three options for this step:
 1) If using the elevator bolts, screw E1 into the bottom of each leg and adjust for leveling. Use the jam nut to secure the elevator bolt in place.
 2) If fastening the Stand to a deck or patio, find the install location to set the Texan Stand. Use screw S4 to fasten in place.
 3) If using the casters, fasten into the bottom of each leg. Each caster includes a brake to secure the stand in place.
Use: 4X Screw S4, OR 4X Elevator Bolt with Jam Nut E1, OR 4X Casters



When using casters always make sure they are all left in the locked position to prevent movement of the grill stand in strong wind.

Instructions

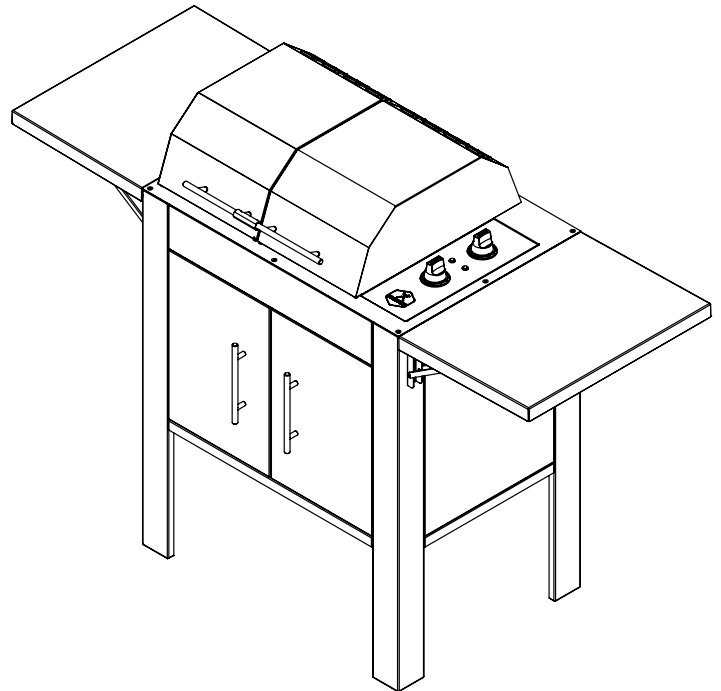
9 Congratulations, Your Texan Stand has been assembled! Take this time to tighten all screws (don't forget under the shelves). Now, place the Texan Grill into the stand, please be careful, 2 people recommended. Hold by the strongest part of the flange, as close to the Texan Grill body as possible. Be aware, the flange will bend if held too far out. Fasten the Texan Grill to the stand using screw S2.

Use: 9X Screw S2

10 The Folding Shelf can be lifted and lowered into position by lifting both levers on the brackets underneath. Although there are rubber caps on the levers to protect your Stand, do not let the Folding Shelf fall into the down position.

11 Take the remaining vinyl off and use this time to clean and polish to put a beautiful shine on the grill and stand. Remember to wipe with the grain, never across or diagonally. We have included a sample of stainless steel polish for your convenience, always using a soft clean cloth.

12 There are 4 included hooks in this package. The hooks can be used to hang your grilling accessories wherever you would like, inside or outside the stand. Be aware that once applied, the hooks will not come off without damaging the surface it's attached to. These use high bond tape, so strong adhesion is very important. Thoroughly clean the area where you want the hooks to be. On the back of the hook there is the double-sided tape. Peel the protective layer off and then stick the hook on firmly. Allow this to set for at least 2 hours before putting any load on the hook.



Congratulations, go grill your favorite food!
If you have any questions or concerns while assembling, please do not hesitate to call Kenyon customer service at 860-664-4906.