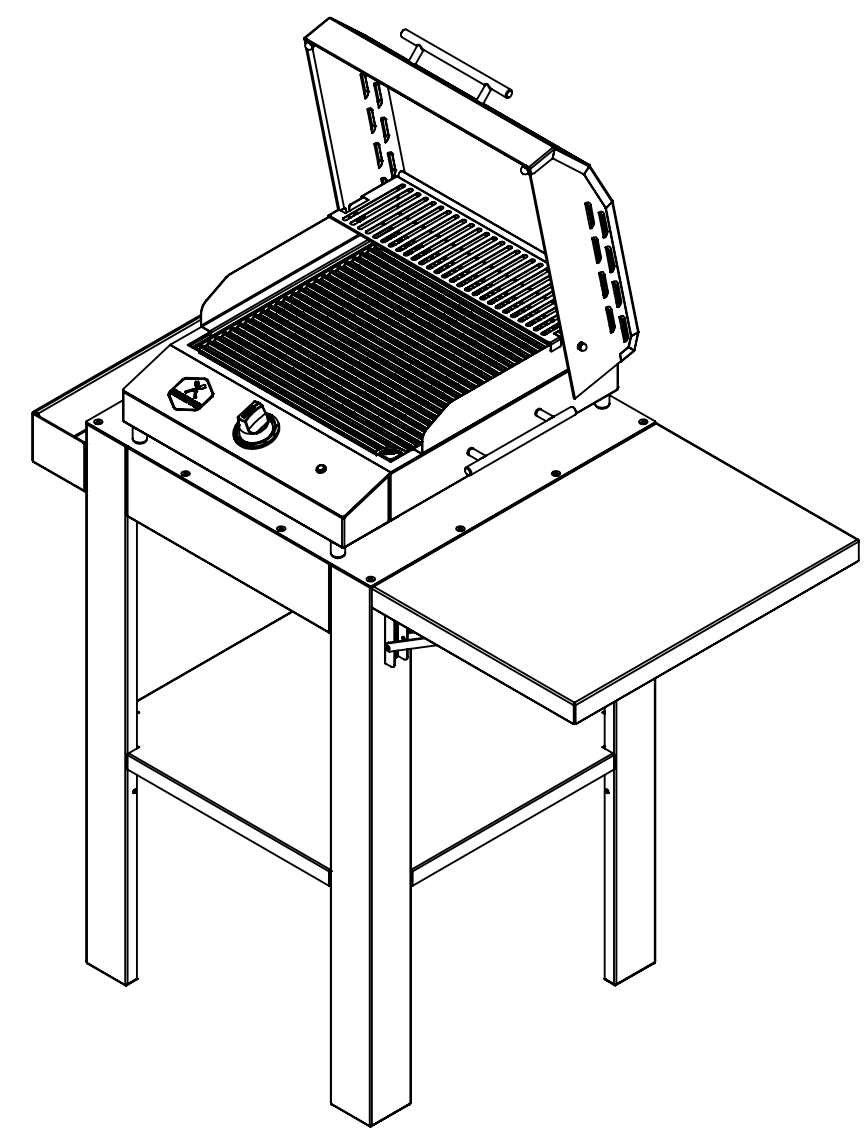
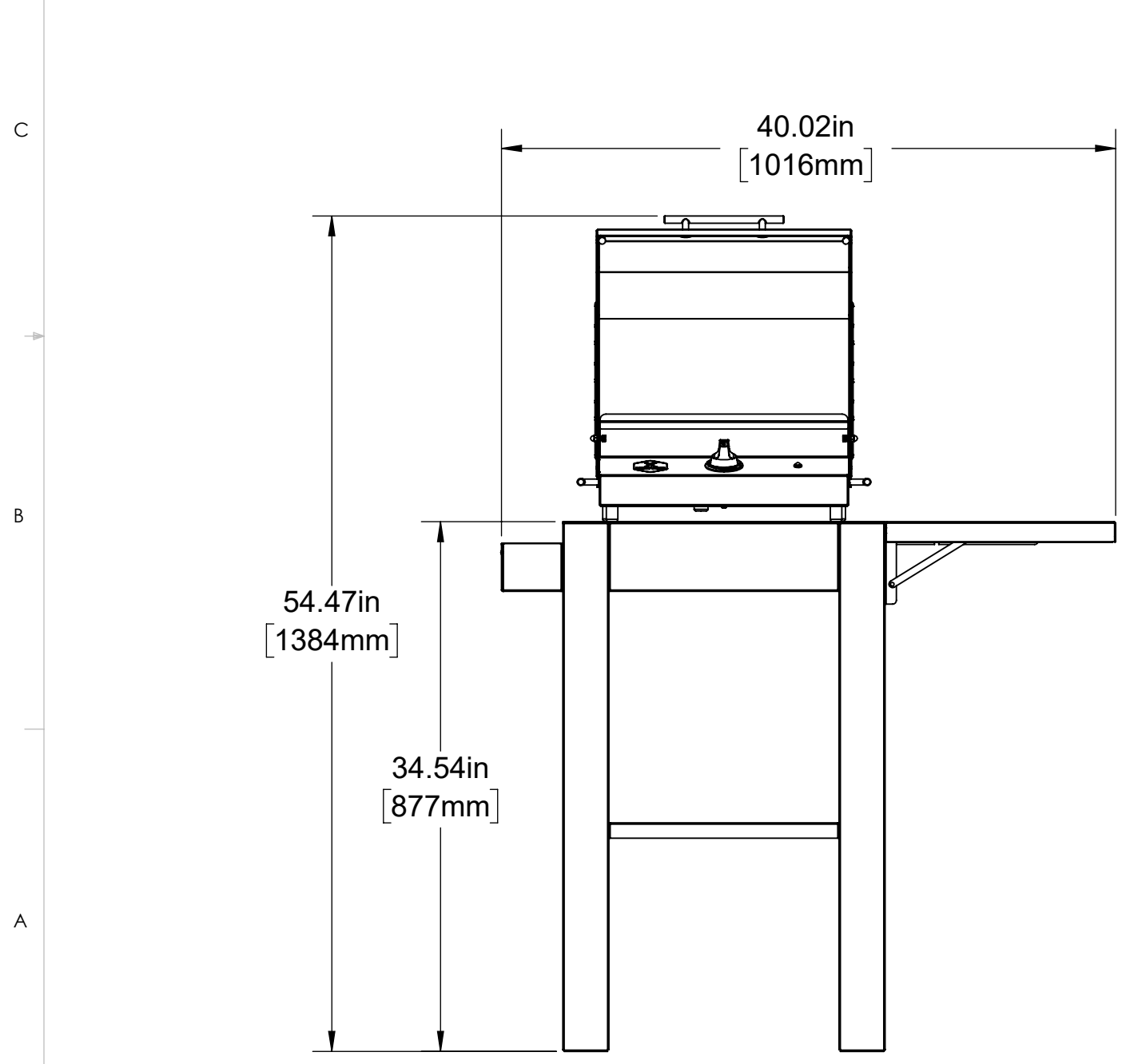
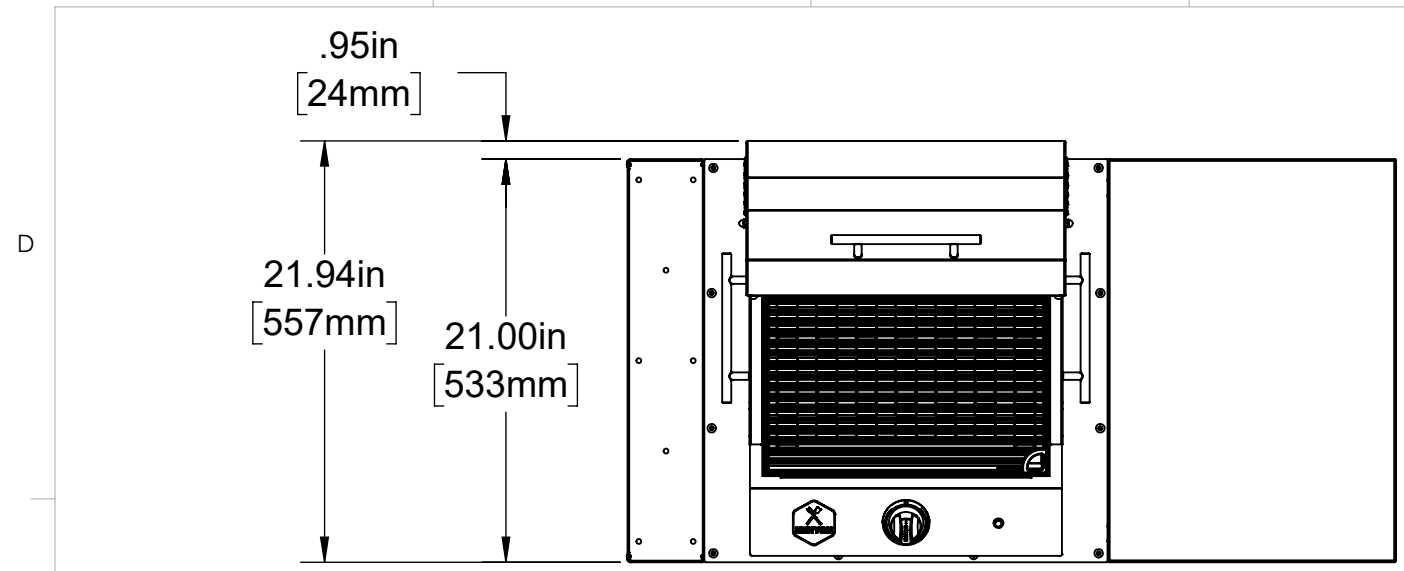


8 7 6 5 4 3 2 1



A

A

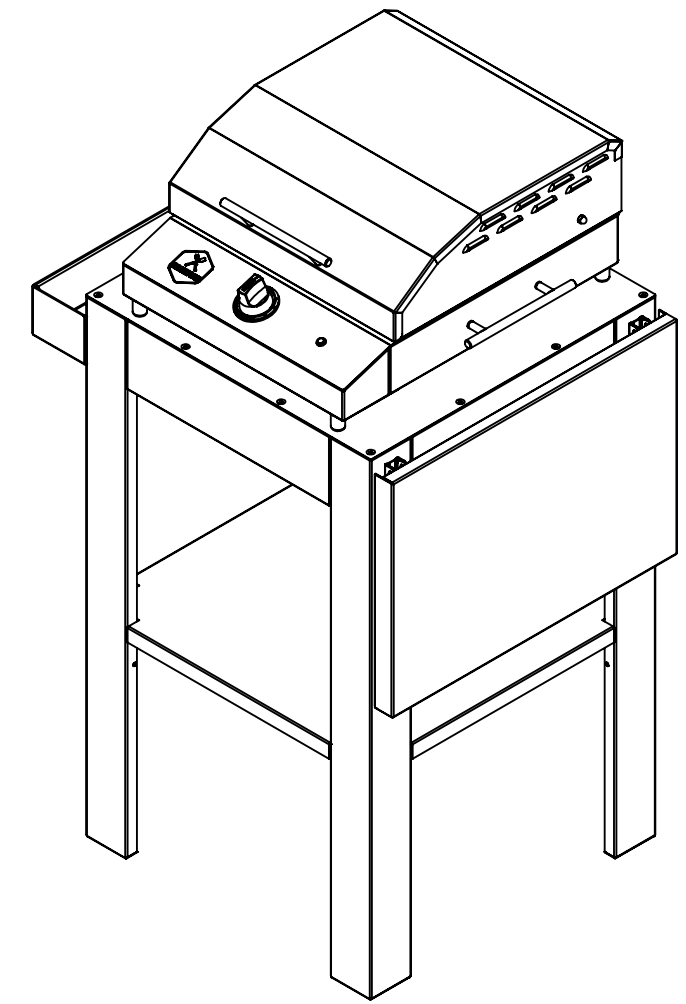
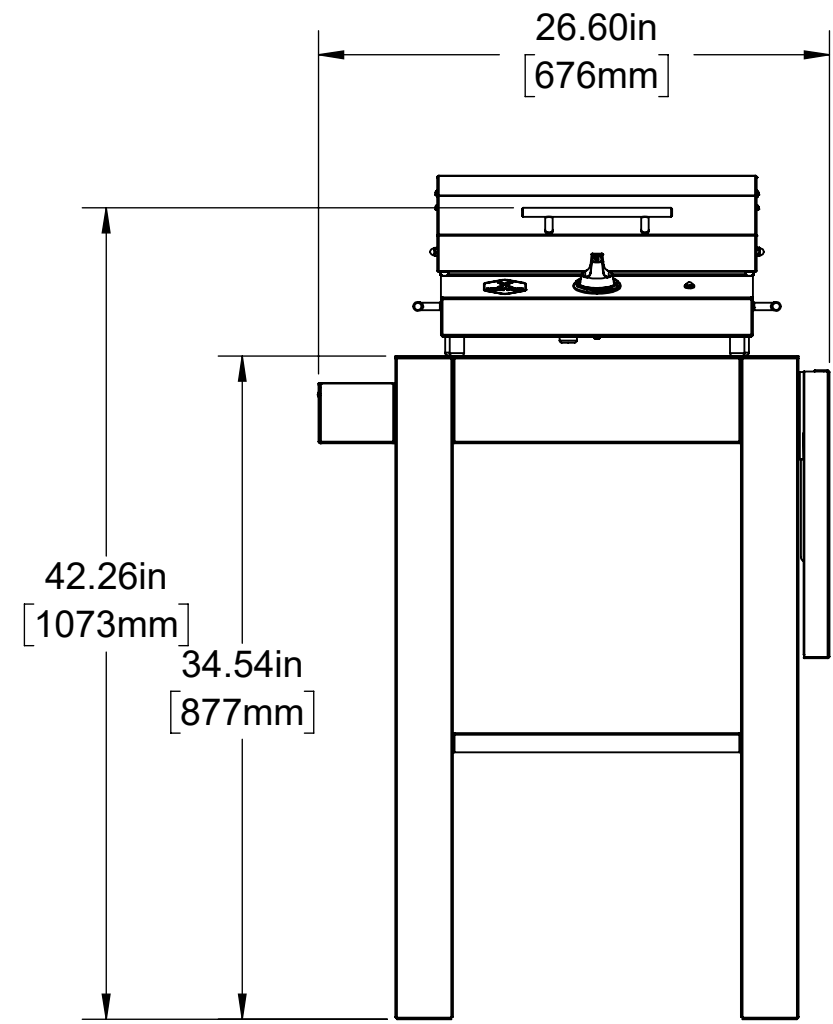
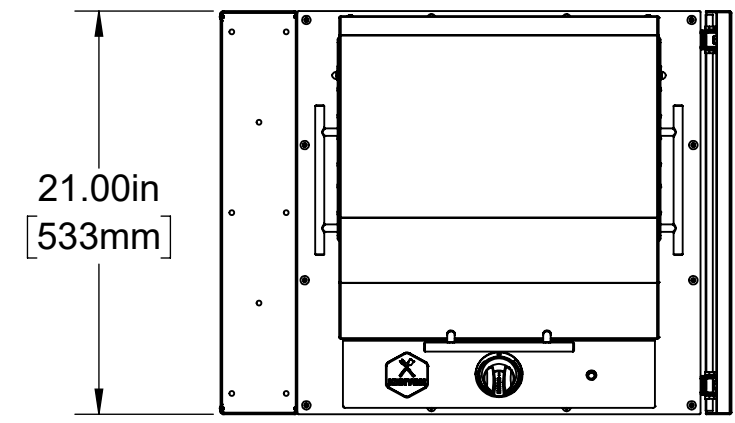
**PROPRIETARY AND CONFIDENTIAL**  
 THE INFORMATION CONTAINED IN THIS DRAWING IS THE SOLE PROPERTY OF KENYON INTERNATIONAL. ANY REPRODUCTION IN PART OR AS A WHOLE WITHOUT THE WRITTEN PERMISSION OF KENYON INTERNATIONAL IS PROHIBITED.

UNLESS OTHERWISE SPECIFIED:		NAME	DATE	KENYON INTERNATIONAL 8 HERITAGE PARK - PO BOX 925 CLINTON, CT 06413	
DIMENSIONS ARE IN INCHES		DRAWN	SWS	7/7/22	TITLE: <b>G2 GRILL STAND W/ GRILL, SHELF UP</b>
TOLERANCES:		CHECKED			
ANGULAR: MACH ± 0.50°		ENG APPR.			
BEND ± 1.00°		MFG APPR.			
TWO PLACE DECIMAL ±.01		Q.A.			SIZE
THREE PLACE DECIMAL ±.005		COMMENTS:			DWG. NO.
INTERPRET GEOMETRIC TOLERANCING PER ANSI/ASME Y14.5M-2009					REV
MATERIAL					SCALE: 1:10
FINISH					WEIGHT:
DO NOT SCALE DRAWING					SHEET 1 OF 4

8 7 6 5 4 3 2 1

8 7 6 5 4 3 2 1

D  
C  
B  
A



D  
C  
B  
A

**PROPRIETARY AND CONFIDENTIAL**  
THE INFORMATION CONTAINED IN THIS DRAWING IS THE SOLE PROPERTY OF KENYON INTERNATIONAL. ANY REPRODUCTION IN PART OR AS A WHOLE WITHOUT THE WRITTEN PERMISSION OF KENYON INTERNATIONAL IS PROHIBITED.

UNLESS OTHERWISE SPECIFIED:		NAME	DATE	KENYON INTERNATIONAL 8 HERITAGE PARK - PO BOX 925 CLINTON, CT 06413	
DIMENSIONS ARE IN INCHES		DRAWN	SWS	7/7/22	TITLE:  <b>G2 GRILL STAND W/ GRILL, SHELF DOWN</b>
TOLERANCES:		CHECKED			
ANGULAR: MACH ± 0.50°		ENG APPR.			
BEND ± 1.00°		MFG APPR.			
TWO PLACE DECIMAL ±.01		Q.A.			SIZE
THREE PLACE DECIMAL ±.005		COMMENTS:			DWG. NO.
INTERPRET GEOMETRIC TOLERANCING PER ANSI/ASME Y14.5M-2009					REV
MATERIAL					SCALE: 1:10
FINISH					WEIGHT:
DO NOT SCALE DRAWING					SHEET 2 OF 4

8 7 6 5 4 3 2 1