

Read me
FIRST

www.CookWithKenyon.com

KENYON[®]

Make any day a weekend

SINGLE ZONE GRILL STAND

ASSEMBLY INSTRUCTIONS

Part # 145759
Created: July 26, 2022

PLEASE READ THESE INSTRUCTIONS IN THEIR ENTIRETY BEFORE USE. SAVE THESE INSTRUCTIONS FOR FUTURE REFERENCE.

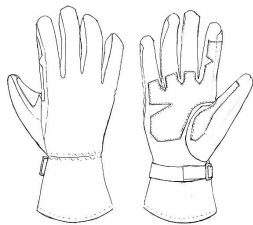
ITEMS REQUIRED



Phillips Head Screwdriver

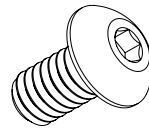


Hex Screwdriver (Included)

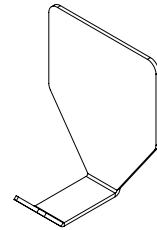


Gloves and a Helping Hand Strongly Recommended

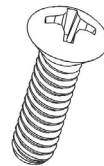
HARDWARE



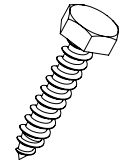
S1 (18X)
#8-32 x 5/16"
Hex Drive



Hooks (4X)

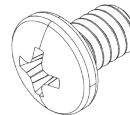


S2 (13X)
#6-32 x 1/2"
Phillips Head

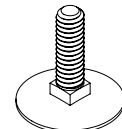


S4 (4X)
1/4" x 1-1/4"
Hex Head
Optional

IMPORTANT: These S2 (12x) screws replace the hardware that comes in the box of your Single Zone

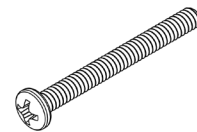
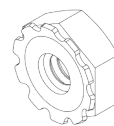


S3 (2x)
1/4"-20x 3/8"
Phillips Head



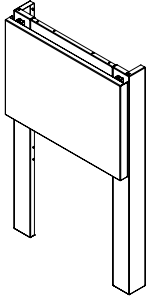
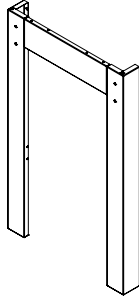
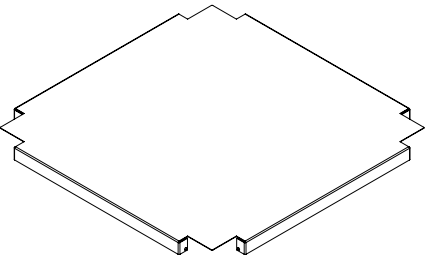
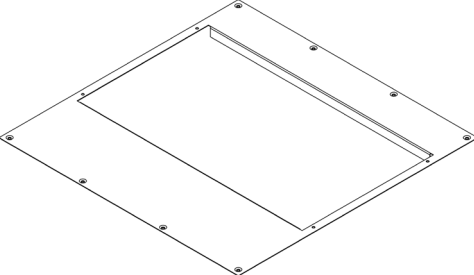
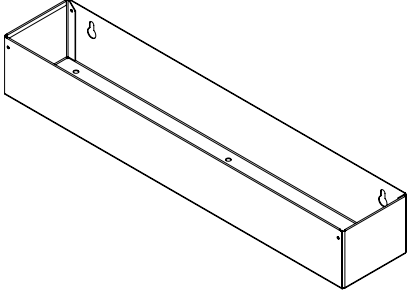
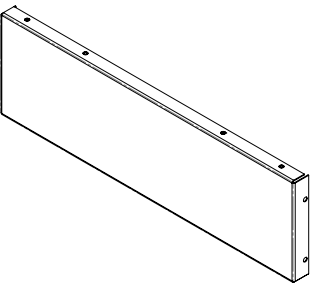
E1 (4X)
Elevator Bolt
Optional

Included in kit but not needed for assembly



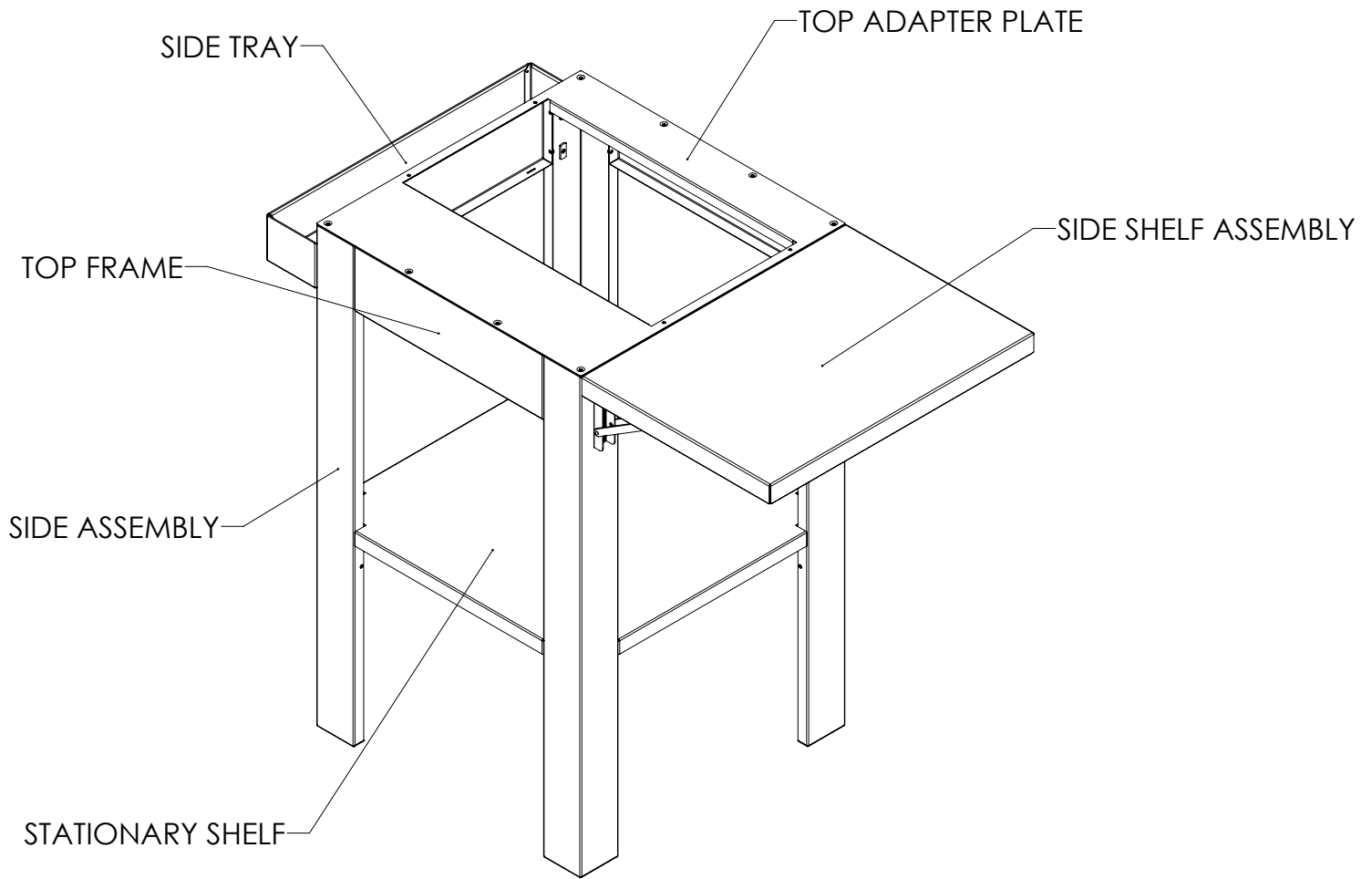
Thank you for choosing **Kenyon**, the world's leading manufacturer of specialty cooking appliances. By following the instructions in this assembly manual, your grill stand will provide you with many years of reliable service.

Part Lists

SIDE SHELF ASSEMBLY	SIDE ASSEMBLY
	
STATIONARY SHELF	TOP ADAPTER PLATE
	
SIDE TRAY	TOP FRAME (2X)
	

If any components are missing or damaged, please call KENYON Customer Service at 860-664-4906.

Assembled Stand



Instructions

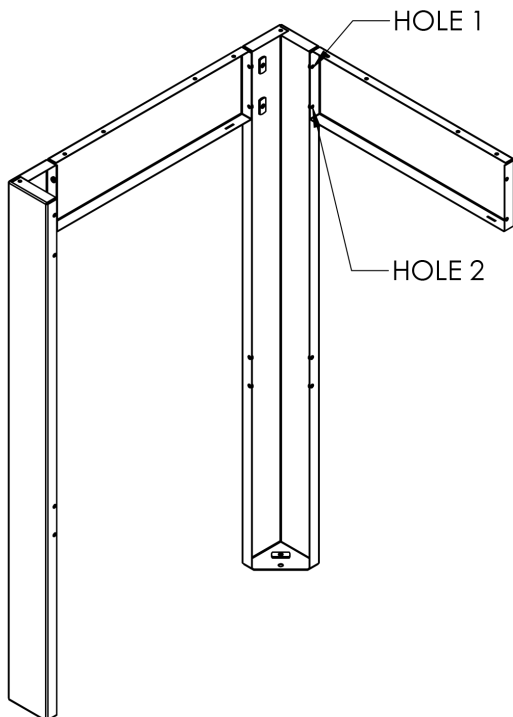
Assembling Grill Stand

- 1 Assemble stand on a carpet or soft surface to avoid any dents or scratches.

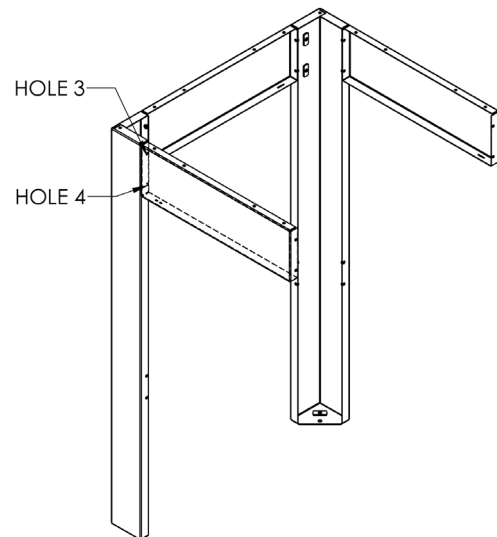
Kenyon recommends using gloves during assembly.

Unpack stand parts carefully, lay the parts out to check for shipping damage.

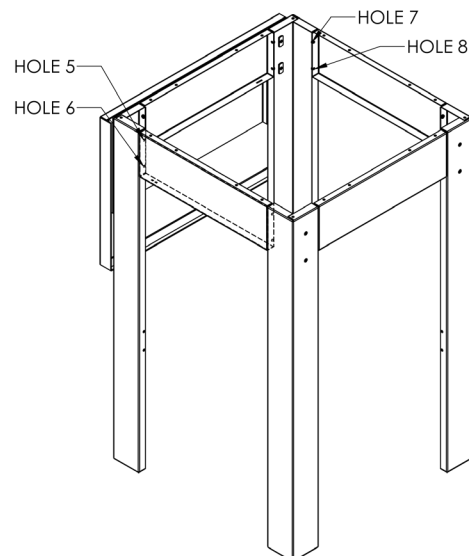
- 2 Place Side Assembly and a Top Frame Panel on a flat surface. Align the top hole on the Top Frame Panel with the top hole of the leg (contained within Side Assembly). Fasten 2X of screw S1 to the corresponding holes 1 & 2 as shown in the figure below.
Use: 2X Screw S1



- 3 Align the top hole of the remaining Top Frame Panel with the top hole of the opposite leg from Step 2 on the Side Assembly. Fasten 2X of screw S1 to the corresponding holes 3 & 4 as shown in the figure below.
Use: 2X Screw S1

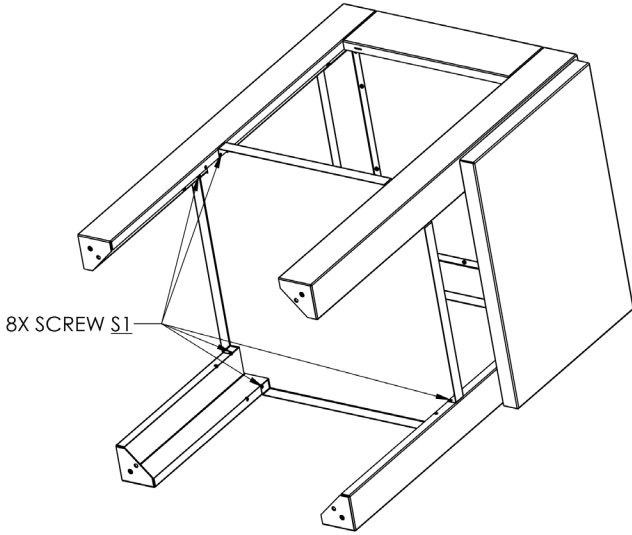


- 4 Align the Side Shelf Assembly top holes with the top holes of the Top Frame Panels. Use 4X of screw S1 to fasten the Side Shelf Assembly to both Top Frame Panels using holes 5,6,7 & 8 as shown in the figures below.
Use: 4x Screw S1

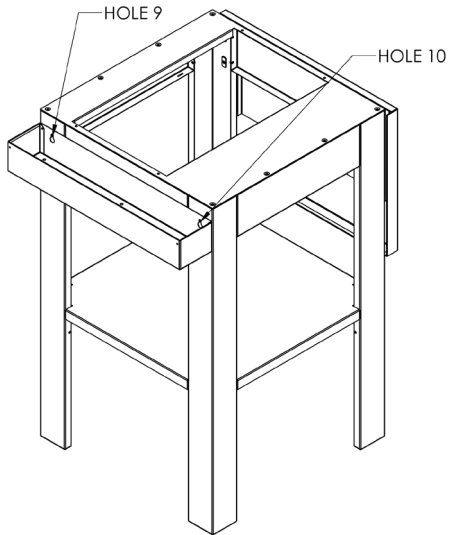


Instructions

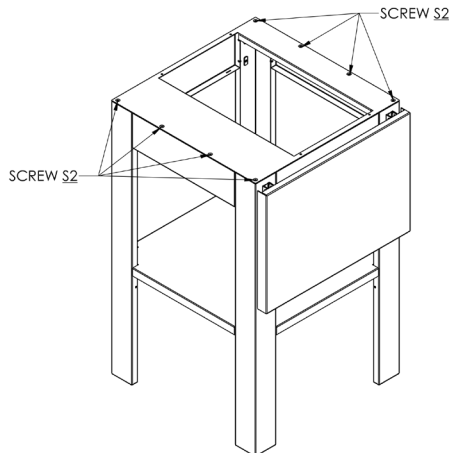
- 5** Remove vinyl covering from the Stationary Shelf before installation. Slide the Stationary Shelf between the legs of the stand as shown in the figure below. Fasten 8X of screw S1 to the 2 holes in each of the 4 legs. Do not fully tighten the S1 screws until all 8 screws are fastened to the legs. **Use: 8X Screw S1**



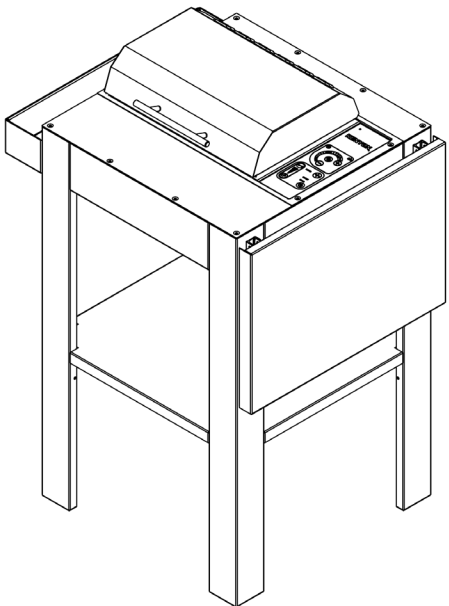
- 7** Fasten 2X S3 screws to the corresponding holes 9&10 as shown in the figure below. Do not tighten all the way. Place Side Tray onto Side Assembly by aligning the keyholes on the Side Tray with the 2X S3 screws. **Use: 2X Screw S3**



- 6** Place the Top Adapter Plate on top of the stand assembly. Use the label on the part to place the plate in the correct orientation. The larger flat surface goes in the front of the stand. Use 8X S2 screws to fasten the plate to the stand using only the front and back countersunk holes as shown in the figure below. Do not fully tighten the S2 screws until all 8 screws are fastened to the Top Adapter Plate. **Use: 8X Screw S2**



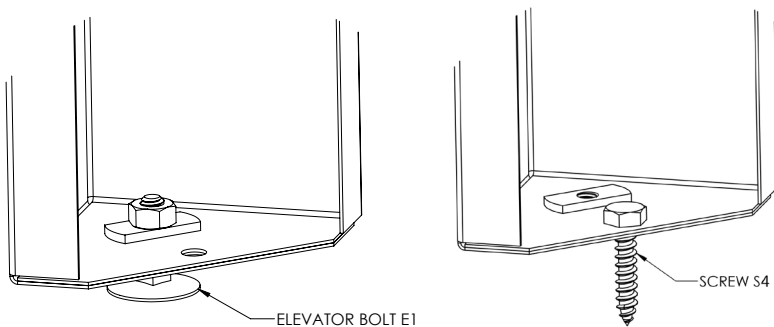
- 8** Place your Single Zone Grill into the cutout of the Top Adapter Plate as shown in the figure below. Fasten the grill to the plate using 4X S2 screws in the 4 corners of the grill flange. **Use: 4X Screw S2**



Instructions

- 9** Optional: If using the hex head screws S4 to fasten the stand to a deck or patio, first find the install location to set the stand. Use 4X S4 screws to fasten the stand to a deck or patio. If you are not mounting the stand to a deck or patio, instead use the included E1 elevator bolts with jam nuts which can be screwed into the bottom of each leg for your convenience.

Use: 4X Screw S4 OR 4X Elevator Bolt with Jam Nut E1



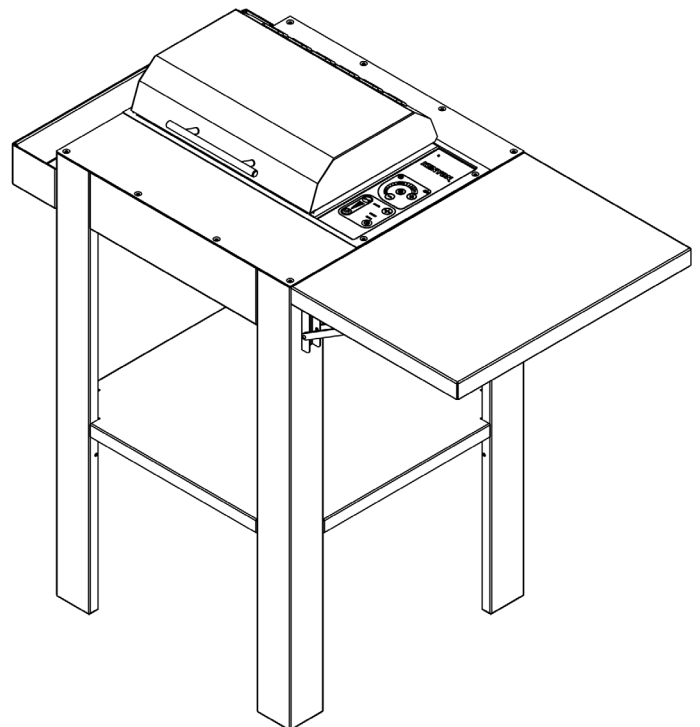
- 10** Congratulations, your Single Zone Grill Stand has been assembled! Take this time to tighten all fasteners.

- 12** The Folding Shelf can be lifted and lowered into position by lifting both levers on the brackets underneath. Although there are rubber caps on the levers to protect your stand, do not let the Folding Shelf fall into the down position.

- 11** The Folding Shelf can be lifted and lowered into position by lifting both levers on the brackets underneath. Although there are rubber caps on the levers to protect your stand, do not let the Folding Shelf fall into the down position.

- 13** Take the remaining vinyl off and use this time to clean and polish to put a beautiful shine on the grill and stand. Remember to wipe with the grain of the sheet metal. Never wipe across or diagonally. We have included a sample of stainless-steel polish for your convenience.

- 14** There are 4 hooks included in this package. The hooks can be used to hang your grilling accessories wherever you would like. Be aware that once the hooks are applied, they cannot be adjusted without damaging the surface they are attached to. The hooks are applied using a very high bond tape. Thoroughly clean the area where you want the hooks installed. Peel the protective layer off the double-sided tape located on the back of the hook and firmly apply the hook to the desired location on the stand. Allow the adhesive to set for 2 hours prior to putting any load on the hook.



Congratulations, go grill your favorite food!
If you have any questions or concerns while assembling, please do not hesitate to call Kenyon customer service at 860-664-4906.