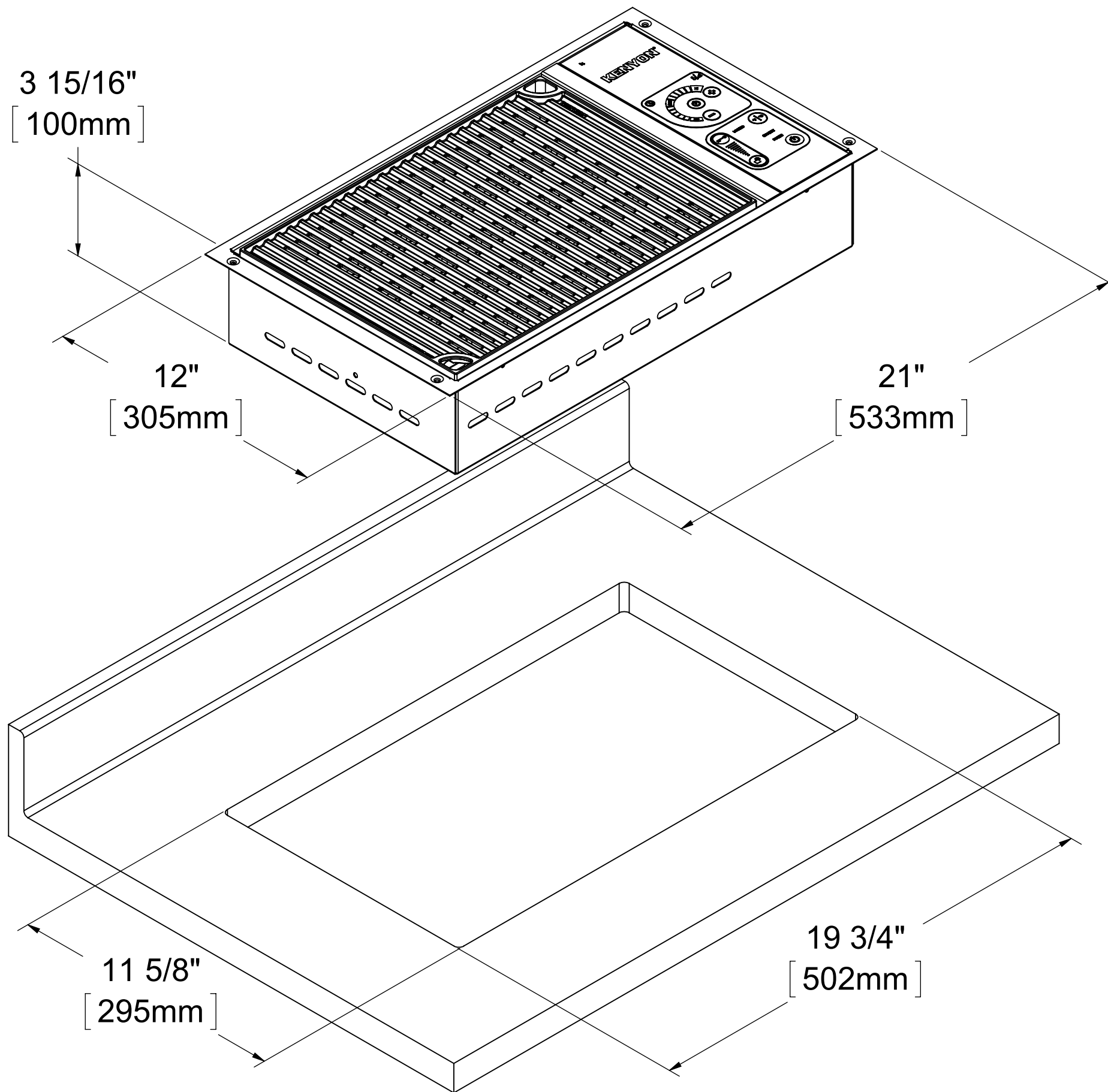


PROPRIETARY AND CONFIDENTIAL
 THE INFORMATION CONTAINED IN THIS DRAWING IS THE SOLE PROPERTY OF KENYON INTERNATIONAL. ANY REPRODUCTION IN PART OR AS A WHOLE WITHOUT THE WRITTEN PERMISSION OF KENYON INTERNATIONAL IS PROHIBITED.

		UNLESS OTHERWISE SPECIFIED:		NAME	DATE	KENYON INTERNATIONAL 8 HERITAGE PARK - PO BOX 925 CLINTON, CT 06413	
		DIMENSIONS ARE IN INCHES TOLERANCES: ANGULAR: MACH ± 0.50° BEND ± 1.00° TWO PLACE DECIMAL ±.01 THREE PLACE DECIMAL ±.005		DRAWN	GSP	10/26/17	TITLE: SINGLE ZONE INTELLIKEN NO LID
		INTERPRET GEOMETRIC TOLERANCING PER ANSI/ASME Y14.5M-2009		CHECKED			
		MATERIAL		ENG APPR.			
		FINISH		MFG APPR.			
NEXT ASSY	USED ON	DO NOT SCALE DRAWING		Q.A.			SIZE DWG. NO. B B70560, B70561, 245190, 245191
APPLICATION				COMMENTS:			REV
							SCALE: 1:1 WEIGHT: SHEET 1 OF 2



8

7

6

5

4

3

2

1

F

E

D

C

B

A

F

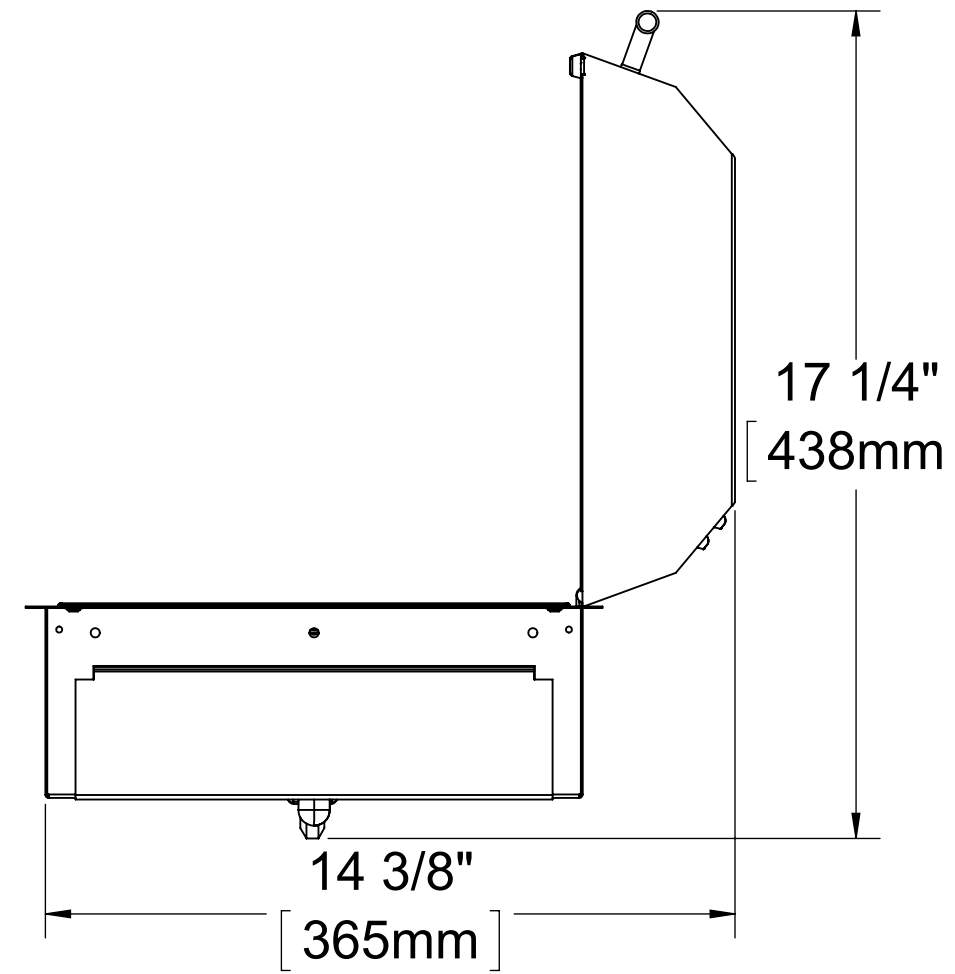
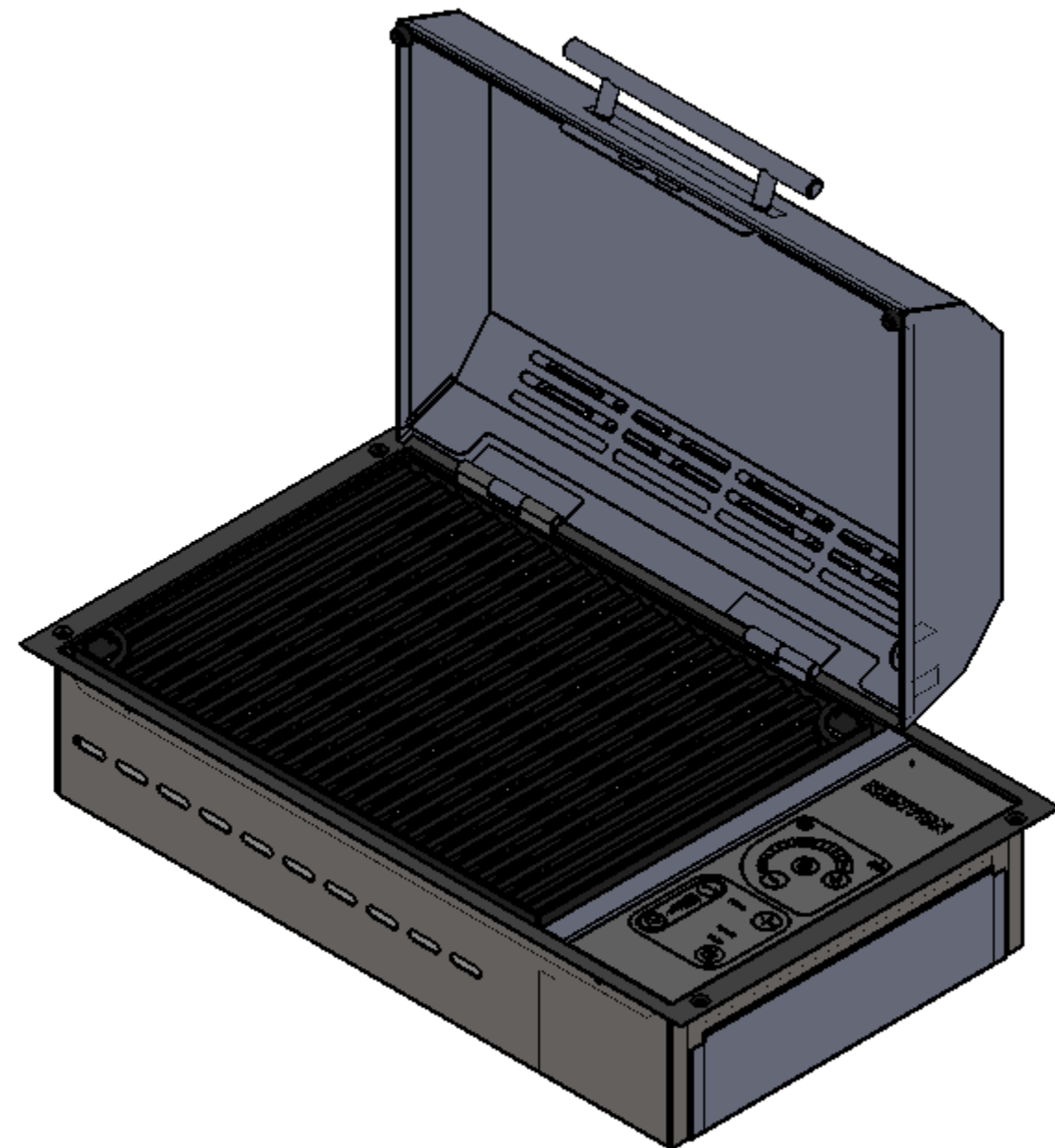
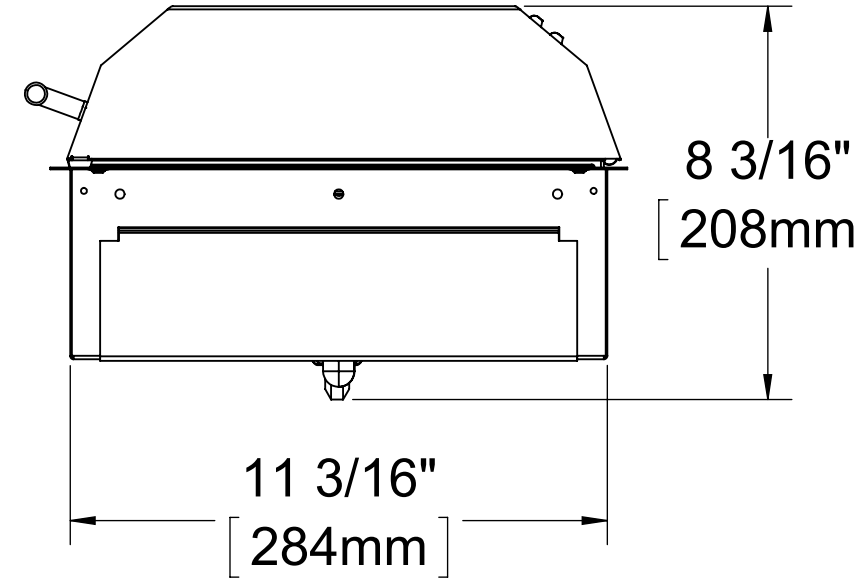
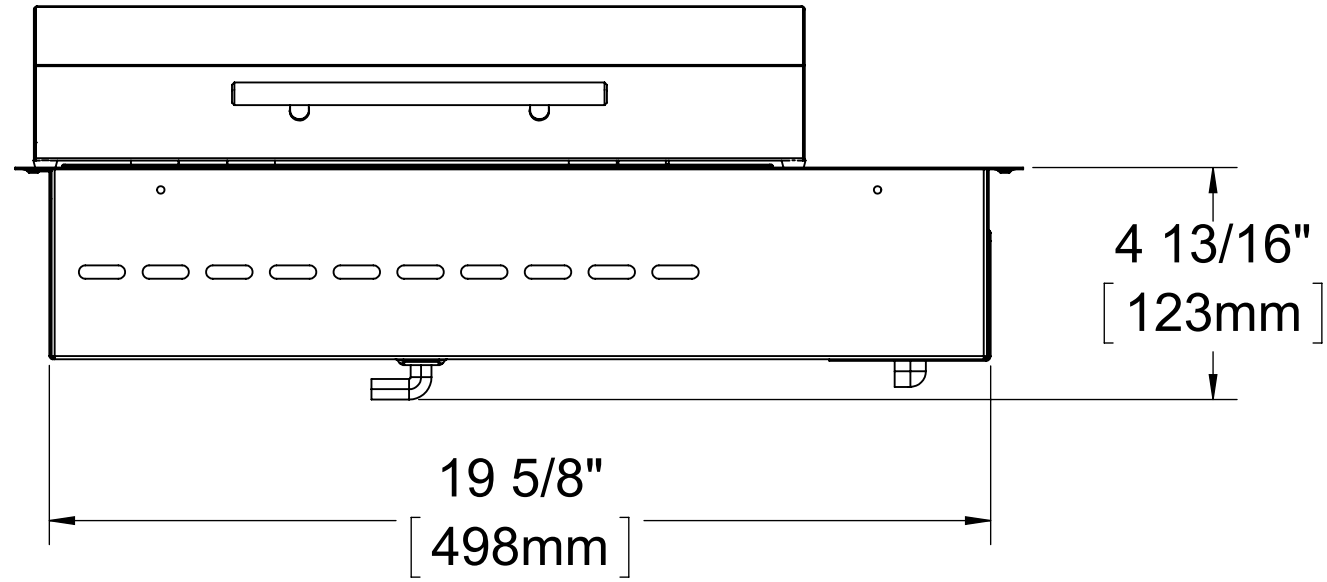
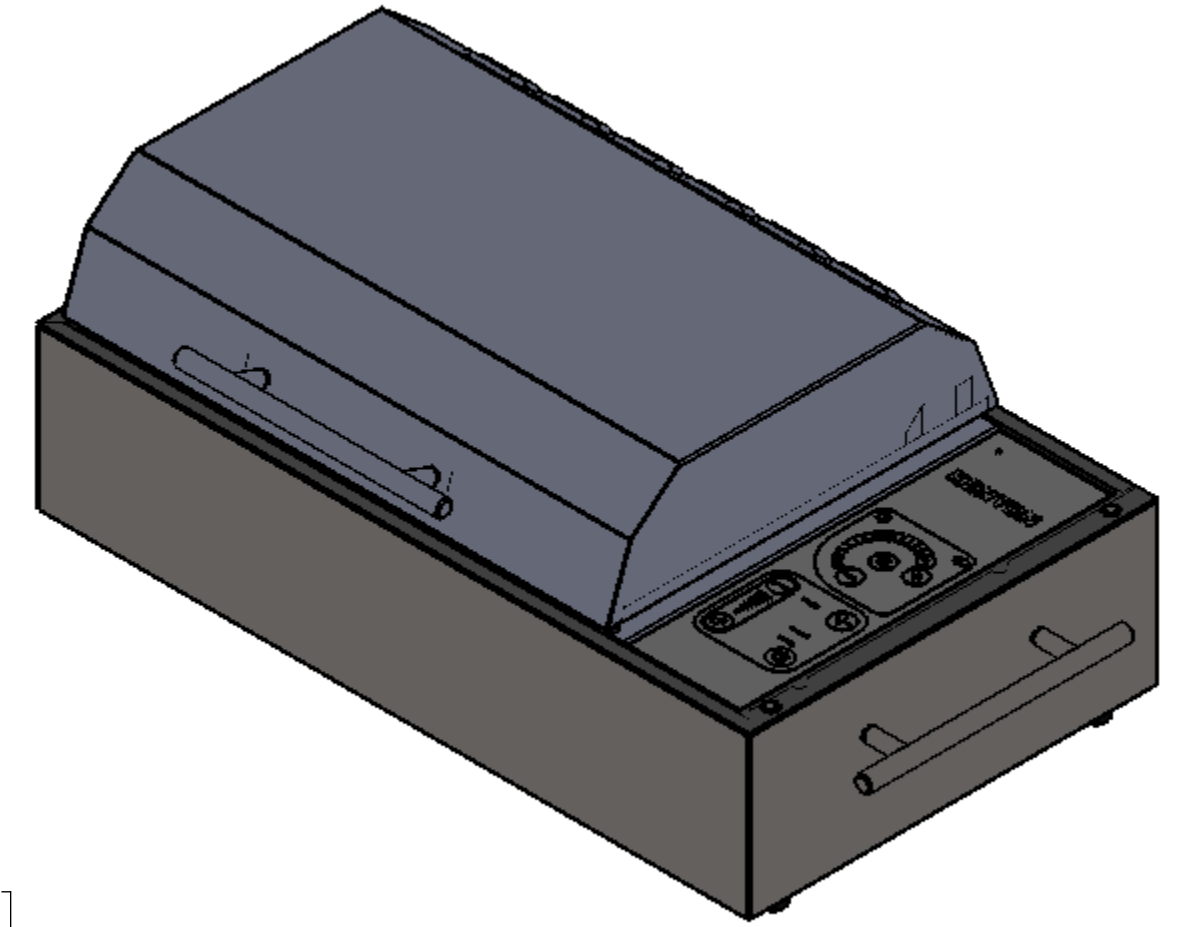
E

D

C

B

A



PROPRIETARY AND CONFIDENTIAL
 THE INFORMATION CONTAINED IN THIS DRAWING IS THE SOLE PROPERTY OF KENYON INTERNATIONAL. ANY REPRODUCTION IN PART OR AS A WHOLE WITHOUT THE WRITTEN PERMISSION OF KENYON INTERNATIONAL IS PROHIBITED.

		UNLESS OTHERWISE SPECIFIED:		NAME	DATE	KENYON INTERNATIONAL 8 HERITAGE PARK - PO BOX 925 CLINTON, CT 06413	
		DIMENSIONS ARE IN INCHES		DRAWN	GSP	10/26/17	TITLE:
		TOLERANCES:		CHECKED			SINGLE ZONE INTELLIKEN FRONTIER LID
		ANGULAR: MACH ± 0.50°		ENG APPR.			
		BEND ± 1.00°		MFG APPR.			
		TWO PLACE DECIMAL ± .010°		Q.A.			SIZE DWG. NO.
		THREE PLACE DECIMAL ± .005°		COMMENTS:			C B70550 & B70551
		INTERPRET GEOMETRIC TOLERANCING PER ANSI/ASME Y14.5M-2009					REV
		MATERIAL					SCALE: 1:8 WEIGHT:
		FINISH					SHEET 1 OF 2
NEXT ASSY	USED ON	APPLICATION	DO NOT SCALE DRAWING				

8

7

6

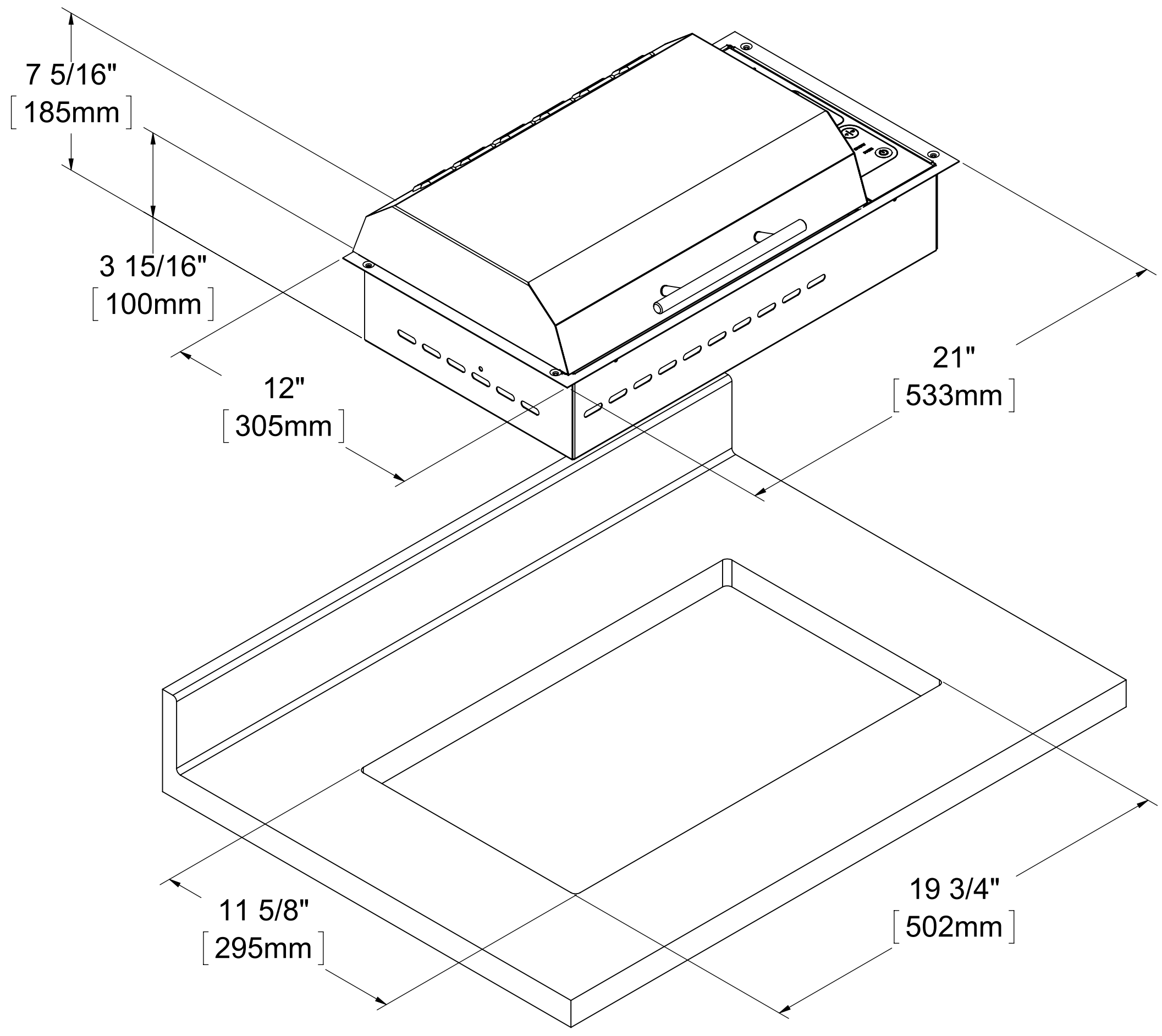
5

4

3

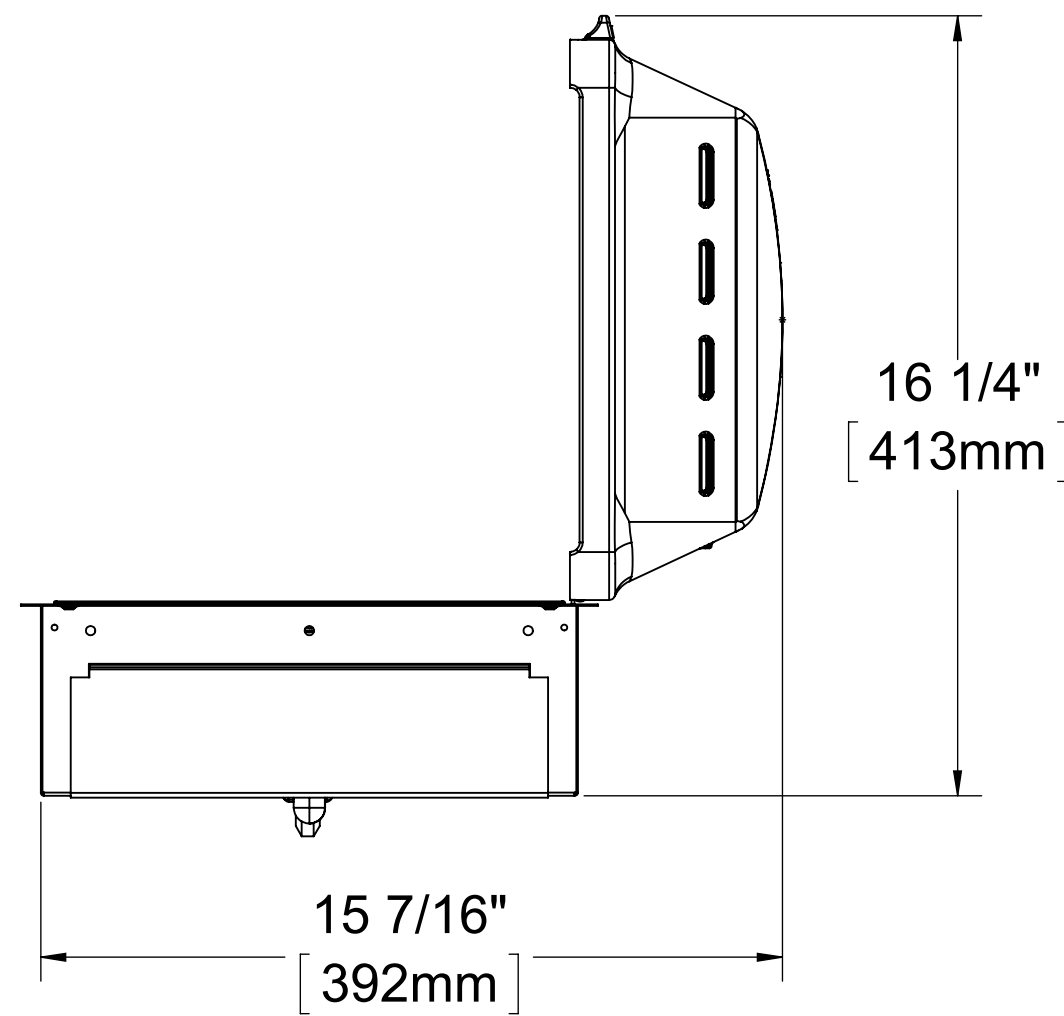
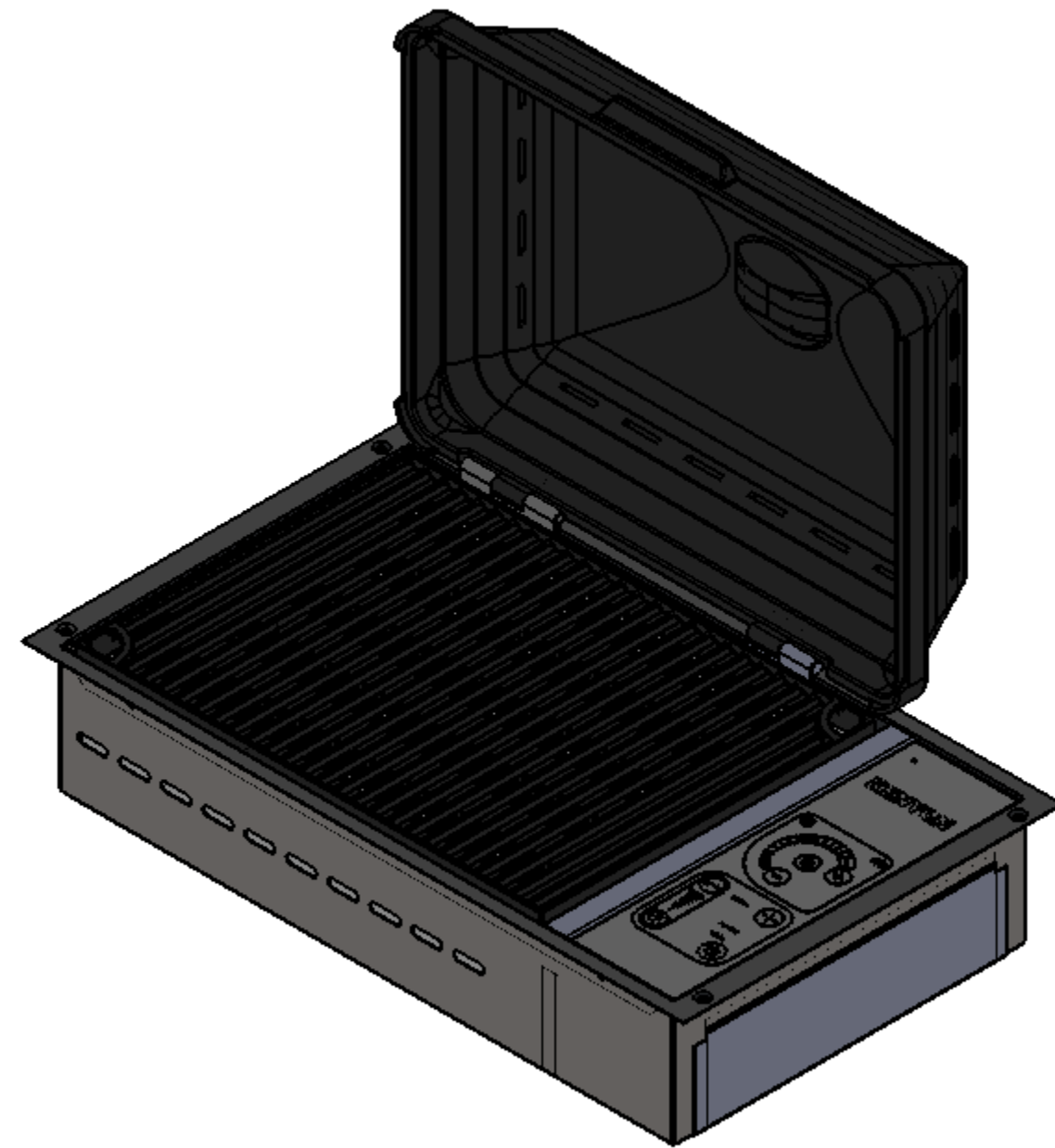
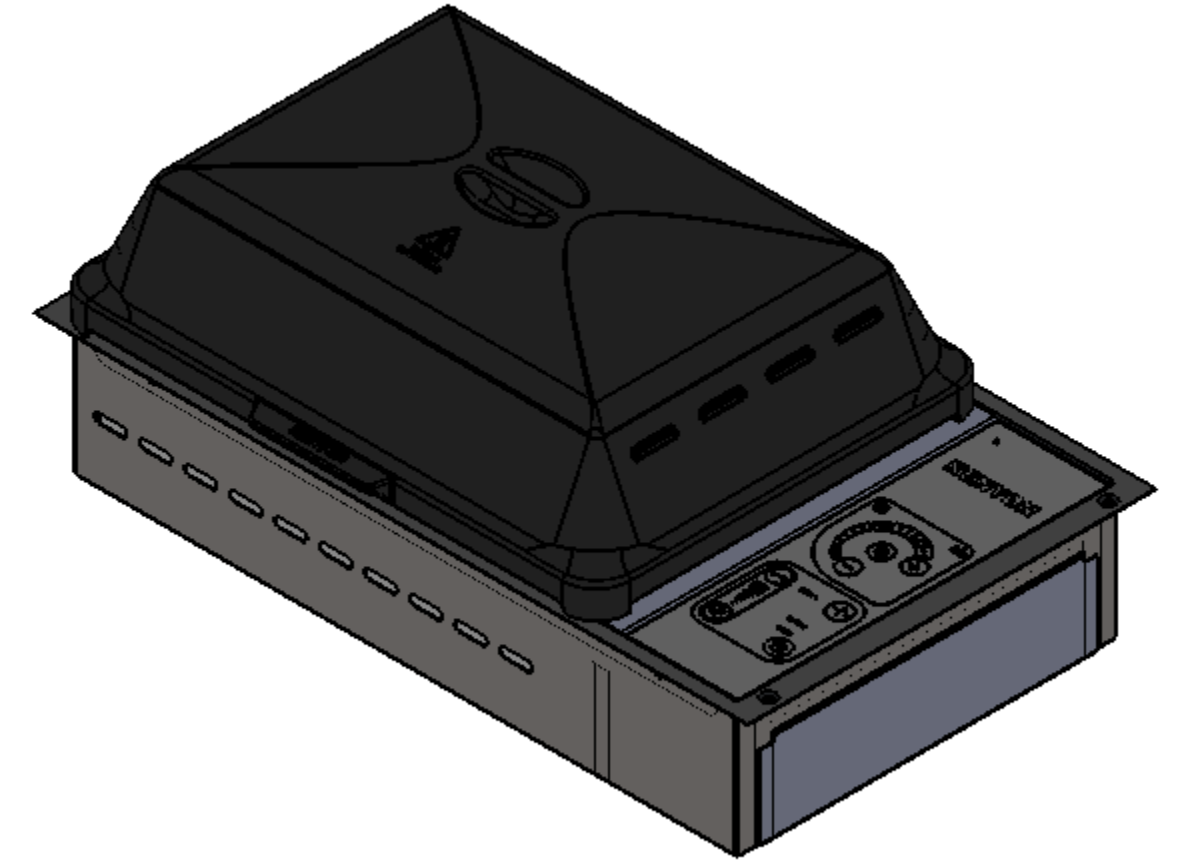
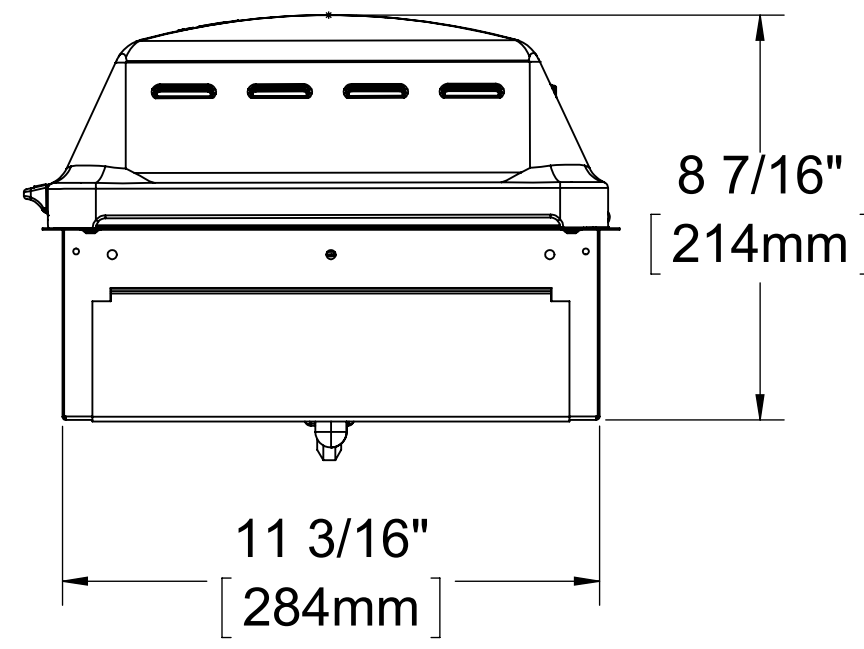
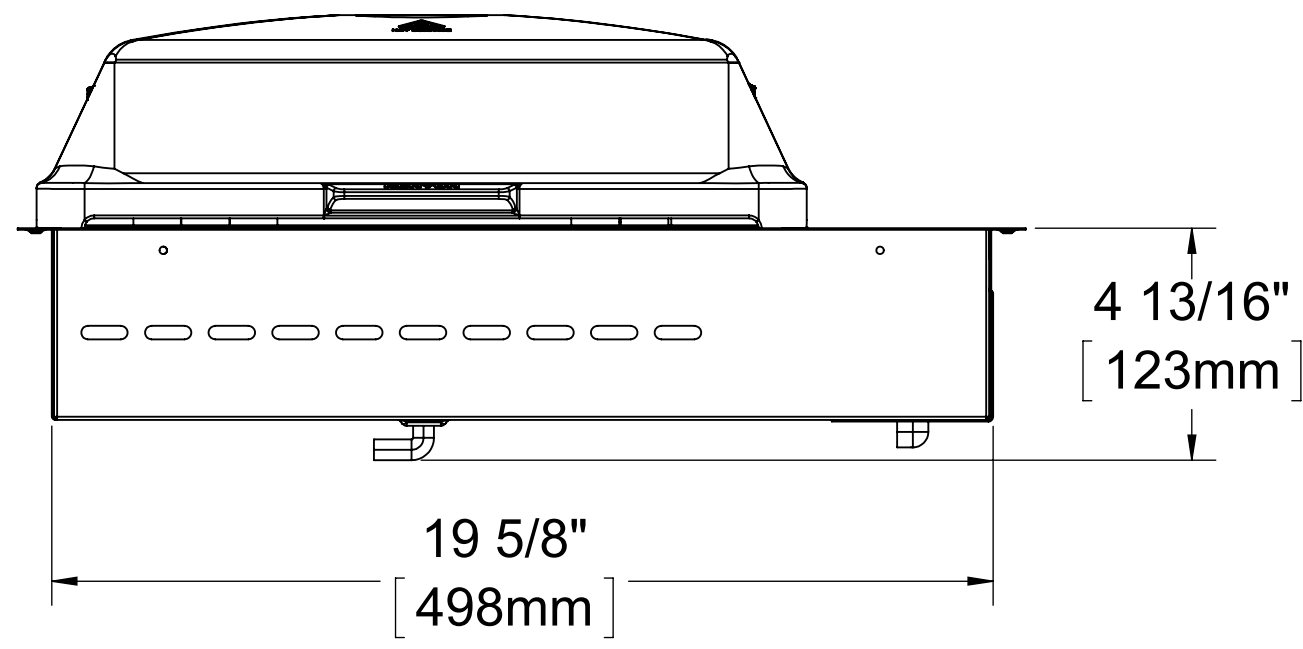
2

1



PROPRIETARY AND CONFIDENTIAL
 THE INFORMATION CONTAINED IN THIS DRAWING IS THE SOLE PROPERTY OF KENYON INTERNATIONAL. ANY REPRODUCTION IN PART OR AS A WHOLE WITHOUT THE WRITTEN PERMISSION OF KENYON INTERNATIONAL IS PROHIBITED.

		UNLESS OTHERWISE SPECIFIED:				KENYON INTERNATIONAL 8 HERITAGE PARK - PO BOX 925 CLINTON, CT 06413	
		DIMENSIONS ARE IN INCHES		DRAWN		TITLE:	
		TOLERANCES:		CHECKED			
		ANGULAR: MACH ± 0.50°		ENG APPR.			
		BEND ± 1.00°		MFG APPR.			
		TWO PLACE DECIMAL ± .010"		Q.A.			
		THREE PLACE DECIMAL ± .005"		COMMENTS:			
		INTERPRET GEOMETRIC TOLERANCING PER ANS/ASME Y14.5M-2009					
		MATERIAL					
		FINISH				SIZE DWG. NO. REV	
NEXT ASSY		USED ON				C B70550 & B70551	
APPLICATION		DO NOT SCALE DRAWING				SCALE: 1:8 WEIGHT: SHEET 2 OF 2	



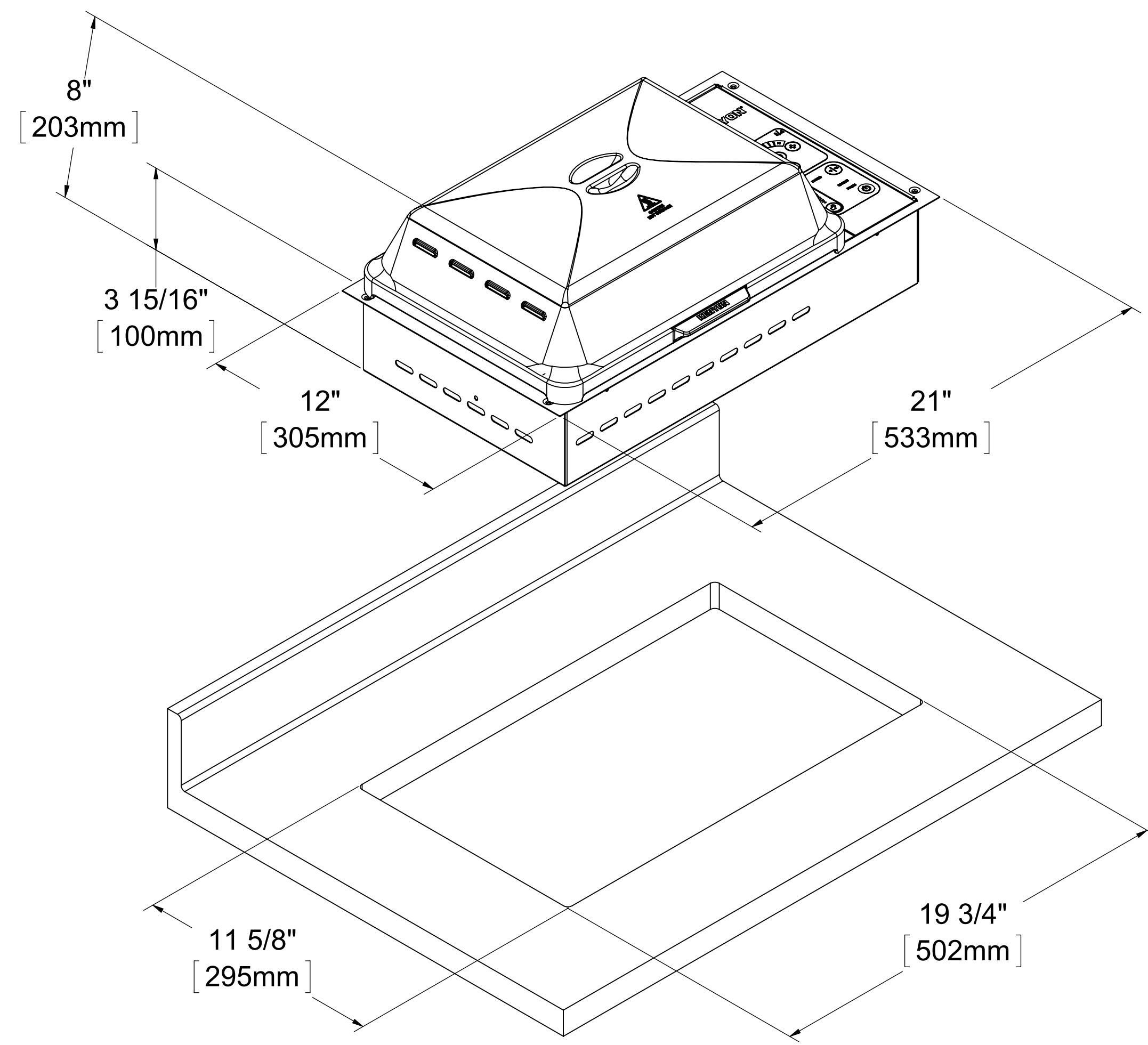
PROPRIETARY AND CONFIDENTIAL
 THE INFORMATION CONTAINED IN THIS DRAWING IS THE SOLE PROPERTY OF KENYON INTERNATIONAL. ANY REPRODUCTION IN PART OR AS A WHOLE WITHOUT THE WRITTEN PERMISSION OF KENYON INTERNATIONAL IS PROHIBITED.

UNLESS OTHERWISE SPECIFIED:		NAME	DATE
DIMENSIONS ARE IN INCHES		DRAWN	GSP
TOLERANCES:		CHECKED	
ANGULAR: MA CH ± 0.50°		ENG APPR.	
BEND ± 1.00°		MFG APPR.	
TWO PLACE DECIMAL ± .010"		Q.A.	
THREE PLACE DECIMAL ± .005"		COMMENTS:	
INTERPRET GEOMETRIC TOLERANCING PER ANS/ASME Y14.5M-2009			
MATERIAL	FINISH		
NEXT ASSY	USED ON		
APPLICATION	DO NOT SCALE DRAWING		

KENYON INTERNATIONAL 8 HERITAGE PARK - PO BOX 925 CLINTON, CT 06413		
TITLE: SINGLE ZONE INTELLIKEN SILKEN LID		
SIZE	DWG. NO.	REV
C	B70570, B70571	
SCALE: 1:1	WEIGHT:	SHEET 1 OF 3

8 7 6 5 4 3 2 1

F
E
D
C
B
A

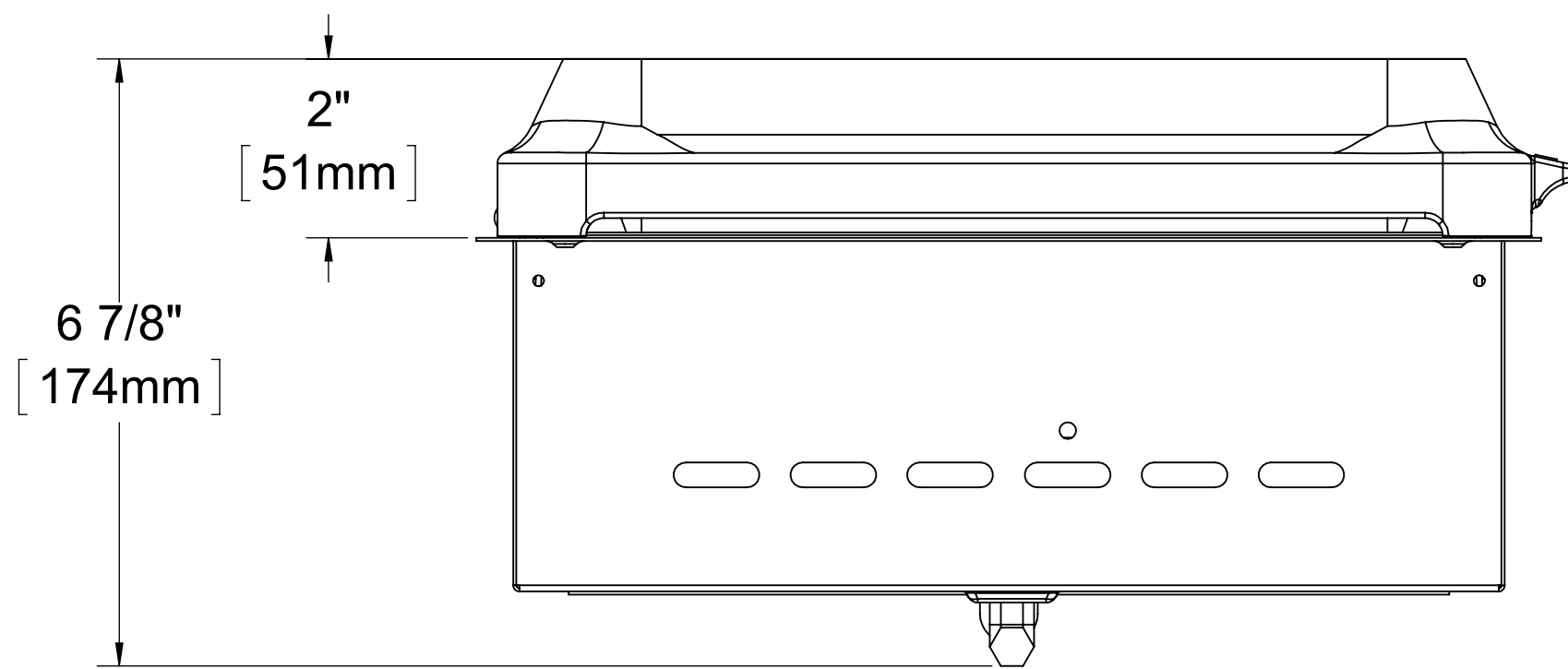


PROPRIETARY AND CONFIDENTIAL
 THE INFORMATION CONTAINED IN THIS DRAWING IS THE SOLE PROPERTY OF KENYON INTERNATIONAL. ANY REPRODUCTION IN PART OR AS A WHOLE WITHOUT THE WRITTEN PERMISSION OF KENYON INTERNATIONAL IS PROHIBITED.

UNLESS OTHERWISE SPECIFIED:		NAME	DATE
DIMENSIONS ARE IN INCHES		DRAWN	
TOLERANCES:		CHECKED	
ANGULAR: MACH ± 0.50°		ENG APPR.	
BEND ± 1.00°		MFG APPR.	
TWO PLACE DECIMAL ± .010"		Q.A.	
THREE PLACE DECIMAL ± .005"		COMMENTS:	
INTERPRET GEOMETRIC TOLERANCING PER ANS/ASME Y14.5M-2009			
MATERIAL	FINISH		
NEXT ASSY	USED ON		
APPLICATION	DO NOT SCALE DRAWING		

KENYON INTERNATIONAL 8 HERITAGE PARK - PO BOX 925 CLINTON, CT 06413		
TITLE:		
SIZE	DWG. NO.	REV
C	B70570 & B70571	
SCALE: 1:4	WEIGHT:	SHEET 2 OF 3

8 7 6 5 4 3 2 1



PROPRIETARY AND CONFIDENTIAL
 THE INFORMATION CONTAINED IN THIS DRAWING IS THE SOLE PROPERTY OF KENYON INTERNATIONAL. ANY REPRODUCTION IN PART OR AS A WHOLE WITHOUT THE WRITTEN PERMISSION OF KENYON INTERNATIONAL IS PROHIBITED.

		UNLESS OTHERWISE SPECIFIED:				KENYON INTERNATIONAL 8 HERITAGE PARK - PO BOX 925 CLINTON, CT 06413	
		DIMENSIONS ARE IN INCHES		DRAWN		TITLE:	
		TOLERANCES:		CHECKED		REV	
		ANGULAR: MACH ± 0.50°		ENG APPR.		SIZE DWG. NO.	
		BEND ± 1.00°		MFG APPR.		C B70570 & B70572 COLLA	
		TWO PLACE DECIMAL ± .010"		Q.A.		SCALE: 1:2 WEIGHT:	
		THREE PLACE DECIMAL ± .005"		COMMENTS:		SHEET 3 OF 3	
		INTERPRET GEOMETRIC TOLERANCING PER ANS/ASME Y14.5M-2009					
		MATERIAL					
NEXT ASSY		USED ON		FINISH			
APPLICATION		DO NOT SCALE DRAWING					