

8 7 6 5 4 3 2 1

D

C

B

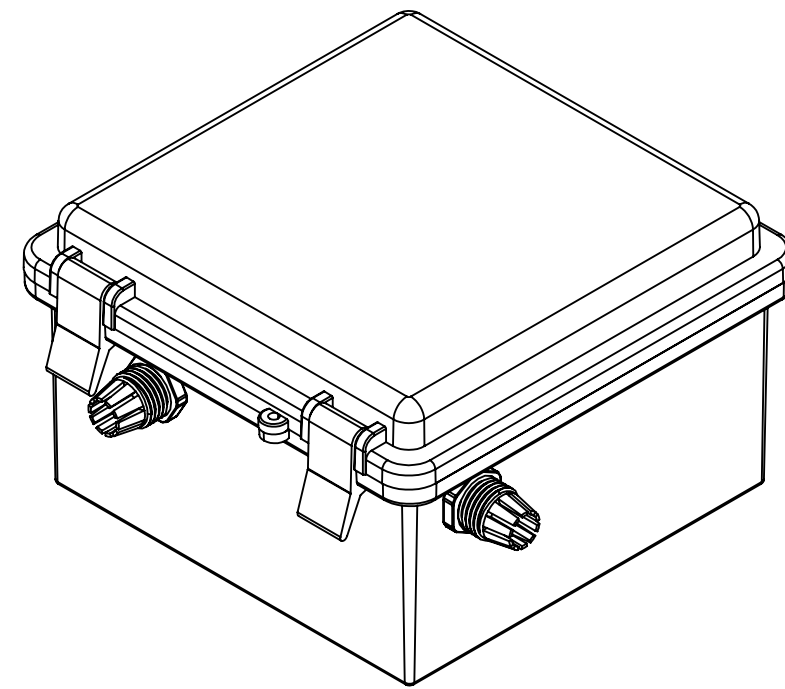
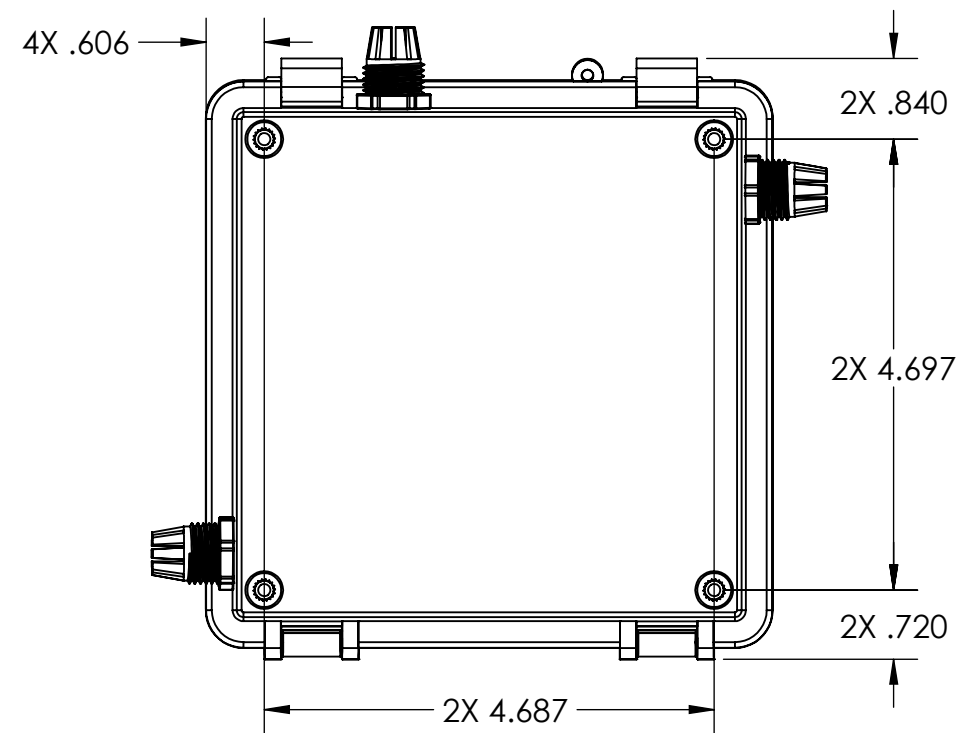
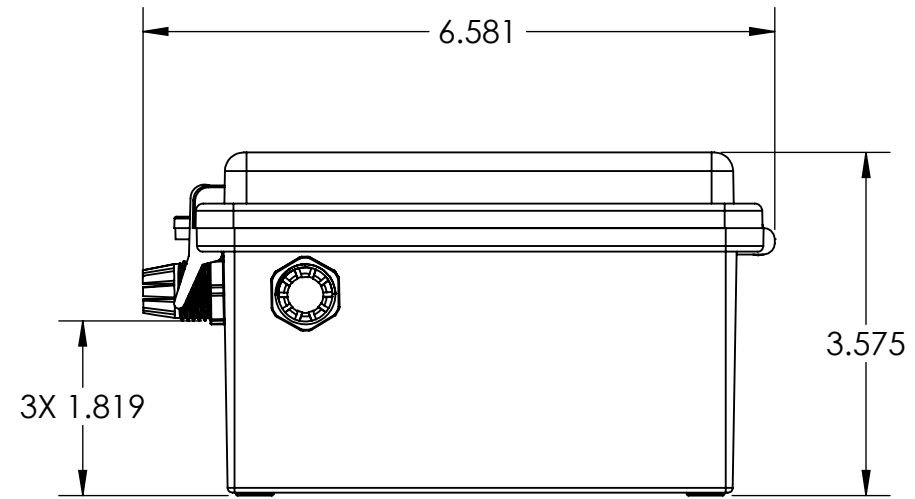
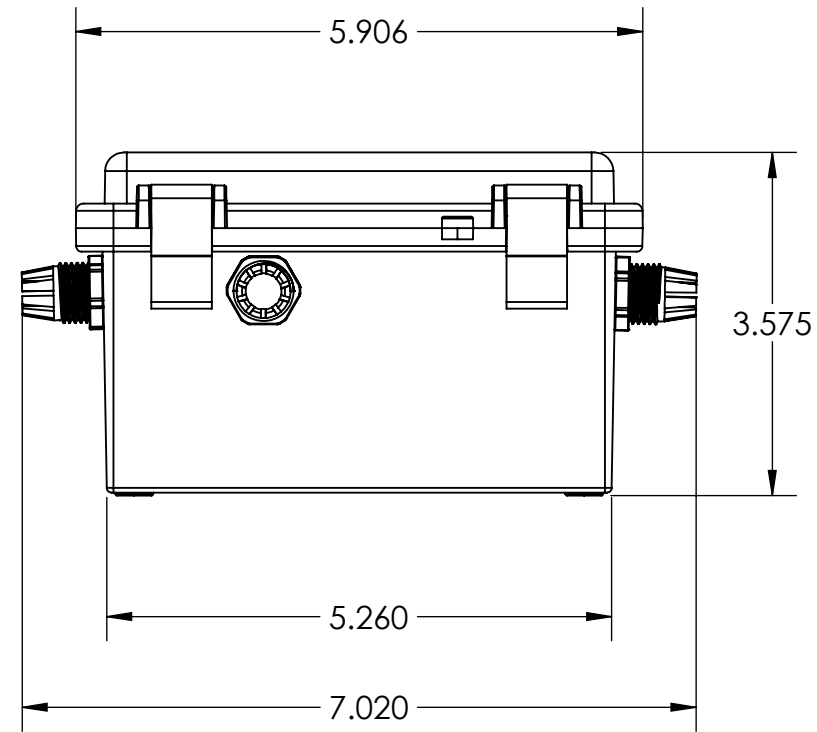
A

D

C

B

A



PROPRIETARY AND CONFIDENTIAL
 THE INFORMATION CONTAINED IN THIS DRAWING IS THE SOLE PROPERTY OF KENYON INTERNATIONAL. ANY REPRODUCTION IN PART OR AS A WHOLE WITHOUT THE WRITTEN PERMISSION OF KENYON INTERNATIONAL IS PROHIBITED.

		UNLESS OTHERWISE SPECIFIED:		NAME	DATE	KENYON INTERNATIONAL 8 HERITAGE PARK - PO BOX 925 CLINTON, CT 06413	
		DIMENSIONS ARE IN INCHES TOLERANCES: ANGULAR: MACH $\pm 0.50^\circ$ BEND $\pm 1.00^\circ$ TWO PLACE DECIMAL $\pm .01$ THREE PLACE DECIMAL $\pm .005$		DRAWN	BBC	2/5/19	TITLE:
		INTERPRET GEOMETRIC TOLERANCING PER ANSI/ASME Y14.5M-2009		CHECKED			SAFTEY LID SWITCH KIT
		MATERIAL		ENG APPR.			
NEXT ASSY	USED ON	FINISH		MFG APPR.			SIZE
APPLICATION		DO NOT SCALE DRAWING		Q.A.			DWG. NO.
				COMMENTS:			REV
							SCALE: 1:2
							WEIGHT:
							SHEET 1 OF 1

8 7 6 5 4 3 2 1