



Read me
FIRST

www.CookWithKenyon.com

KENYON[®]

Make any day a weekend

G2 GRILL- 1440W 120V
OWNERS MANUAL

Part # 145732
Created: January 21, 2020

Contents

IMPORTANT SAFETY INSTRUCTIONS.....3

Product Specifications.....5

Before Using the Grill

Quick Start Tips.....6

Operation

Power On.....9

Power On Indicator.....9

Power Level.....9

Power Level Graphic.....9

Temperature Setting Guide.....9

Grill Parts.....10

Lid Removal..... 11

Installation

Unpacking the Grill.....12

Check Electrical Supply Requirements.....12

Outlet Location13

Grill Placement.....13

Final Preparations Prior to Use.....13

Warranty.....14

Please read & save these instructions

Thank you for choosing **Kenyon**, the world's leading manufacturer of specialty cooking appliances. By following the instructions in this owners manual, your grill will provide you with many years of reliable service.

To ensure our ability to continue serving you, please use this page to record important product information.

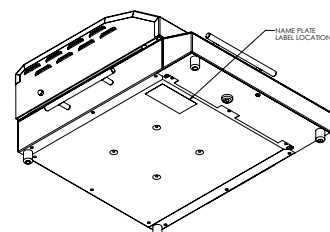
For quick reference please keep a record here:

Purchase date

Model number

Serial number

Name plate location



IMPORTANT SAFETY INSTRUCTIONS

**Read this section BEFORE operating the grill.
The following information applies to all
KENYON Grills.**

**THIS GRILL, LIKE ALL APPLIANCES, HAS THE POTENTIAL TO
CREATE SAFETY PROBLEMS THROUGH CARELESS AND
IMPROPER USE. PLEASE OBSERVE ALL OF THE
FOLLOWING SAFETY PRECAUTIONS.**

Read ALL instructions prior to using product.

CAUTION

Do not touch hot surfaces. Use handles or knobs.

To protect against electrical shock, do not immerse cord or plugs in water or other liquid.

Close supervision is necessary when any appliances are used near children.

Unplug from outlet when not in use and before cleaning. Allow to cool before putting on or taking off parts.

Do not operate appliance with a damaged power cord or plug. If the appliance malfunctions, discontinue use. Contact KENYON Customer Care immediately at (860) 664-4906.

The use of accessory attachments not supplied by Kenyon may cause injuries.

Do not use appliance for other than intended use.

Do not place on or near a hot gas or electric burner, or in a heated oven.

Store indoors when not in use, out of the reach of children.

Do not let cord hang over edge of table or counter, or touch hot surfaces.

Do not place on or near a hot gas or electric burner, or in a heated oven.

Extreme caution must be used when moving an appliance containing hot oil or other hot liquids.

To disconnect, turn control to "off", then remove plug from wall outlet.

Always place a minimum of three (3) cups of water in disposable drip tray prior to grilling.

Clean drip tray after each use to prevent possible fire.

Never leave children alone - children should not be left unattended around the grill at any time.

Cleaning and user maintenance shall not be made by children without adult supervision.

Allow the grill to cool before taking off the cooking grate, drip tray, lid or optional warming rack.

IMPORTANT SAFETY INSTRUCTIONS

Do not replace or attempt to repair any part of the grill, unless otherwise noted in this manual. All other service is to be performed by a factory authorized technician.

Ensure grill is installed per instructions and connected properly grounded GFCI outlet installed by a qualified electrician.

Do not use water to extinguish a grease fire, use dry chemical fire extinguisher.

The power supply cord should be regularly examined for signs of damage, and if the cord is damaged, the appliance must not be used.

Do not store flammable materials near the grill.

Fuel, such as charcoal briquettes, are not to be used with this appliance.

Do not wear loose fitting or hanging apparel when using the grill.

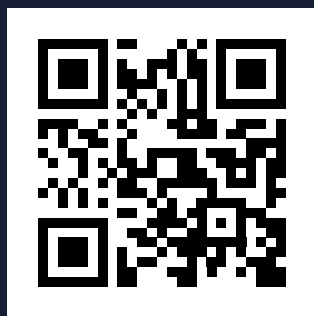
The appliance is not to be used by persons (including children) with reduced physical, sensory or mental capabilities, or lack of experience and knowledge, unless they have been given supervision or instruction.

DO NOT DISCARD THESE INSTRUCTIONS, KEEP THEM WITH THE KENYON GRILL FOR FUTURE REFERENCE.



WARNING!

Charcoal or similar combustible fuels must not be used with this appliance.



SCAN TO LEARN MORE

Clean grate(s) and drip tray(s) before and after use.

Always fill the drip tray(s) with liquid before grilling.

Preheat grill for 5-7 minutes.

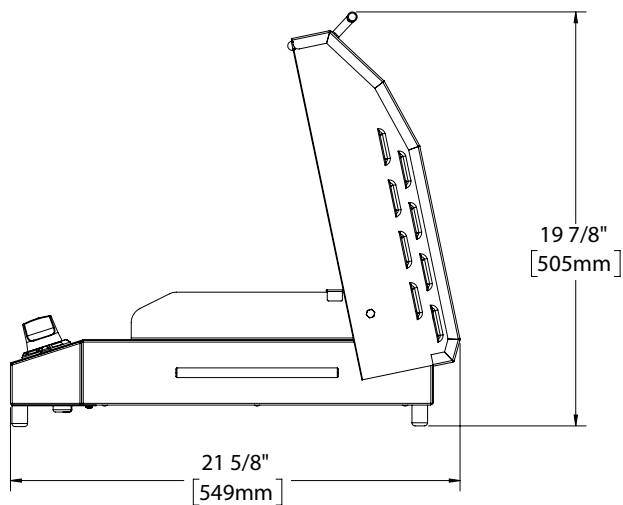
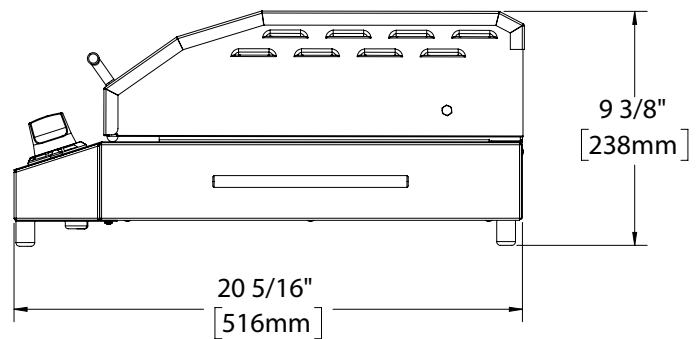
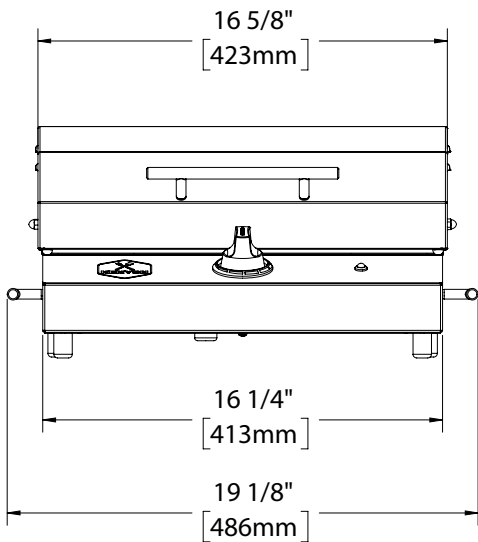
Point your phone's camera at the QR Code to view our Quick Start Tips video for the Electric Grill.

Product Specifications

G2 Grill Model B70605

BURNER DATA		
VOLTAGE	AMPS	OUTPUT IN WATTS
120V AC	12	1440

PRODUCT DIMENSIONS		
WIDTH	DEPTH	HEIGHT
19 1/8"	20 5/16"	9 3/8"
486mm	516mm	238mm



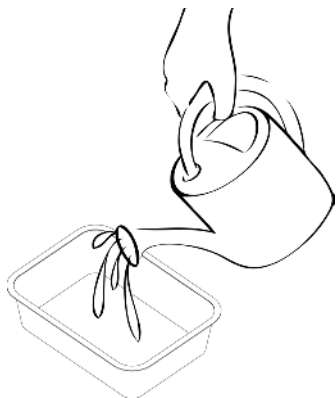
Before Using the Grill

1 Remove the cooking grate, drip tray and optional warming rack from the grill. Wash the grill with warm soapy water using a non-abrasive cloth. **USE ONLY HIGH TEMP PLASTIC UTENSILS WHEN GRILLING.** Visit our website to purchase a set of high quality stainless steel/high temp plastic grill utensils, www.cookwithkenyon.com.



2 Make sure the drip tray is inserted all the way into the bottom of grill and electric element bracket is resting on the element support bracket.

3 Cover the bottom of the drip tray with a liquid. Water is fine. **PLEASE DO NOT USE A FLAMMABLE LIQUID!** Doing so would ruin your cookout. Using apple juice if you are grilling pork adds a nice flavor to the meat. A can of lime soda is wonderful if you are grilling fish. **Just remember always add liquid to the drip tray prior to grilling.**



4 To keep your grill smoke free, always clean the grilling surface after each use. Simply wash with warm soapy water using a non-abrasive cloth or place in your dishwasher. Empty the drip tray and wipe with a damp paper towel.



5 Place your cooking grate onto the element with drip tray installed.

6 Preheat grill with the lid closed for 8 - 10 minutes on desired heat setting for type of food:

- Steak 7-8 bars
- Burgers 6-7 bars
- Chicken, Pork and Fish 4-5 bars
- Vegetables - 3-4 bars

7 Close the lid and cook. Enjoy the best grilled food you have ever tasted!

8 Clean up. After the grill has cooled to the touch, take a few pieces of wet paper towel and place on the grilling surface. Then using your high temperature nylon tongs, swab the paper toweling back and forth to loosen up the residue from your grilling. Throw the paper towel away and wipe the grates off with a dry paper towel.

9 Once the grate has cooled sufficiently, remove the grate and place in your dishwasher for a thorough cleaning.

10 With the grate removed, lift up the electric elements and remove the drip tray. Empty the contents of the drip tray in an appropriate place. Wipe the tray out with a dry paper towel and reuse the tray.

11 After you have used your grill many times, you may want to wash the lid. It can be placed in your dishwasher and run on the pots & pans cycle. This will restore your grill to its original pristine look.

12 To clean the grill, first be sure the cooking surface has cooled enough to handle. Then remove the grate, lift up the electric element until it locks in the up position, then remove the drip tray and place them into your dishwasher.

Before Using the Grill

- 13** Wipe the stainless steel surfaces with a damp cloth to remove any residue from previous grilling sessions.
- 14** Use a stainless steel cleaner once a month to keep your grill looking like new.
Cerama Bryte Stainless Steel Polish Kit (A70045) available at www.cookwithkenyon.com.
- 15** **Do not remove the control knob for cleaning.** Do not pour water directly on the knob or under the knob as this could possibly make its way into the control.
- 16** Do not submerge the grill in water or other liquid as this will cause an electrical short and possible shock which may cause death to the user.

Operation

DO NOT USE WATER ON GREASE FIRES

Smother fire or flame or use dry chemical or foam-type extinguisher.

USE ONLY DRY POT HOLDERS

Moist or damp pot holders on hot surfaces may result in burns from steam. Do not let pot holder touch the grate or element of the grill. Do not use a towel or other bulky cloth in place of a pot holder.

DO NOT COOK ON BROKEN GRILL GRATE OR GRIDDLE

If the grate should break, grease and oils may come into direct contact with the electric element and create a risk of electric shock or fire. Contact an authorized service center or KENYON Customer Care immediately at (860) 664-4906.

CLEAN GRILL WITH CAUTION

If a wet sponge or cloth is used to wipe spills on a hot cooking surface, be careful to avoid steam burns. Some cleaners produce noxious fumes if applied to a hot surface. Read the cleaner label for details prior to using.

DO NOT TOUCH HEATING ELEMENT OR GRATE

The heating element and grate will be hot for some time after cooking. These components should be allowed to cool and then handled with care and caution while cleaning, as they may be hot enough to cause severe burns.

DO NOT USE POTS OR OTHER BAKEWARE ON THE GRILL

CLEAN GRILL AFTER EACH USE

This appliance is equipped with removable, permanent drip tray. The drip tray **MUST** be removed and cleaned after each and EVERY use. Do not allow grease to accumulate between cooking. The drip tray and baffle tray **MUST** be used when cooking on the grill. Excessive grease may spill over into the interior of the grill, voiding your warranty and posing a fire hazard.

DO NOT CLEAN UNIT WITH PRESSURIZED WATER

Never clean the grill with any form of pressurized water or other types of cleaners. Doing so will void the warranty and may pose a serious risk of electric shock. Always clean the grill with a cloth and a stainless steel or glass surface cleaner.

STORAGE

Store indoors when not in use.

TO PREVENT SMOKE

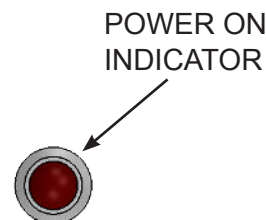
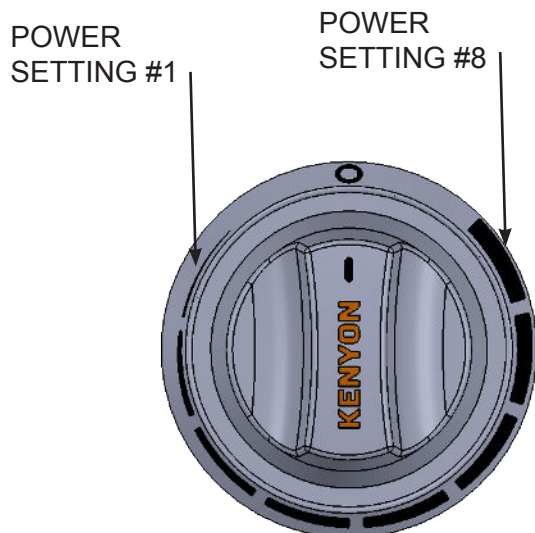
To prevent the contents of the drip tray from smoking, place 3 cups of water (or enough to cover the bottom of the pan) in the drip tray before cooking.

NEVER LEAVE GRILL UNATTENDED AT HIGH HEAT SETTINGS

High heat setting may cause heavy smoking and ignite grease.

DO NOT USE EXTENSION CORDS

**KEEP THESE INSTRUCTIONS WITH THE GRILL
FOR FUTURE REFERENCE**



Power On

To turn on the power you must *push the knob down* and rotate either clockwise (highest) or counter-clockwise (lowest) to activate the heat setting.

Power On Indicator

The red LED display, when illuminated, indicates the grill is ON.

Power Level

There are infinite power levels for the grill. The lowest setting is indicated with the very thin line. As the line increases in thickness the power level increases.

Power Level Graphic

Depicts the level of heat output of the element. The line sweeps from thin to thick, indicating low to high power. The line is broken into eight segments.

Temperature Setting Guide

The following is meant to be a guideline. Individual results may vary depending on conditions. Factors such as wind, and outside temperatures, food temperature when placed on grill can affect cooking times. The grill is designed and engineered for optimal cooking performance with the lid closed.

SETTING	FOOD TYPES
1	Warming
2	Reheating
3	Vegetables
4	Vegetables - Fish
5	Fish - Chicken
6	Chicken - Hamburgers
7	Hamburgers - Steaks
8	Steaks



IMPORTANT!

Do not remove the control knob for cleaning.

Operation

Grill Parts

Heating Element

The heating element is designed to pivot as shown to remove/replace the drip tray. It will stay in the up position. To put down apply slight downward pressure.

Baffle Tray

The baffle tray supports the drip tray, heating element and grate and must always be used when operating the grill.

Drip Tray

The drip tray collects all the fat and juices created during the cooking process. The drip tray must be emptied after each use. When replacing the drip tray, position the drip tray so that it is completely contained ensuring that the side or the rim of the drip tray does not protrude.

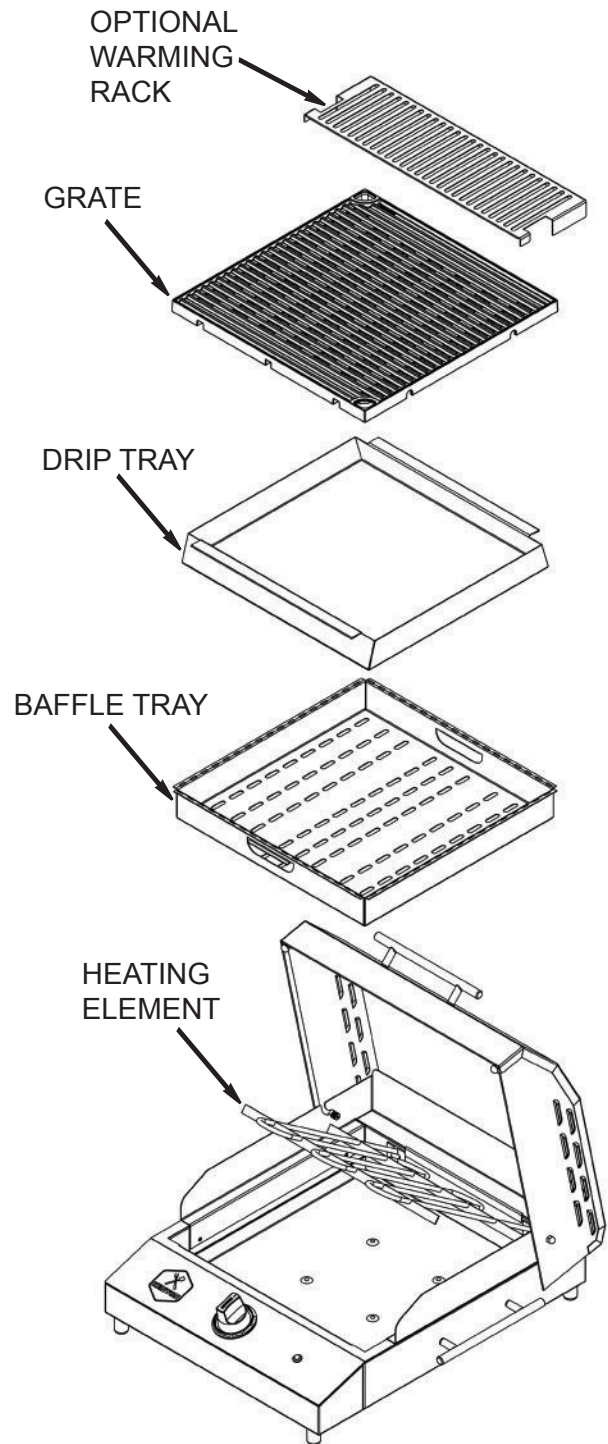
To prevent the contents of the drip tray from smoking, place 3 cups of water (or enough to cover the bottom of the pan) in the drip tray before cooking.

Grate

The grate **must** be cleaned after every use. The grate has a nonstick coating for ease of cleaning. Wash the grate after each use in warm soapy water.

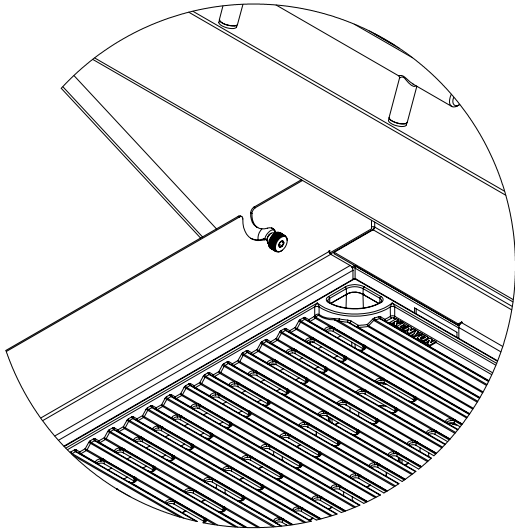
Optional Warming Rack

The optional warming rack allows you to create the perfect spot to toast buns or keep burgers or hotdogs warm as you finish grilling the rest of your meal.

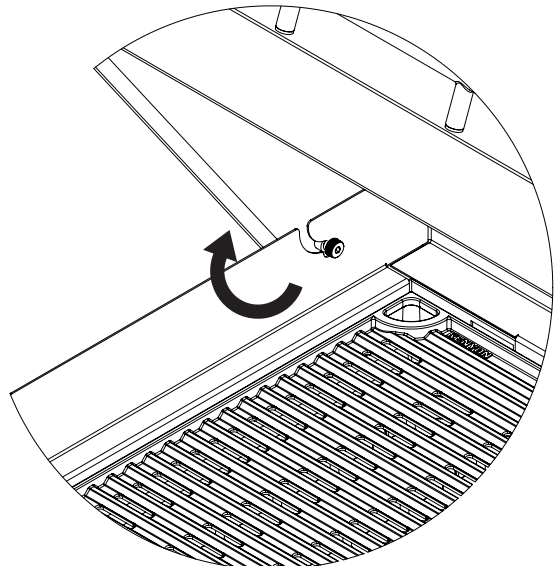


Lid Removal

The grill lid is removable for cleaning. To remove the lid, ensure the lid is in the “open” position and cool to the touch. Grasp each side of the lid with both hands and slightly angle the lid forward.



Lift the lid up and out of the guided cutout. Once the lid is removed, it can be washed in warm, soapy water or in the dishwasher on pots and pans setting.



Installation

Unpacking the Grill

- 1 Carefully unpack the grill from its shipping container. If any components are missing or damaged, call KENYON immediately.

Check the Electrical Supply Requirements

- 2 This product must be used in accordance with national, state and local electric codes. The following table provides the correct voltage, amperage and frequency that must be supplied to the grill.

The supply must be from an individual GFCI circuit that is protected by a circuit breaker and rated per the specifications for the model as shown in the table below.

<u>ELECTRICAL SUPPLY REQUIREMENTS</u>			
KENYON PART NUMBER	MAX CONNECTED LOAD	POWER SUPPLY INPUT	PLUG TYPE
B70605	1440 Watts	120V AC 12A 50/60Hz	3 Prong 15A Grounded US Cord



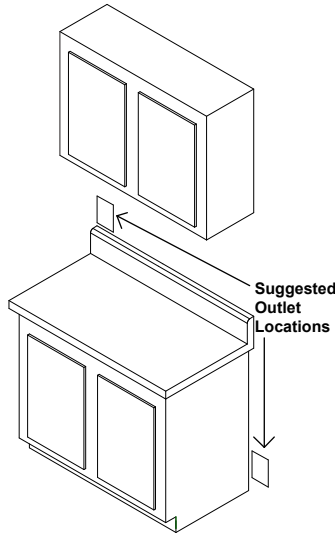
WARNING!

If the electrical supply does not meet the product specifications, consult with a licensed electrician before proceeding!

Installation

Outlet Location

- 3 Be sure the electrical outlet intended for the grill is in an easily accessible location. This allows the user to easily plug and unplug the grill. This is necessary to ensure safe cleaning and storage of the grill.



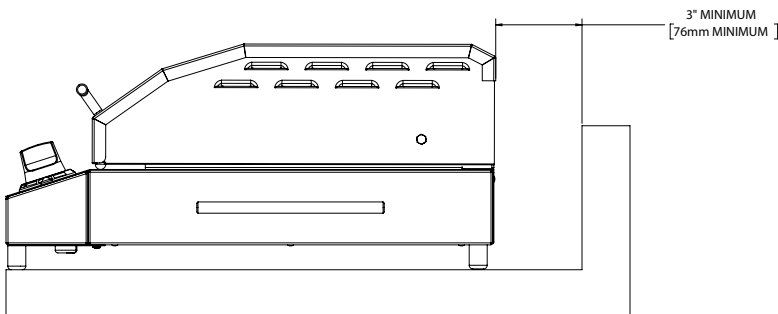
Final Preparations Prior to Use

- 5 Remove the protective plastic film from the lid. Clean the grill before you use it for the first time. A thorough cleaning with a stainless steel or glass cleaner will remove any traces of plastic film adhesives.

Wash the nonstick coated grates in warm soapy water before using the grill.

Grill Placement

- 4 The grill must be placed at least 3" (76mm) away from any rear surface such as a wall or cabinet.



Kenyon International, Inc (the "Company") warrants its products in normal usage to be free of defects in materials and workmanship subject to the conditions and limitations below.
Any part, which proves to be defective in normal usage during the warranty period will be repaired or replaced by the Company.

In order for product to be covered under this warranty it must be returned to the Company for evaluation. Please contact support@cookwithkenyon.com for return instructions.

This warranty covers certain products built by the Company and is subject to the following conditions and limitations:

1. The Company's liability shall be limited to repair or replacement (choice of remedy at Company's option) of electronic components as may be defective in materials or workmanship. This liability is limited to three years from the date of original installation or 42 months from invoice date, whichever comes first; this warranty covers parts and labor at pre-approved rates. Stainless steel is warranted with a lifetime guarantee to be rust free when cared for monthly as outlined in owner's manual. If corrosion begins, contact the Company with photo evidence of corrosion for replacement components.
2. Determination of suitability of the product for the use contemplated by the Buyer is the sole responsibility of the Buyer and the Company shall have no responsibility in connection with such suitability.
3. The Company shall not be liable for any damage resulting from:
 - failures due to use of the product in applications for which they are not intended;
 - failures due to corrosion, wear and tear, abuse, neglect, improper installation or maintenance;
 - failures due to breakage of glass, accidental or otherwise.
4. The Company shall be responsible for ground shipping charges to the location of the appliance (home) within the Continental United States and Canada. Any duties, express or special shipping charges are at the expense of the Buyer.
5. All labor allowed by the Company under this warranty must be pre-authorized and performed by an Authorized Kenyon International Service Center, unless otherwise specified in writing by the Company.

THERE ARE NO OTHER WARRANTIES OF MERCHANTABILITY, FITNESS FOR PURPOSE OR ANY OTHER KIND, EXPRESSED OR IMPLIED AND NONE SHALL BE IMPLIED BY LAW. The duration of any such warranties that are nevertheless implied by law for the benefit of a consumer, shall be limited to a period of three years from original purchase by the user. Some countries do not allow limitations on how long an implied warranty lasts, so this limitation may not apply to you.

THE COMPANY SHALL NOT BE LIABLE FOR CONSEQUENTIAL OR INCIDENTAL DAMAGES ARISING FROM THE BREACH OF THIS WARRANTY, WHETHER EXPRESSED, IMPLIED OR STATUTORY. Some countries or states do not allow exclusion or limitation of consequential or incidental damages so this limitation or exclusion may not apply to you.

THIS WARRANTY GIVES YOU SPECIFIC LEGAL RIGHTS AND YOU MAY ALSO HAVE OTHER LEGAL RIGHTS THAT MAY VARY FROM COUNTRY TO COUNTRY AND STATE TO STATE.

Kenyon International, Inc.
P.O. Box 925 • 8 Heritage Park Road • Clinton, CT 06413 USA
Phone (860) 664-4906 FAX: (860) 664-4907

Effective 1/1/2019

SAVE THESE INSTRUCTIONS