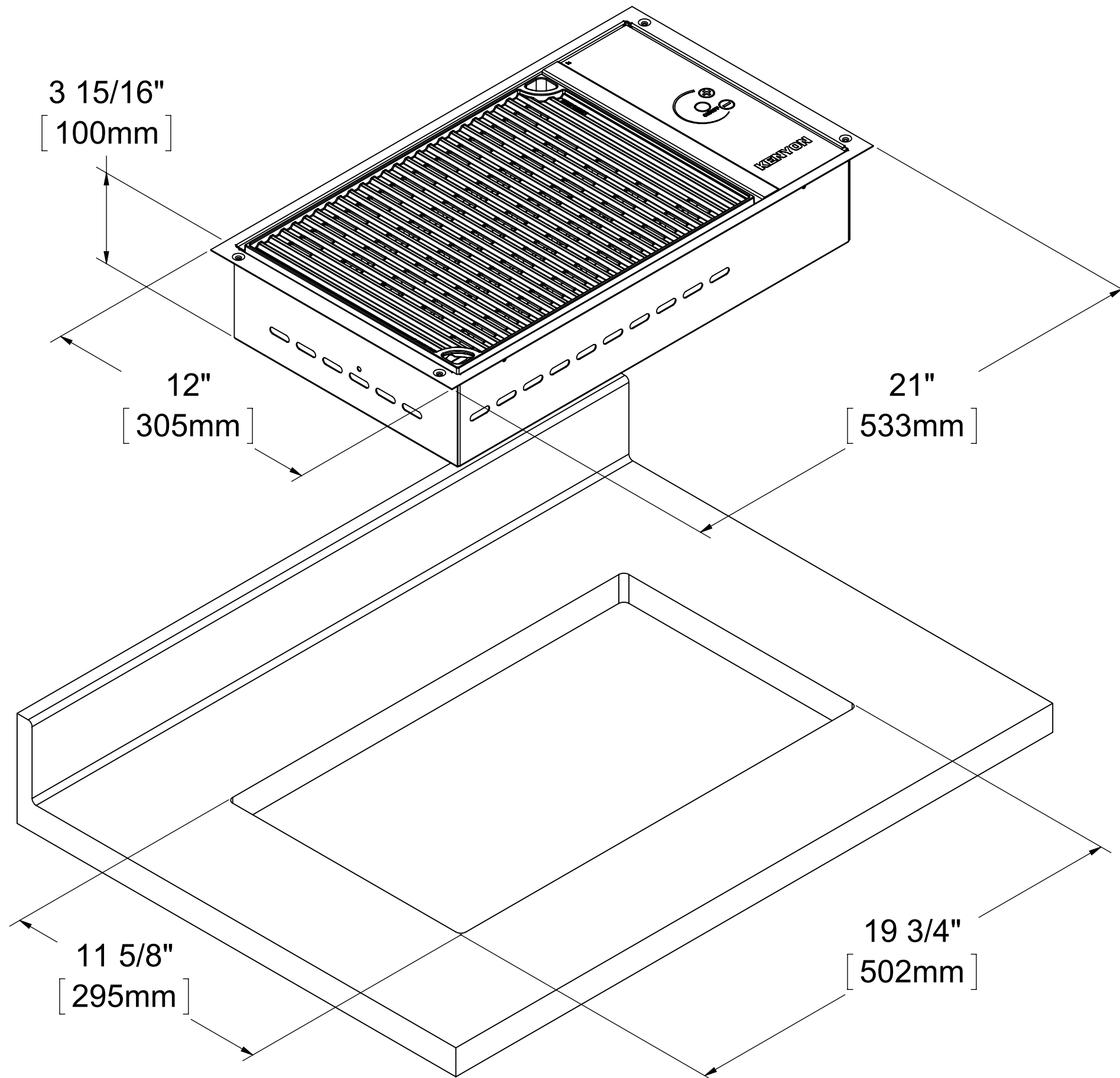
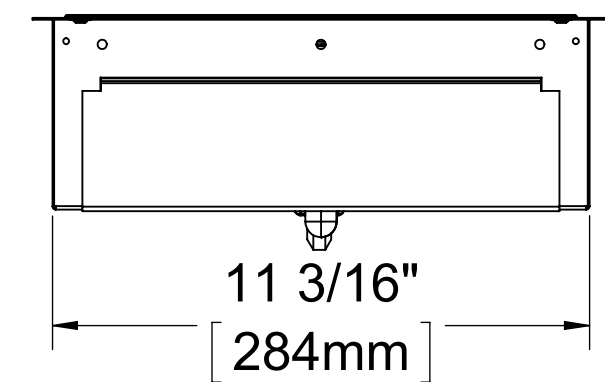
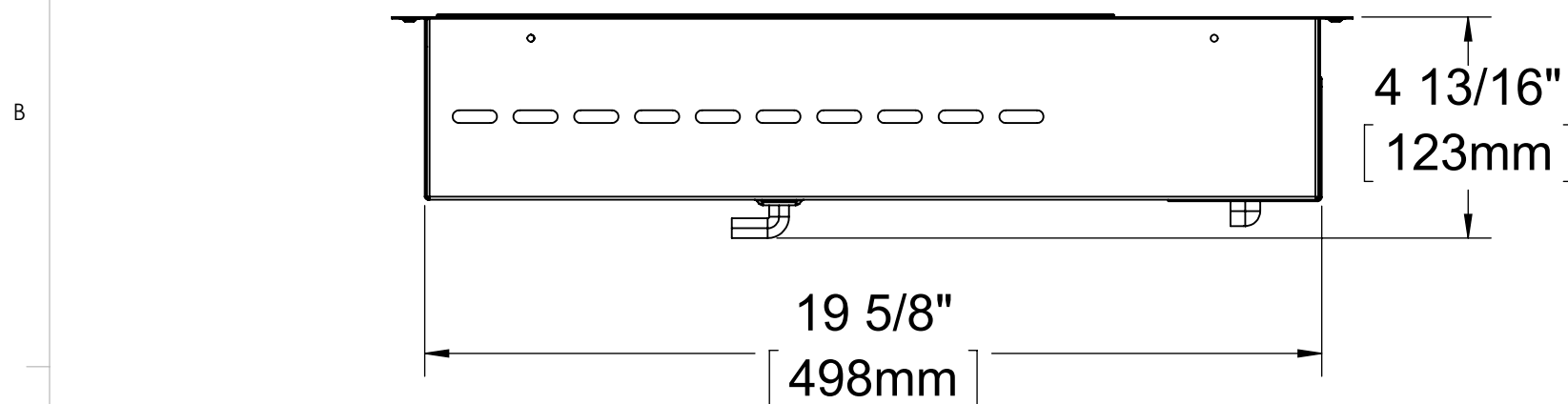
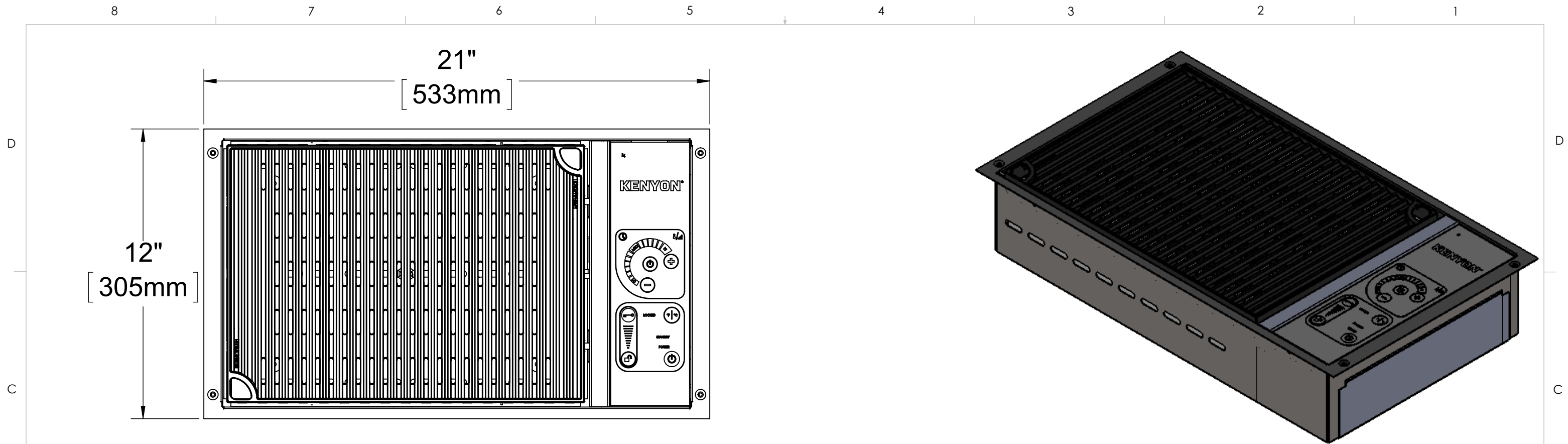


PROPRIETARY AND CONFIDENTIAL
 THE INFORMATION CONTAINED IN THIS DRAWING IS THE SOLE PROPERTY OF KENYON INTERNATIONAL. ANY REPRODUCTION IN PART OR AS A WHOLE WITHOUT THE WRITTEN PERMISSION OF KENYON INTERNATIONAL IS PROHIBITED.

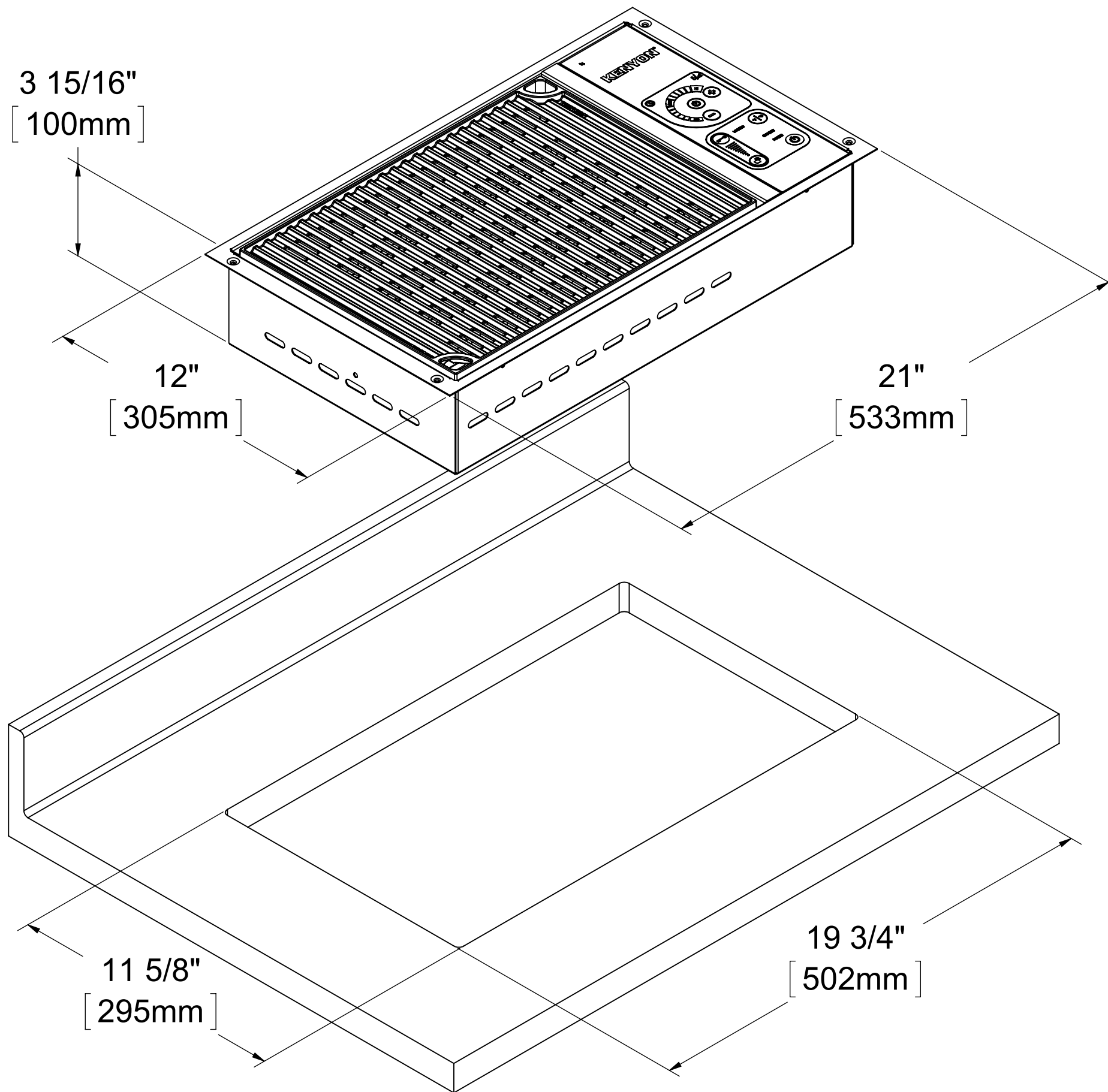
		UNLESS OTHERWISE SPECIFIED:		NAME	DATE	KENYON INTERNATIONAL 8 HERITAGE PARK - PO BOX 925 CLINTON, CT 06413	
		DIMENSIONS ARE IN INCHES TOLERANCES: ANGULAR: MACH ± 0.50° BEND ± 1.00° TWO PLACE DECIMAL ±.01 THREE PLACE DECIMAL ±.005		DRAWN	GSP	4/26/18	TITLE: 120V ELECTRIC GRILL NO LID
		INTERPRET GEOMETRIC TOLERANCING PER ANSI/ASME Y14.5M-2009		CHECKED			
		MATERIAL		ENG APPR.			
NEXT ASSY	USED ON	FINISH		MFG APPR.			
APPLICATION		DO NOT SCALE DRAWING		Q.A.			
				COMMENTS:			
		SIZE	DWG. NO.	REV			
		B	B70060				
		SCALE: 1:1	WEIGHT:	SHEET 1 OF 2			

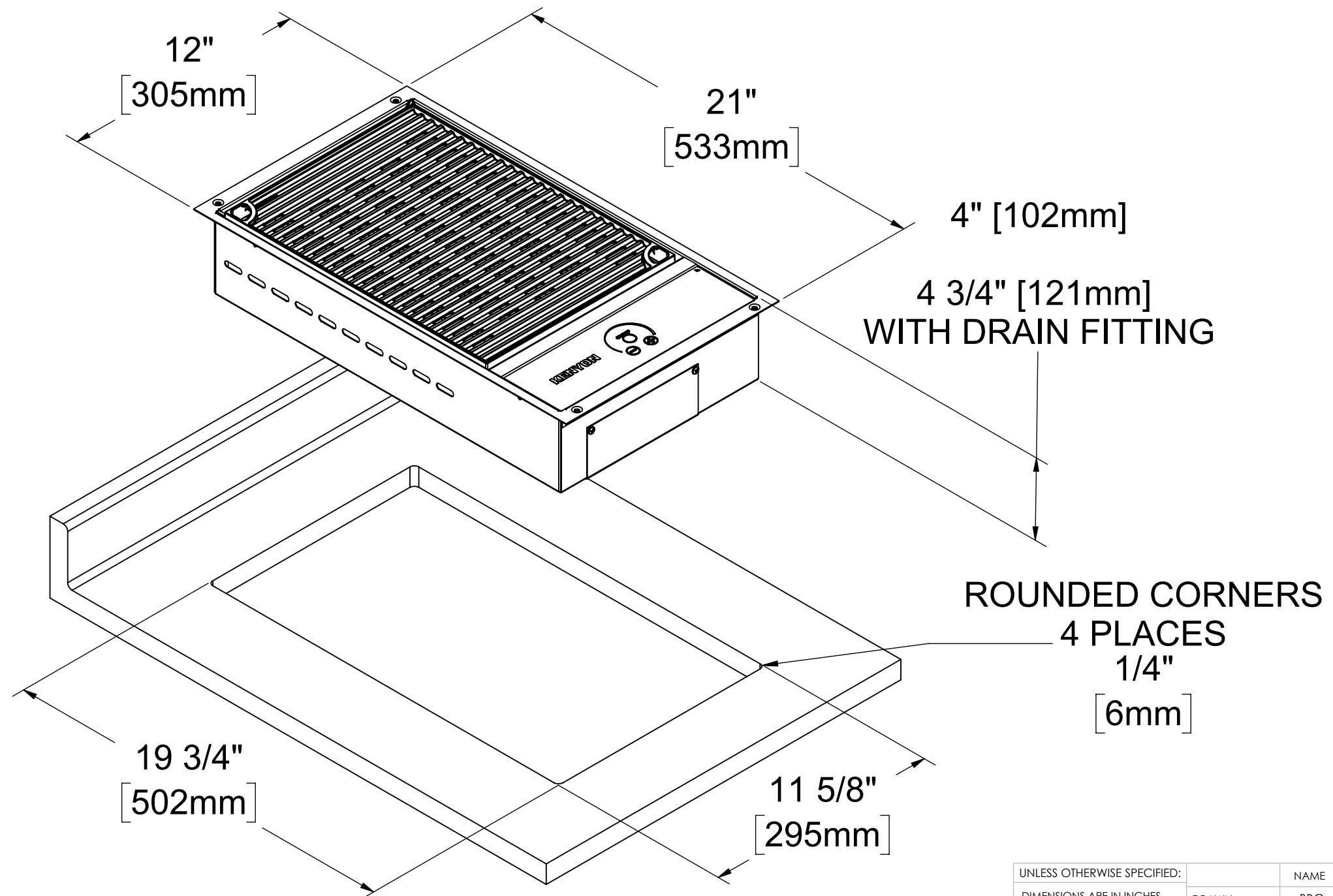




PROPRIETARY AND CONFIDENTIAL
 THE INFORMATION CONTAINED IN THIS DRAWING IS THE SOLE PROPERTY OF KENYON INTERNATIONAL. ANY REPRODUCTION IN PART OR AS A WHOLE WITHOUT THE WRITTEN PERMISSION OF KENYON INTERNATIONAL IS PROHIBITED.

		UNLESS OTHERWISE SPECIFIED:		NAME	DATE	KENYON INTERNATIONAL 8 HERITAGE PARK - PO BOX 925 CLINTON, CT 06413	
		DIMENSIONS ARE IN INCHES TOLERANCES: ANGULAR: MACH ± 0.50° BEND ± 1.00° TWO PLACE DECIMAL ±.01 THREE PLACE DECIMAL ±.005		DRAWN	GSP	10/26/17	TITLE: SINGLE ZONE INTELLIKEN NO LID
		INTERPRET GEOMETRIC TOLERANCING PER ANSI/ASME Y14.5M-2009		CHECKED			
		MATERIAL		ENG APPR.			
		FINISH		MFG APPR.			
NEXT ASSY	USED ON	DO NOT SCALE DRAWING		Q.A.			SIZE DWG. NO. B B70560, B70561, 245190, 245191
APPLICATION				COMMENTS:			REV
							SCALE: 1:1 WEIGHT: SHEET 1 OF 2





PROPRIETARY AND CONFIDENTIAL
 THE INFORMATION CONTAINED IN THIS DRAWING IS THE SOLE PROPERTY OF KENYON INTERNATIONAL. ANY REPRODUCTION IN PART OR AS A WHOLE WITHOUT THE WRITTEN PERMISSION OF KENYON INTERNATIONAL IS PROHIBITED.

UNLESS OTHERWISE SPECIFIED:		NAME	DATE	KENYON INTERNATIONAL 8 HERITAGE PARK - PO BOX 925 CLINTON, CT 06413	
DIMENSIONS ARE IN INCHES		DRAWN	BBC	4/9/21	TITLE: PORTRAIT NO LID TRIMLINE GRILL
TOLERANCES:		CHECKED			
ANGULAR: MACH ± 0.50°		ENG APPR.			
BEND ± 1.00°		MFG APPR.			
TWO PLACE DECIMAL ±.01		Q.A.			SIZE
THREE PLACE DECIMAL ±.005		COMMENTS:			DWG. NO.
INTERPRET GEOMETRIC TOLERANCING PER ANSI/ASME Y14.5M-2009					REV
MATERIAL					SCALE: 1:5
FINISH					WEIGHT:
DO NOT SCALE DRAWING					SHEET 1 OF 1