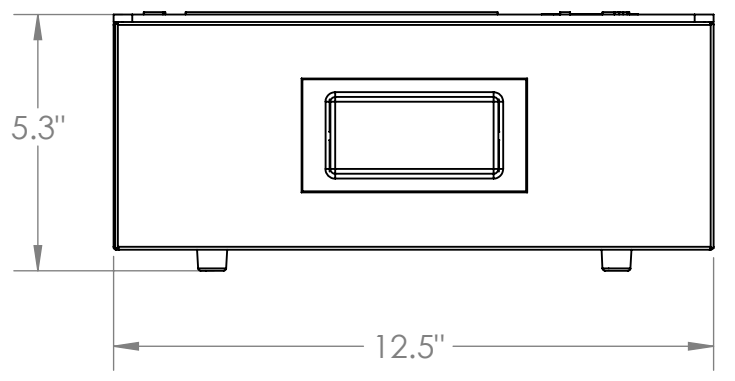
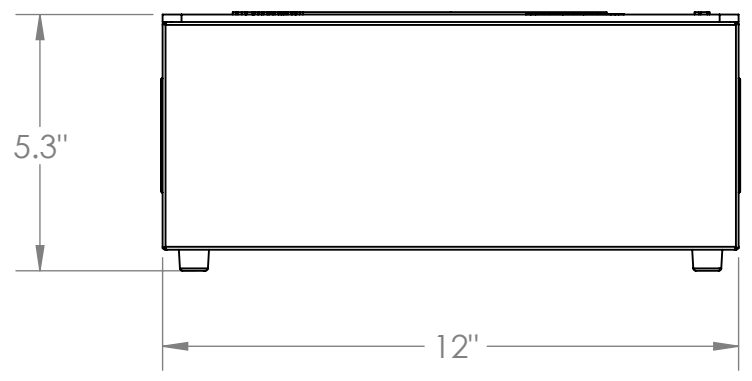
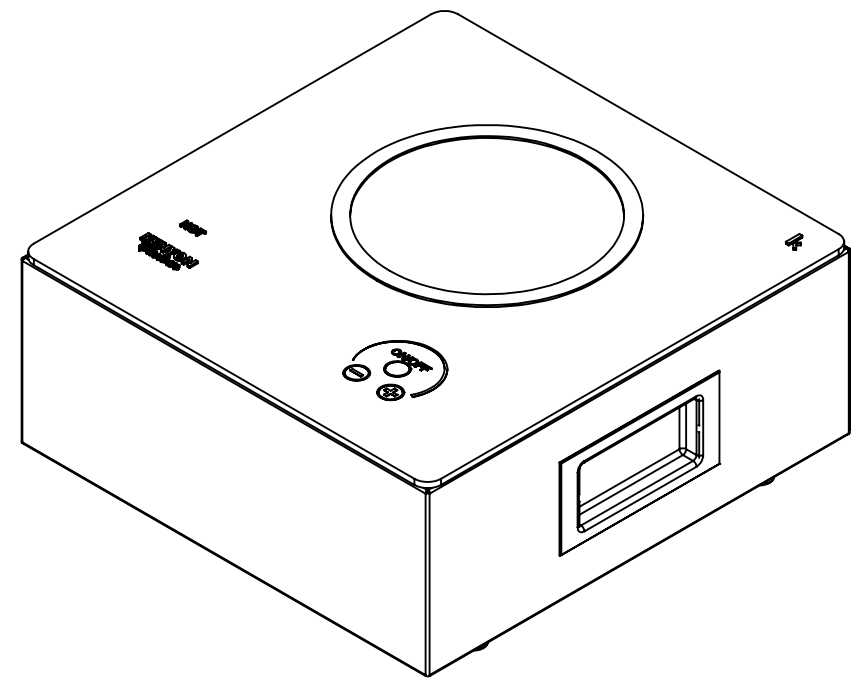
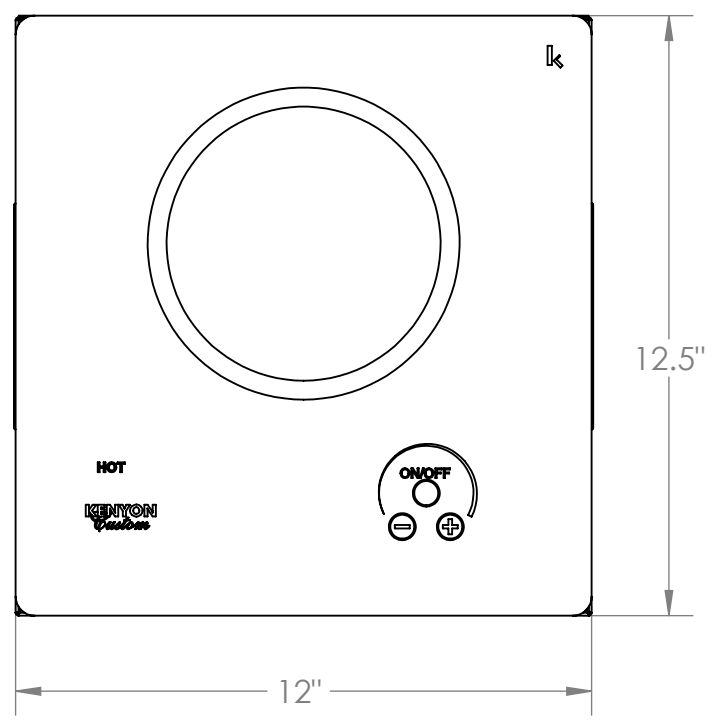


8 7 6 5 4 3 2 1

D
C
B
A



**Unit supplied with GFCI cord.
Unit rated 120V, 1200W (10A).**

PROPRIETARY AND CONFIDENTIAL
THE INFORMATION CONTAINED IN THIS DRAWING IS THE SOLE PROPERTY OF KENYON INTERNATIONAL. ANY REPRODUCTION IN PART OR AS A WHOLE WITHOUT THE WRITTEN PERMISSION OF KENYON INTERNATIONAL IS PROHIBITED.

		UNLESS OTHERWISE SPECIFIED:		NAME	DATE	KENYON INTERNATIONAL 8 HERITAGE PARK - PO BOX 925 CLINTON, CT 06413	
		DIMENSIONS ARE IN INCHES TOLERANCES: ANGULAR: MACH ± 0.50° BEND ± 1.00° TWO PLACE DECIMAL ± .010" THREE PLACE DECIMAL ± .005"		DRAWN	TAV	6/2012	TITLE: 1B QT Outdoor UL w/ Portable Enclosure
		INTERPRET GEOMETRIC TOLERANCING PER: ANSI		CHECKED			
		MATERIAL		ENG APPR.			
		FINISH		MFG APPR.			
NEXT ASSY	USED ON			Q.A.			SIZE
APPLICATION		DO NOT SCALE DRAWING		COMMENTS:			DWG. NO.
							B
							B41570
							REV
							SCALE: 1:4
							WEIGHT:
							SHEET 1 OF 1

8 7 6 5 4 3 2 1