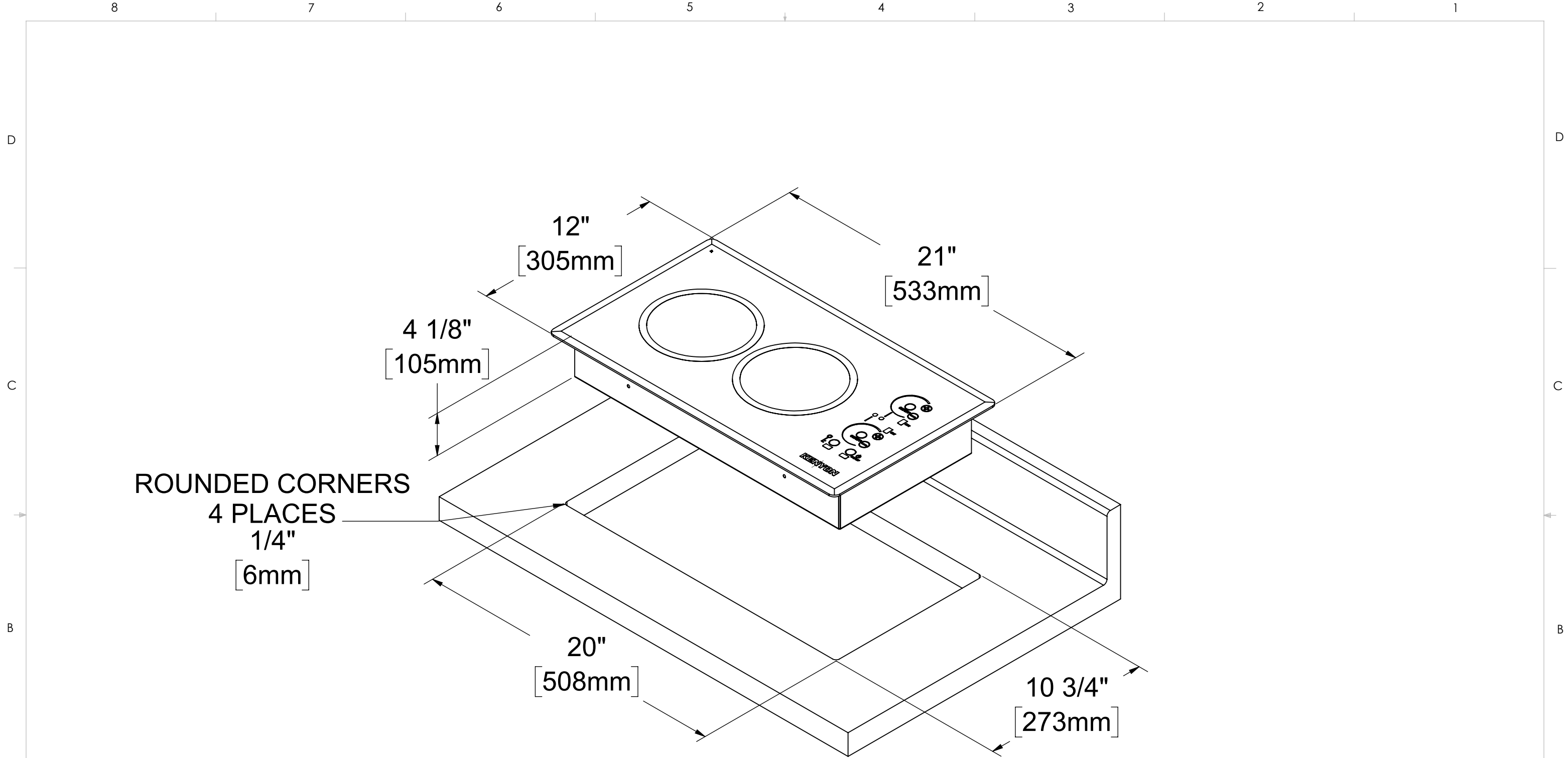


Models B41575, B41576, & B41579



ROUNDED CORNERS
4 PLACES
1/4"
[6mm]

UNLESS OTHERWISE SPECIFIED:
DIMENSIONS ARE IN INCHES
TOLERANCES:
ANGULAR: MACH ± 0.50°
BEND ± 1.00°
TWO PLACE DECIMAL ± .01
THREE PLACE DECIMAL ± .005
INTERPRET GEOMETRIC TOLERANCING PER ANSI/ASME Y14.5M-2009
MATERIAL
FINISH
DO NOT SCALE DRAWING

PROPRIETARY AND CONFIDENTIAL
THE INFORMATION CONTAINED IN THIS DRAWING IS THE SOLE PROPERTY OF KENYON INTERNATIONAL. ANY REPRODUCTION IN PART OR AS A WHOLE WITHOUT THE WRITTEN PERMISSION OF KENYON INTERNATIONAL IS PROHIBITED.

	NAME	DATE
DRAWN	BBC	4/8/21
CHECKED		
ENG APPR.		
MFG APPR.		
Q.A.		
COMMENTS:		

KENYON INTERNATIONAL 8 HERITAGE PARK - PO BOX 925 CLINTON, CT 06413		
TITLE: 2BTC TRIMLINE LANDSCAPE		
SIZE B	DWG. NO.	REV
SCALE: 1:5	WEIGHT:	SHEET 1 OF 1