

8

7

6

5

4

3

2

1

F

E

D

C

B

A

F

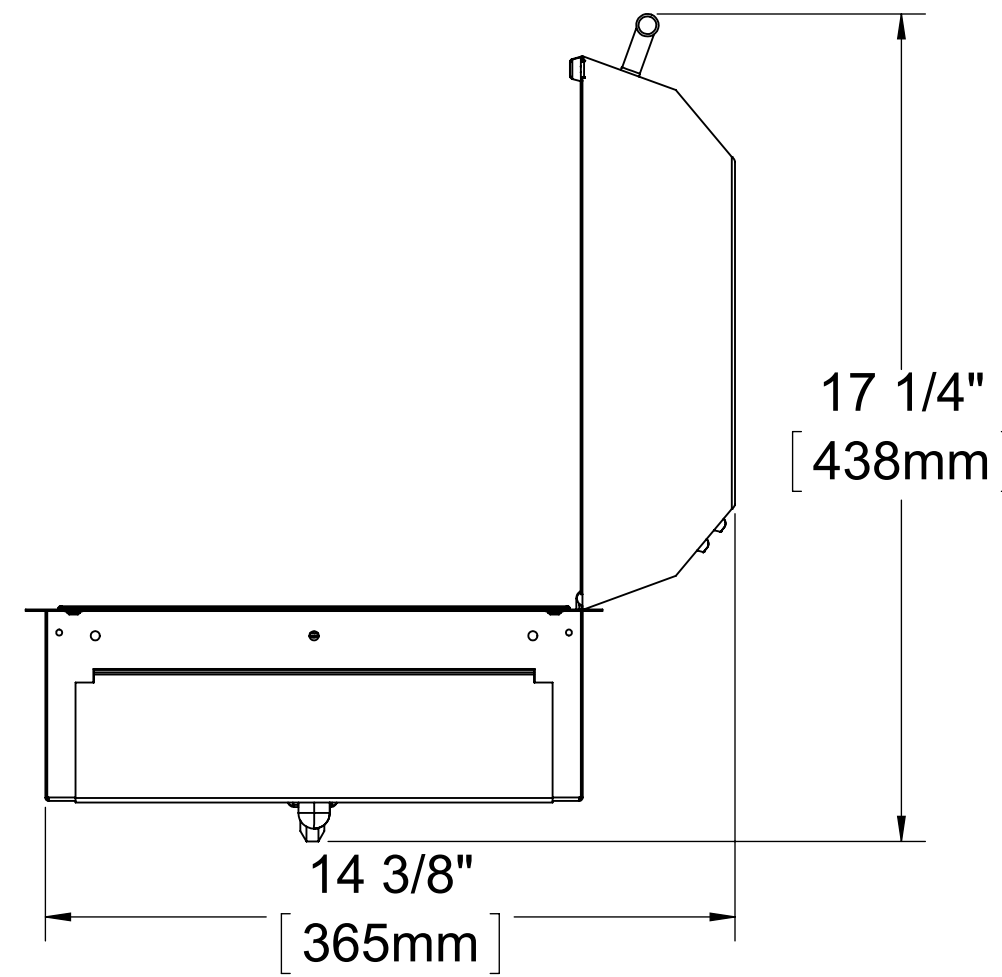
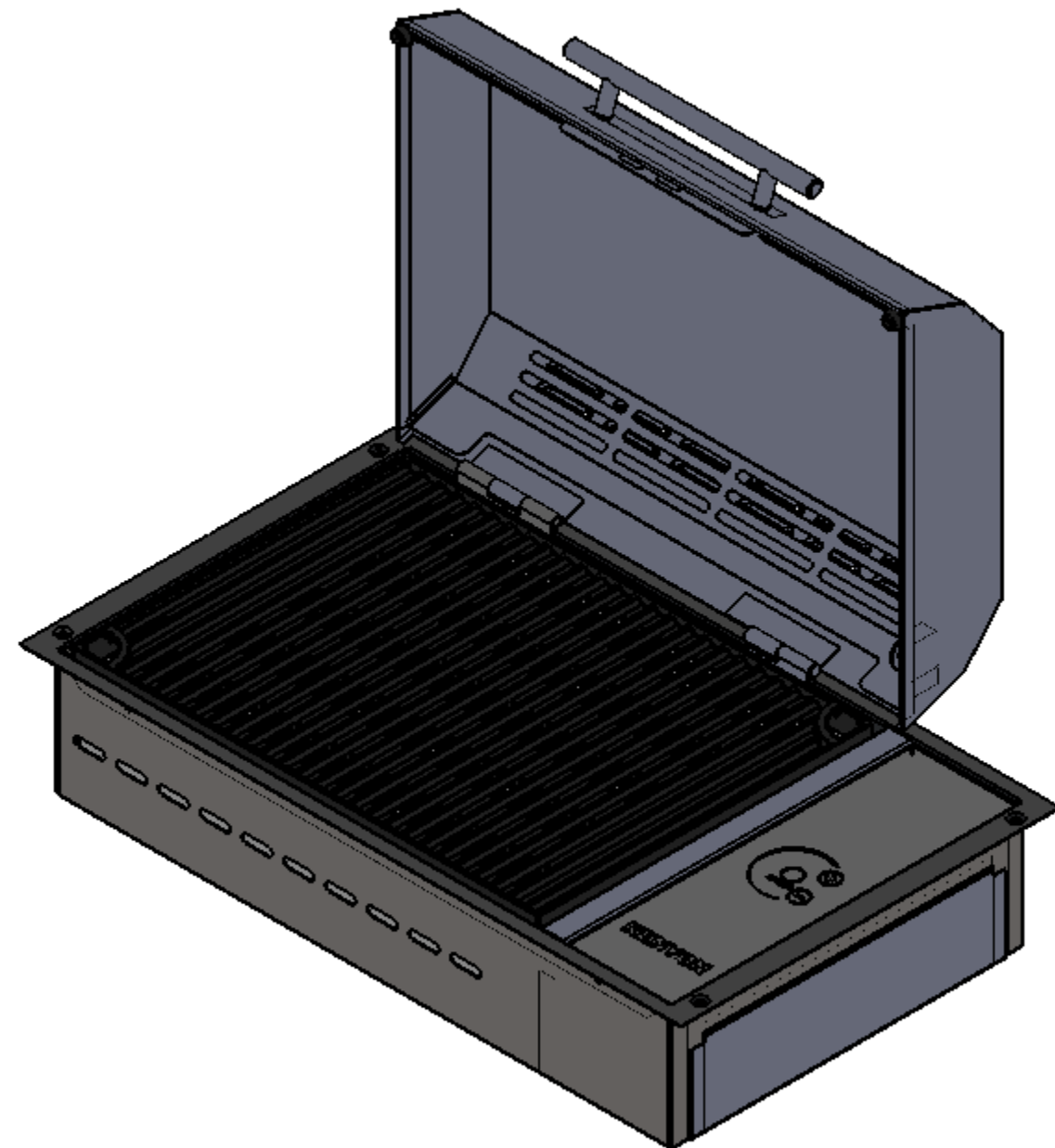
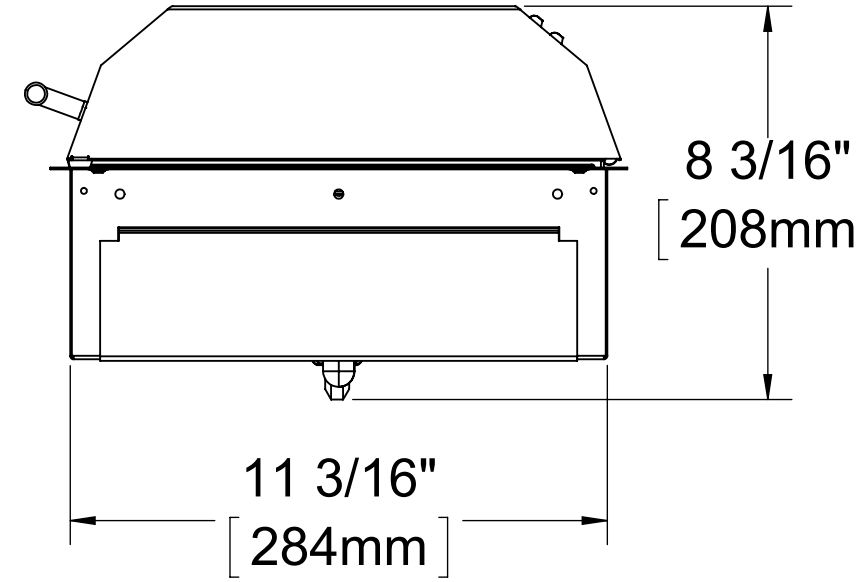
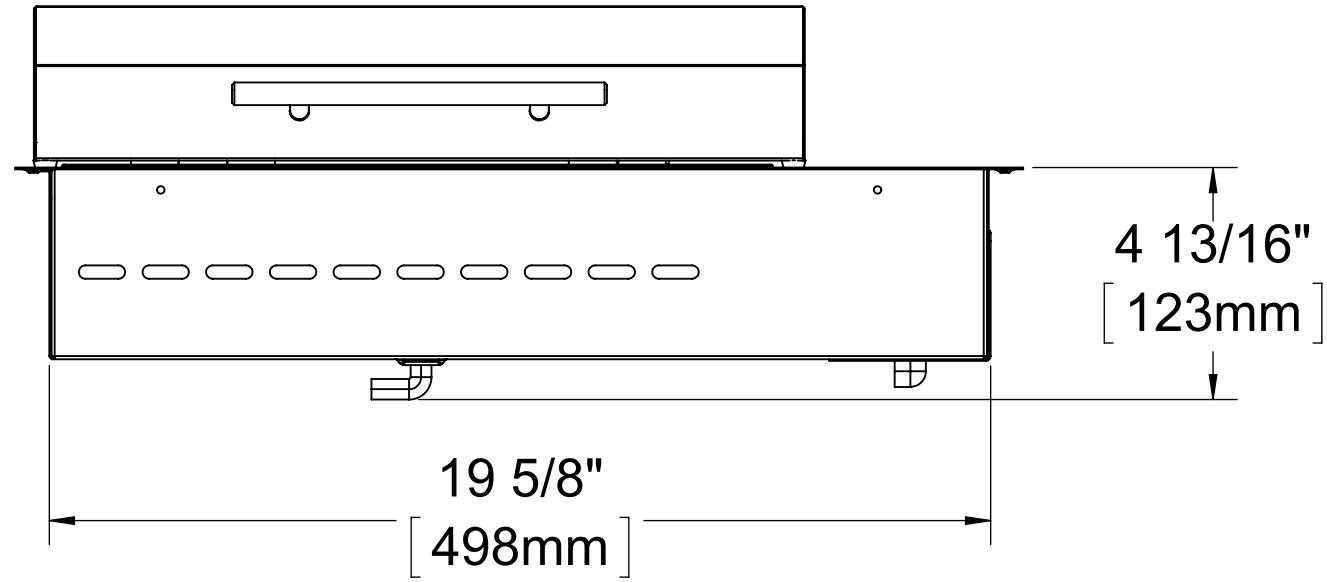
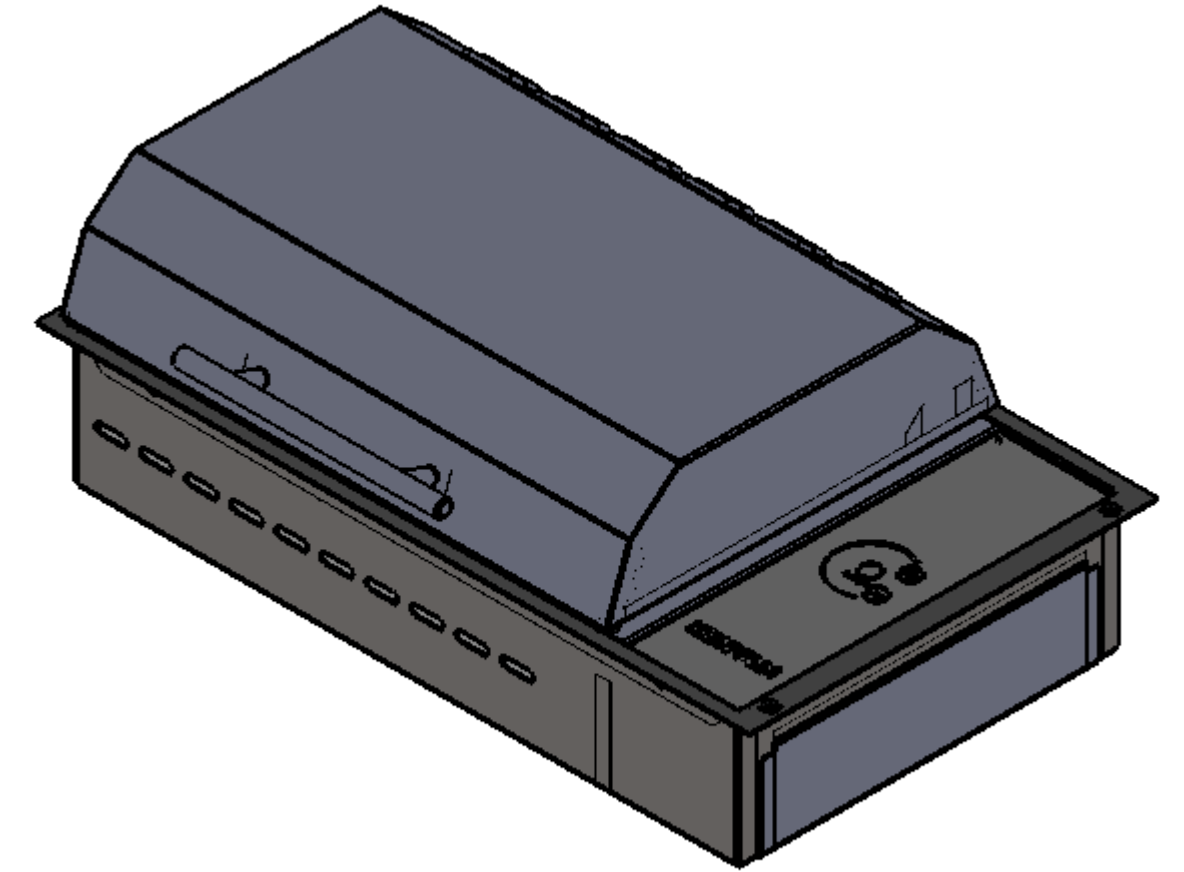
E

D

C

B

A



**PROPRIETARY AND CONFIDENTIAL**  
 THE INFORMATION CONTAINED IN THIS DRAWING IS THE SOLE PROPERTY OF KENYON INTERNATIONAL. ANY REPRODUCTION IN PART OR AS A WHOLE WITHOUT THE WRITTEN PERMISSION OF KENYON INTERNATIONAL IS PROHIBITED.

		UNLESS OTHERWISE SPECIFIED:		NAME	DATE	KENYON INTERNATIONAL 8 HERITAGE PARK - PO BOX 925 CLINTON, CT 06413	
		DIMENSIONS ARE IN INCHES		DRAWN	GSP	4/26/18	TITLE:
		TOLERANCES:		CHECKED			120V ELECTRIC GRILL FRONTIER LID, GFCI
		ANGULAR: MACH ± 0.50°		ENG APPR.			
		BEND ± 1.00°		MFG APPR.			
		TWO PLACE DECIMAL ± .010"		Q.A.			SIZE DWG. NO.
		THREE PLACE DECIMAL ± .005"		COMMENTS:			<b>C</b> B70050
		INTERPRET GEOMETRIC TOLERANCING PER ANS/ASME Y14.5M-2009					REV
		MATERIAL					SCALE: 1:8 WEIGHT:
		FINISH					SHEET 1 OF 2
NEXT ASSY	USED ON	APPLICATION					
		DO NOT SCALE DRAWING					

8

7

6

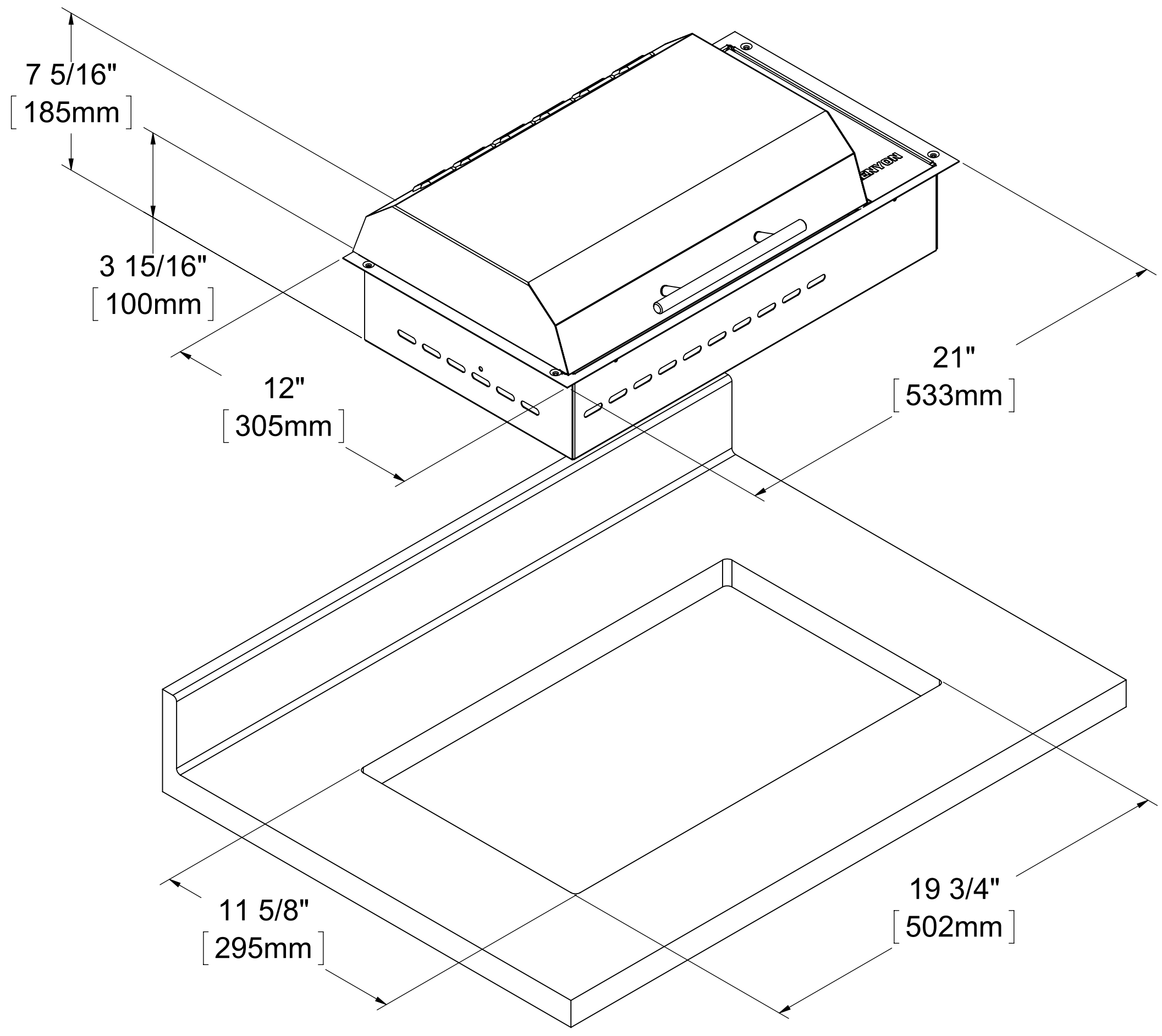
5

4

3

2

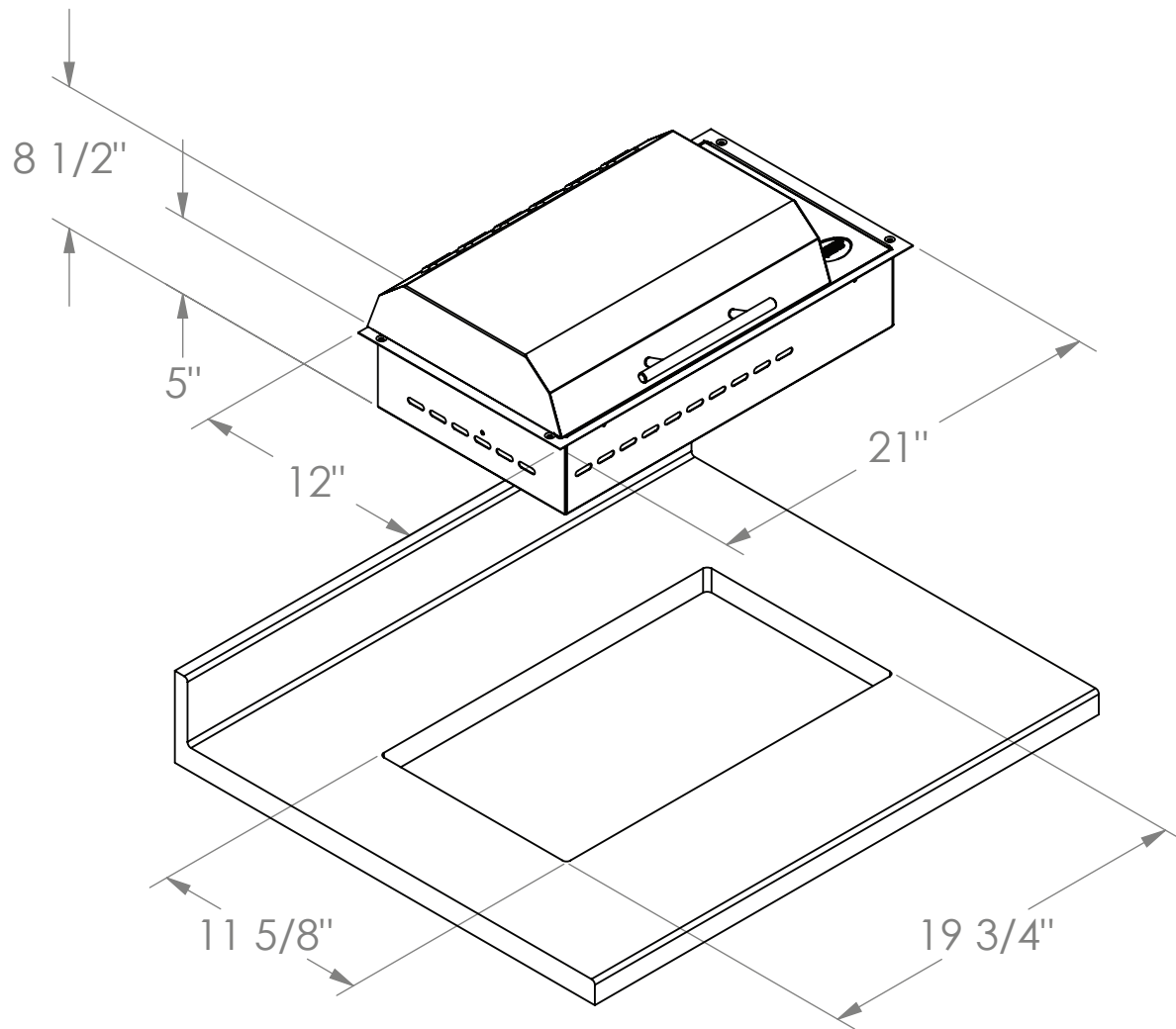
1

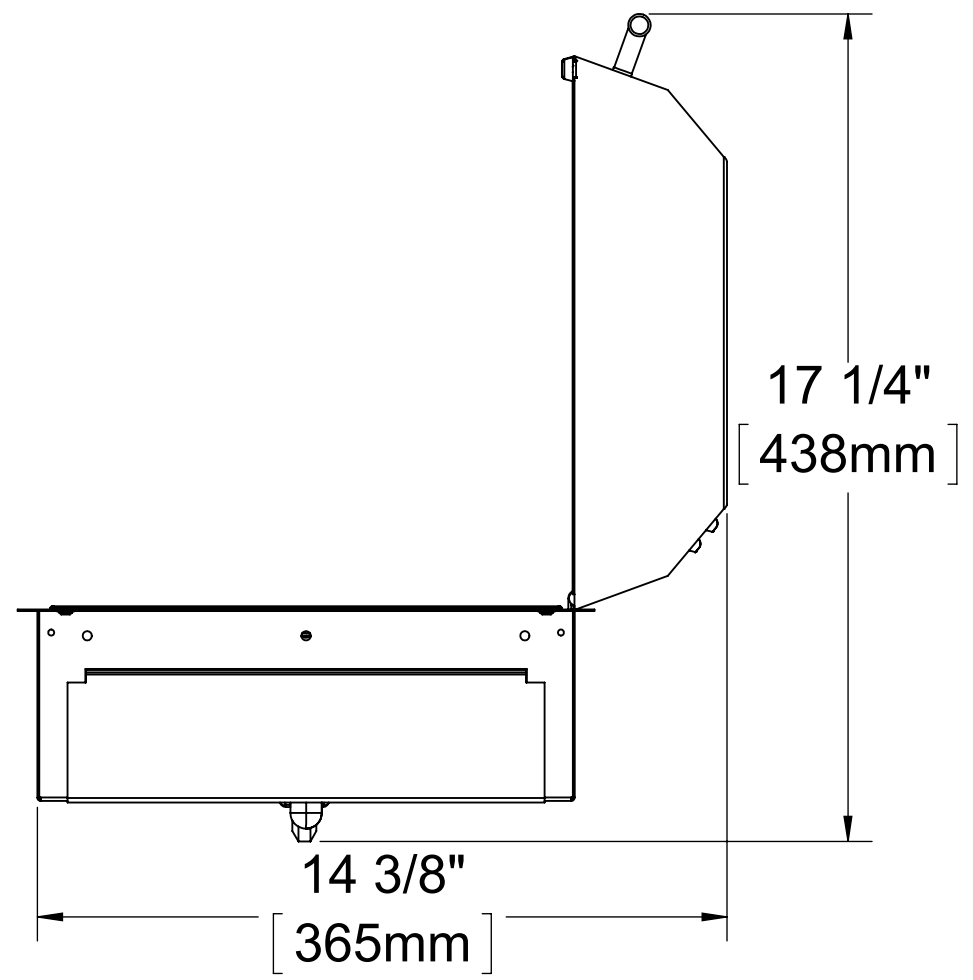
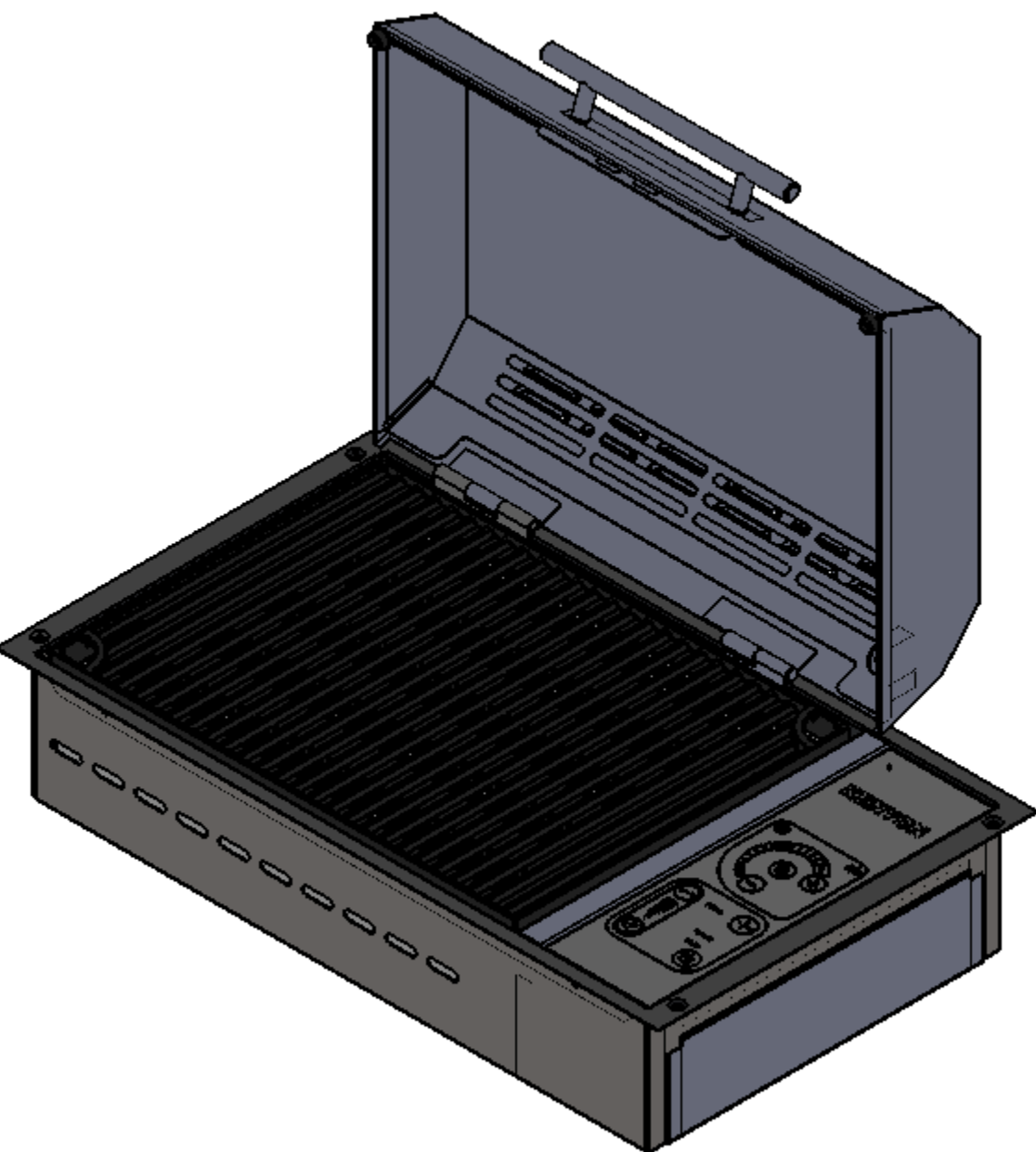
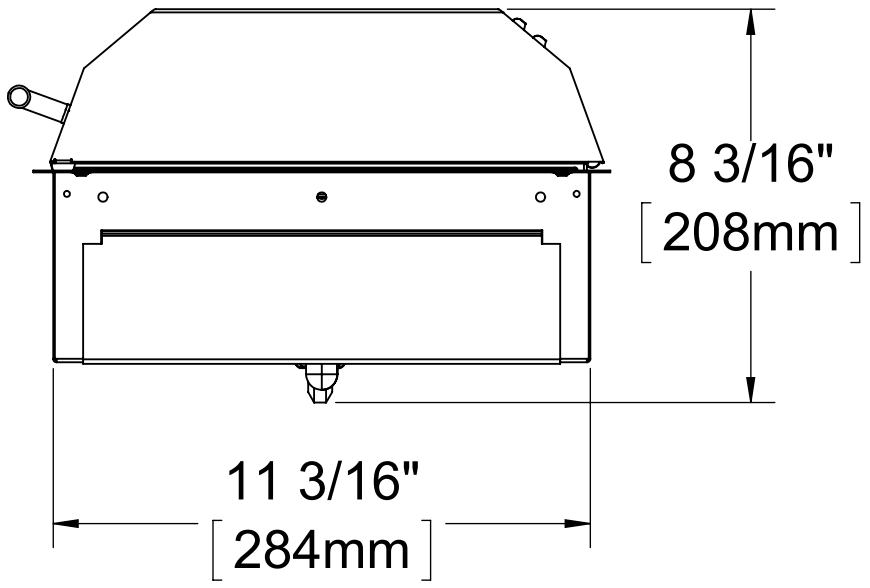
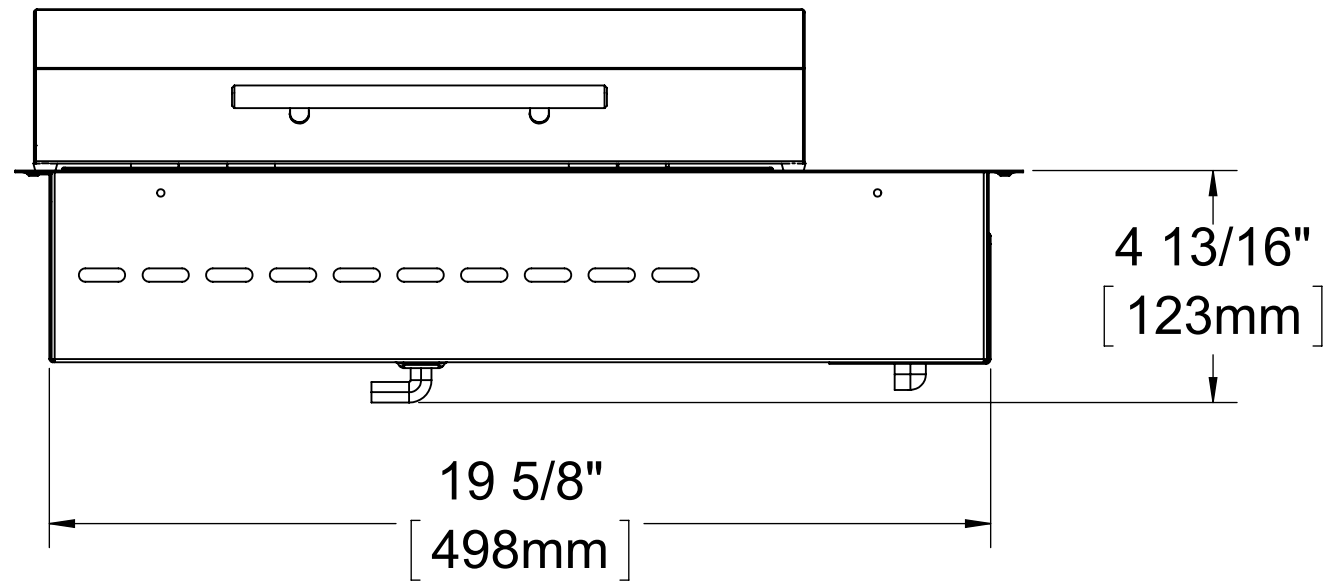
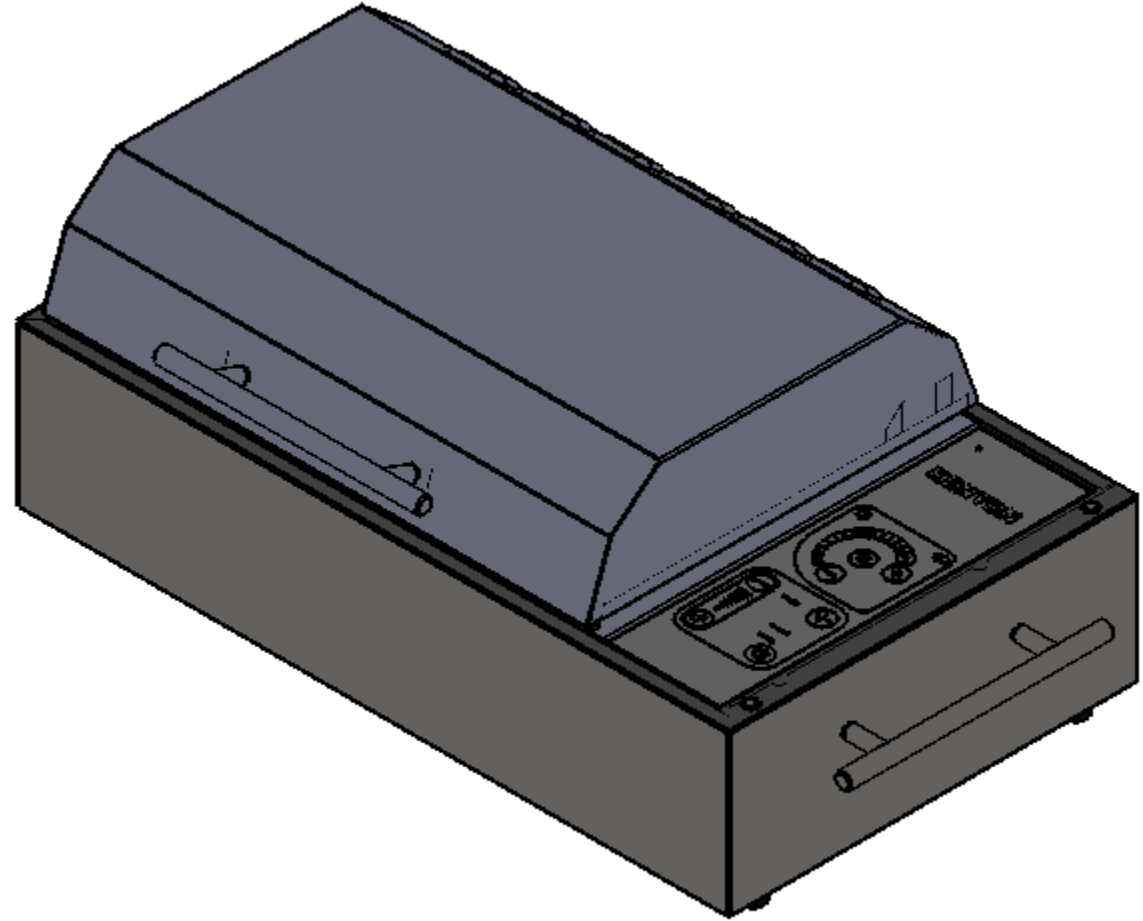


**PROPRIETARY AND CONFIDENTIAL**  
 THE INFORMATION CONTAINED IN THIS DRAWING IS THE SOLE PROPERTY OF KENYON INTERNATIONAL. ANY REPRODUCTION IN PART OR AS A WHOLE WITHOUT THE WRITTEN PERMISSION OF KENYON INTERNATIONAL IS PROHIBITED.

UNLESS OTHERWISE SPECIFIED:		NAME	DATE
DIMENSIONS ARE IN INCHES		DRAWN	
TOLERANCES:		CHECKED	
ANGULAR: MACH ± 0.50°		ENG APPR.	
BEND ± 1.00°		MFG APPR.	
TWO PLACE DECIMAL ± .010"		Q.A.	
THREE PLACE DECIMAL ± .005"		COMMENTS:	
INTERPRET GEOMETRIC TOLERANCING PER ANSI/ASME Y14.5M-2009			
MATERIAL	FINISH		
NEXT ASSY	USED ON		
APPLICATION	DO NOT SCALE DRAWING		

KENYON INTERNATIONAL 8 HERITAGE PARK - PO BOX 925 CLINTON, CT 06413		
TITLE: <b>120V ELECTRIC GRILL FRONTIER LID, GFCI</b>		
SIZE	DWG. NO.	REV
<b>C</b>	<b>B70050</b>	
SCALE: 1:8	WEIGHT:	SHEET 2 OF 2

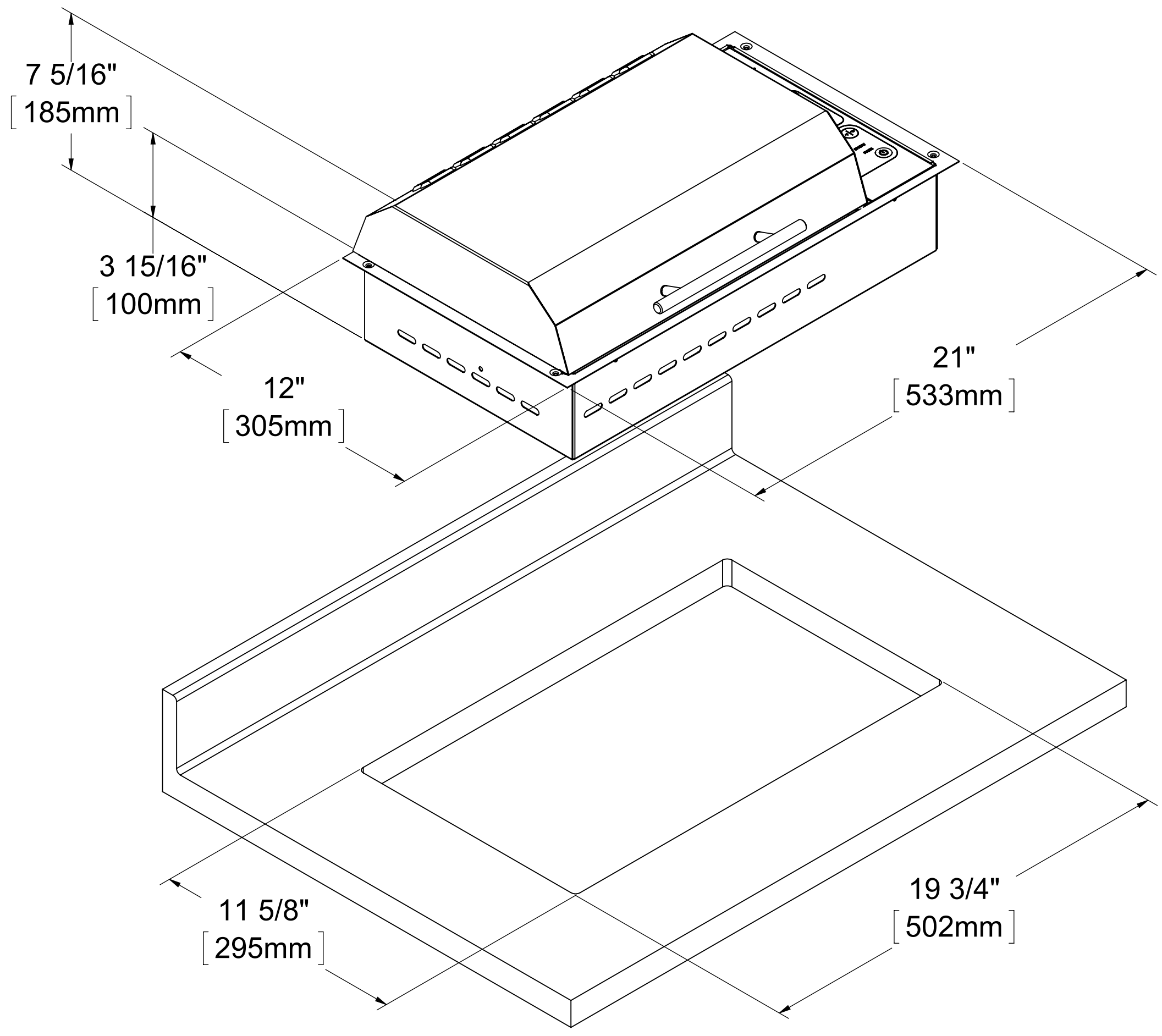




**PROPRIETARY AND CONFIDENTIAL**  
THE INFORMATION CONTAINED IN THIS DRAWING IS THE SOLE PROPERTY OF KENYON INTERNATIONAL. ANY REPRODUCTION IN PART OR AS A WHOLE WITHOUT THE WRITTEN PERMISSION OF KENYON INTERNATIONAL IS PROHIBITED.

UNLESS OTHERWISE SPECIFIED:		NAME	DATE
DIMENSIONS ARE IN INCHES		GSP	10/26/17
TOLERANCES:			
ANGULAR: MACH ± 0.50°			
BEND ± 1.00°			
TWO PLACE DECIMAL ± .010"			
THREE PLACE DECIMAL ± .005"			
INTERPRET GEOMETRIC TOLERANCING PER ANSI/ASME Y14.5M-2009			
MATERIAL		Q.A.	
FINISH		COMMENTS:	
NEXT ASSY	USED ON		
APPLICATION	DO NOT SCALE DRAWING		

KENYON INTERNATIONAL 8 HERITAGE PARK - PO BOX 925 CLINTON, CT 06413		
TITLE: <b>SINGLE ZONE INTELLIKEN FRONTIER LID</b>		
SIZE	DWG. NO.	REV
<b>C</b>	<b>B70550 &amp; B70551</b>	
SCALE: 1:8	WEIGHT:	SHEET 1 OF 2



**PROPRIETARY AND CONFIDENTIAL**  
 THE INFORMATION CONTAINED IN THIS DRAWING IS THE SOLE PROPERTY OF KENYON INTERNATIONAL. ANY REPRODUCTION IN PART OR AS A WHOLE WITHOUT THE WRITTEN PERMISSION OF KENYON INTERNATIONAL IS PROHIBITED.

UNLESS OTHERWISE SPECIFIED:		NAME	DATE
DIMENSIONS ARE IN INCHES		DRAWN	
TOLERANCES:		CHECKED	
ANGULAR: MACH ± 0.50°		ENG APPR.	
BEND ± 1.00°		MFG APPR.	
TWO PLACE DECIMAL ± .010"		Q.A.	
THREE PLACE DECIMAL ± .005"		COMMENTS:	
INTERPRET GEOMETRIC TOLERANCING PER ANS/ASME Y14.5M-2009			
MATERIAL	FINISH		
NEXT ASSY	USED ON		
APPLICATION	DO NOT SCALE DRAWING		

KENYON INTERNATIONAL 8 HERITAGE PARK - PO BOX 925 CLINTON, CT 06413		
TITLE:		
SIZE	DWG. NO.	REV
<b>C</b>	<b>B70550 &amp; B70551</b>	
SCALE: 1:8	WEIGHT:	SHEET 2 OF 2