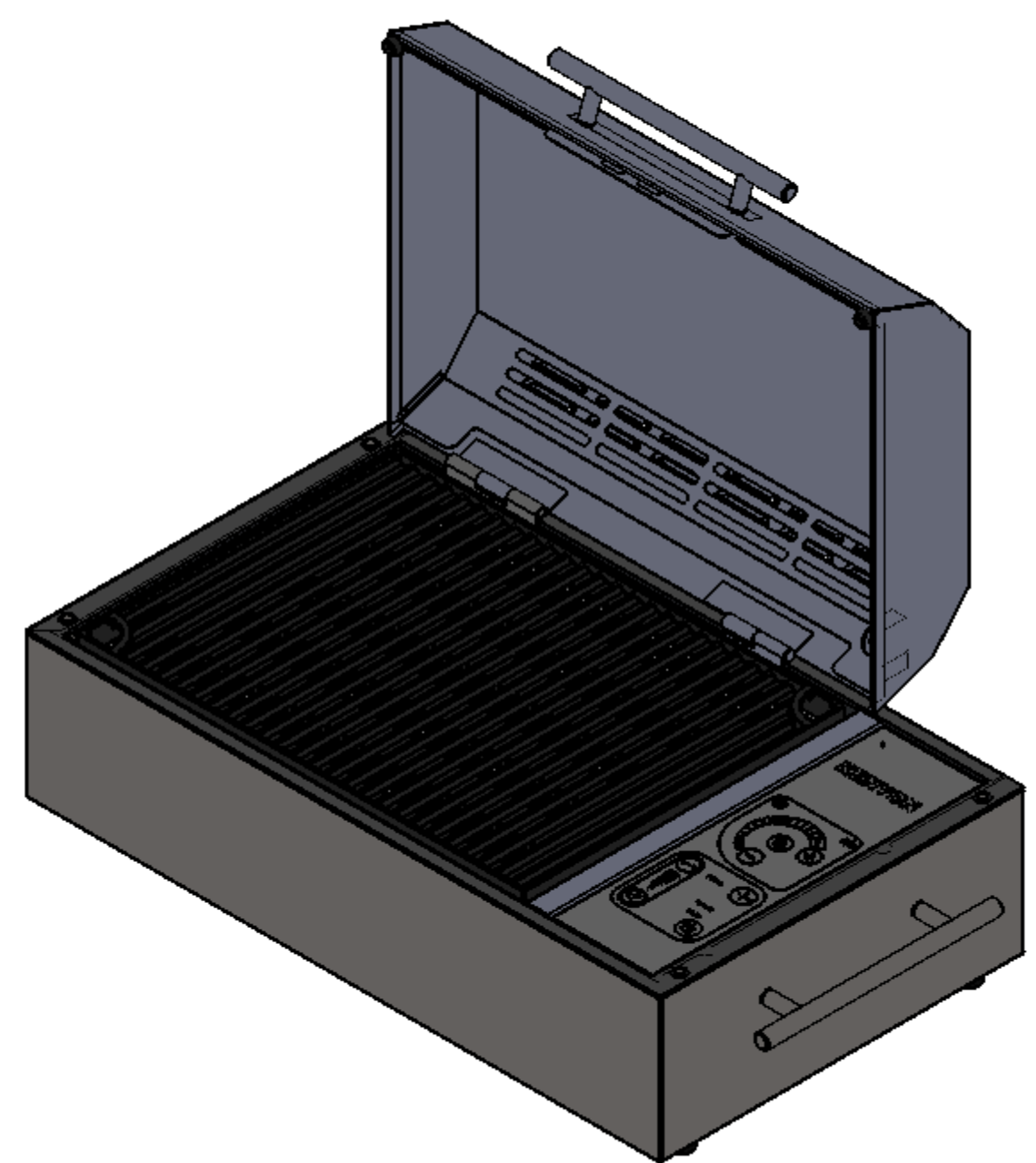
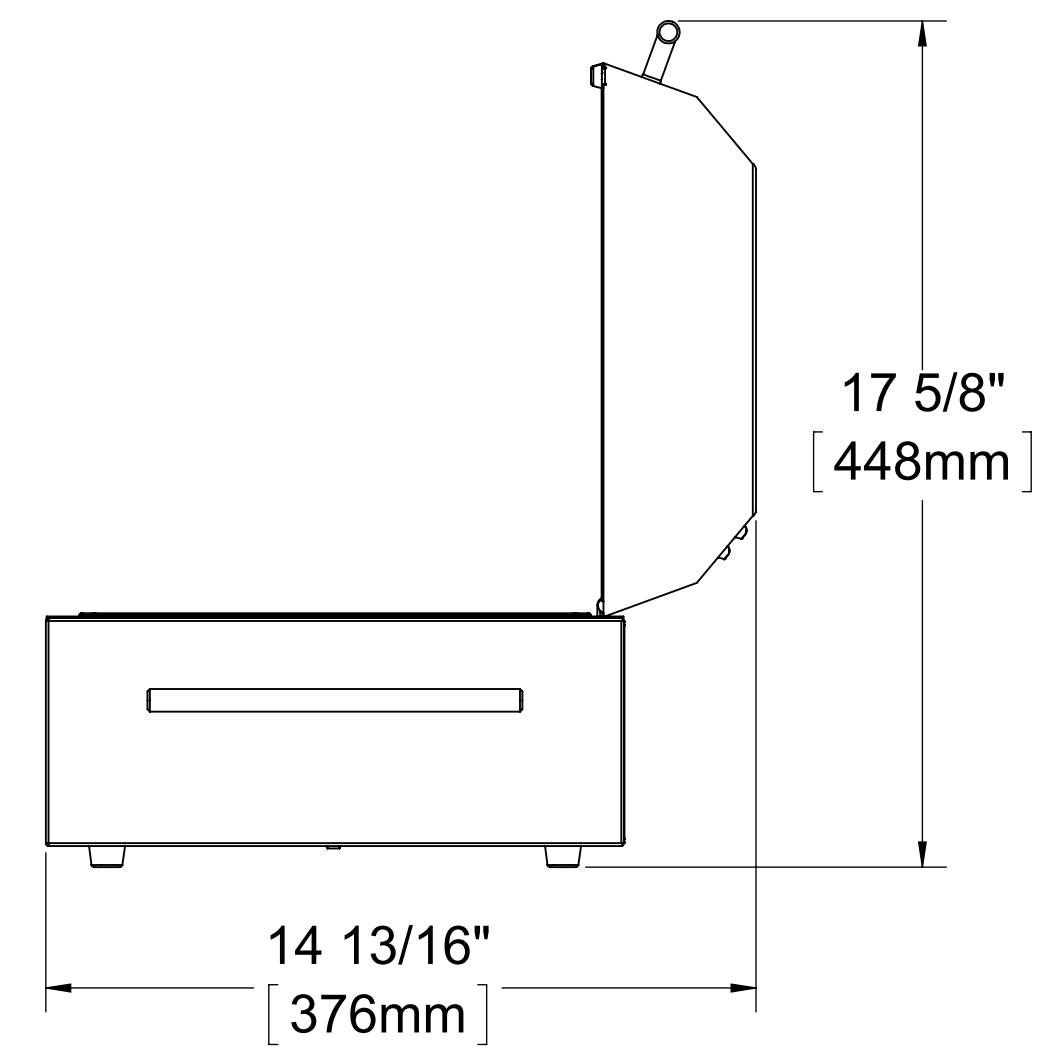
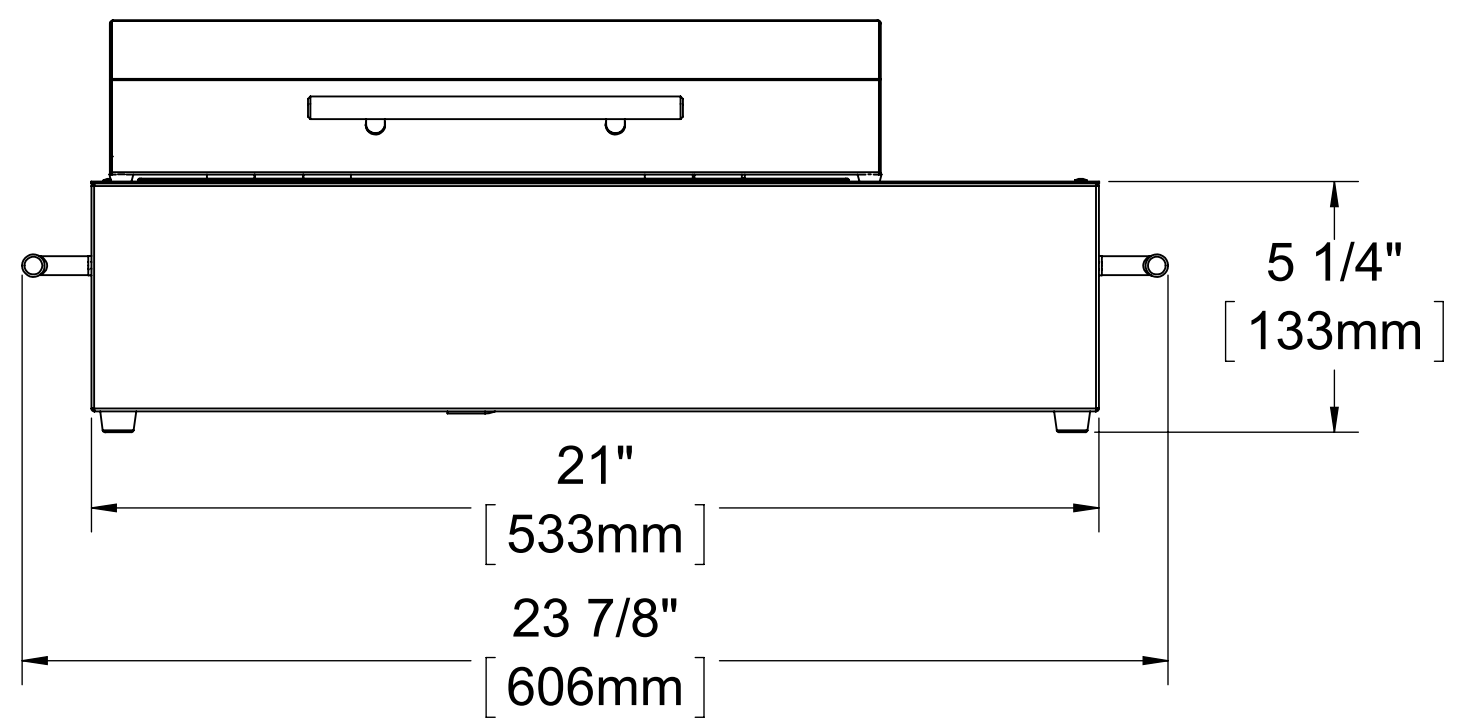
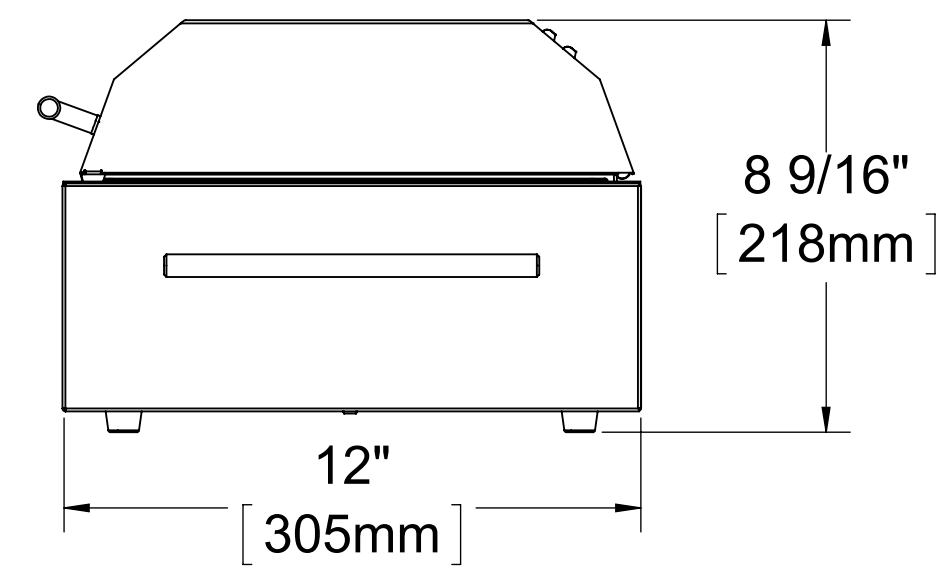
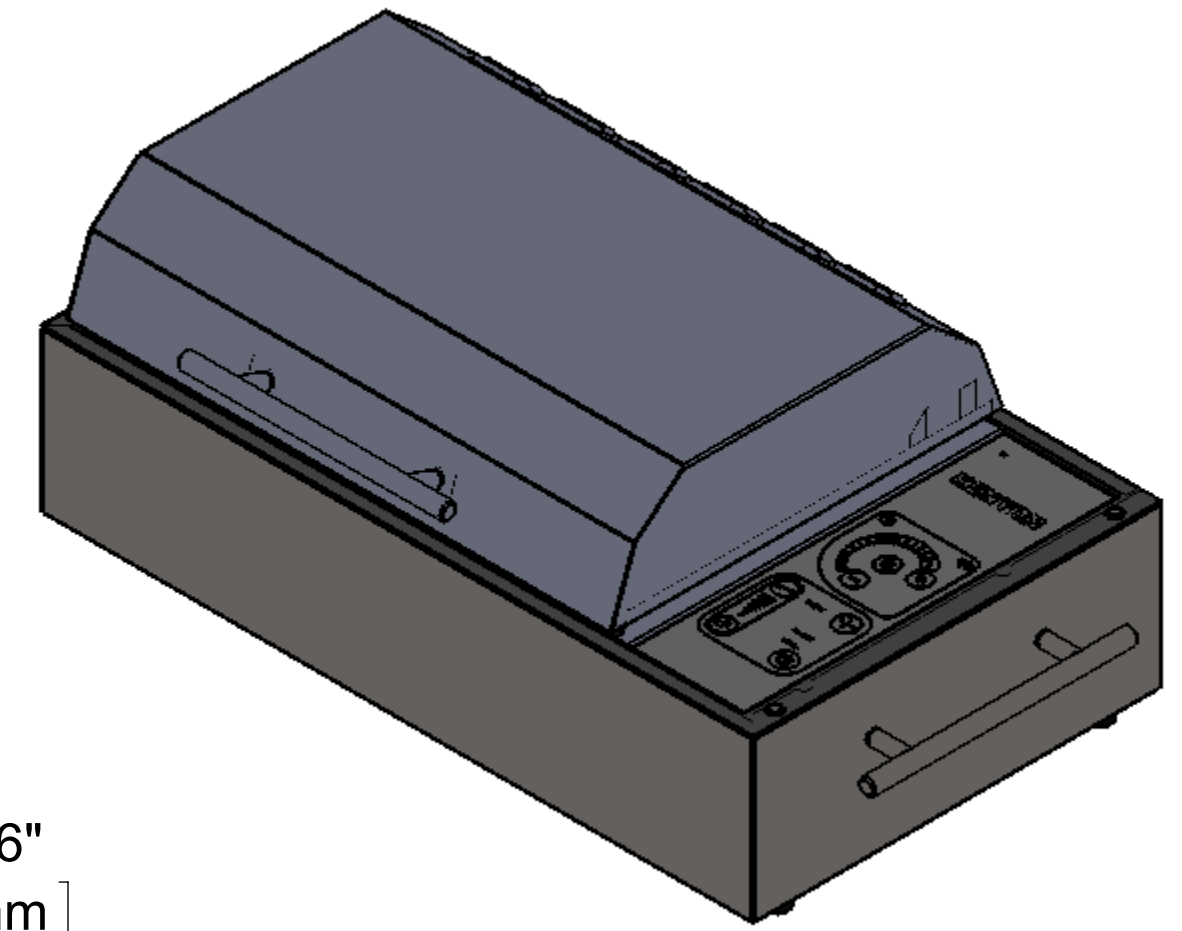


PROPRIETARY AND CONFIDENTIAL
 THE INFORMATION CONTAINED IN THIS
 DRAWING IS THE SOLE PROPERTY OF
 KENYON INTERNATIONAL. ANY
 REPRODUCTION IN PART OR AS A WHOLE
 WITHOUT THE WRITTEN PERMISSION OF
 KENYON INTERNATIONAL IS PROHIBITED.

UNLESS OTHERWISE SPECIFIED: DIMENSIONS ARE IN INCHES TOLERANCES: ANGULAR: MACH ± 0.50° BEND ± 1.00° TWO PLACE DECIMAL ± .010° THREE PLACE DECIMAL ± .005° INTERPRET GEOMETRIC TOLERANCING PER ANSI/ASME Y14.5M-2009		DRAWN GSP 4/26/18	NAME GSP	DATE 4/26/18	KENYON INTERNATIONAL 8 HERITAGE PARK - PO BOX 925 CLINTON, CT 06413
MATERIAL		CHECKED	ENG APPR.	MFG APPR.	
FINISH		Q.A. COMMENTS:			SIZE C
NEXT ASSY	USED ON	DO NOT SCALE DRAWING			DWG. NO. B70090
APPLICATION		SCALE: 1:8			WEIGHT:
					REV
					SHEET 1 OF 1



PROPRIETARY AND CONFIDENTIAL
THE INFORMATION CONTAINED IN THIS DRAWING IS THE SOLE PROPERTY OF KENYON INTERNATIONAL. ANY REPRODUCTION IN PART OR AS A WHOLE WITHOUT THE WRITTEN PERMISSION OF KENYON INTERNATIONAL IS PROHIBITED.

UNLESS OTHERWISE SPECIFIED: DIMENSIONS ARE IN INCHES TOLERANCES: ANGULAR: MACH ± 0.50° BEND ± 1.00° TWO PLACE DECIMAL ± .010° THREE PLACE DECIMAL ± .005° INTERPRET GEOMETRIC TOLERANCING PER ANSI/ASME Y14.5M-2009		NAME GSP	DATE 10/26/17	KENYON INTERNATIONAL 8 HERITAGE PARK - PO BOX 925 CLINTON, CT 06413
DRAWN	CHECKED	ENG APPR.	MFG APPR.	
MATERIAL		Q.A.		SIZE DWG. NO. REV
FINISH		COMMENTS:		C B70590
NEXT ASSY	USED ON	APPLICATION		SCALE: 1:8 WEIGHT: SHEET 1 OF 1
DO NOT SCALE DRAWING				