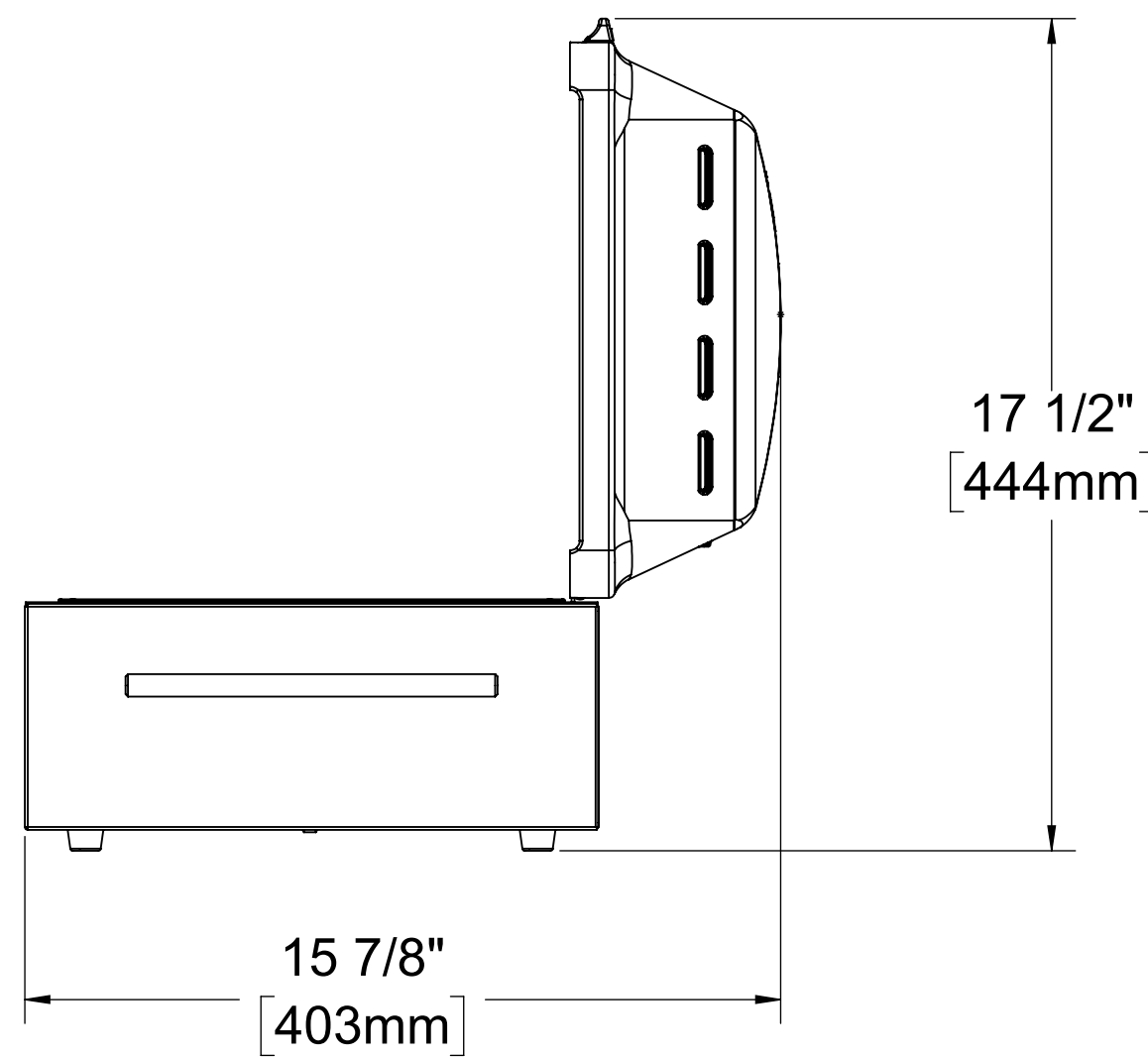
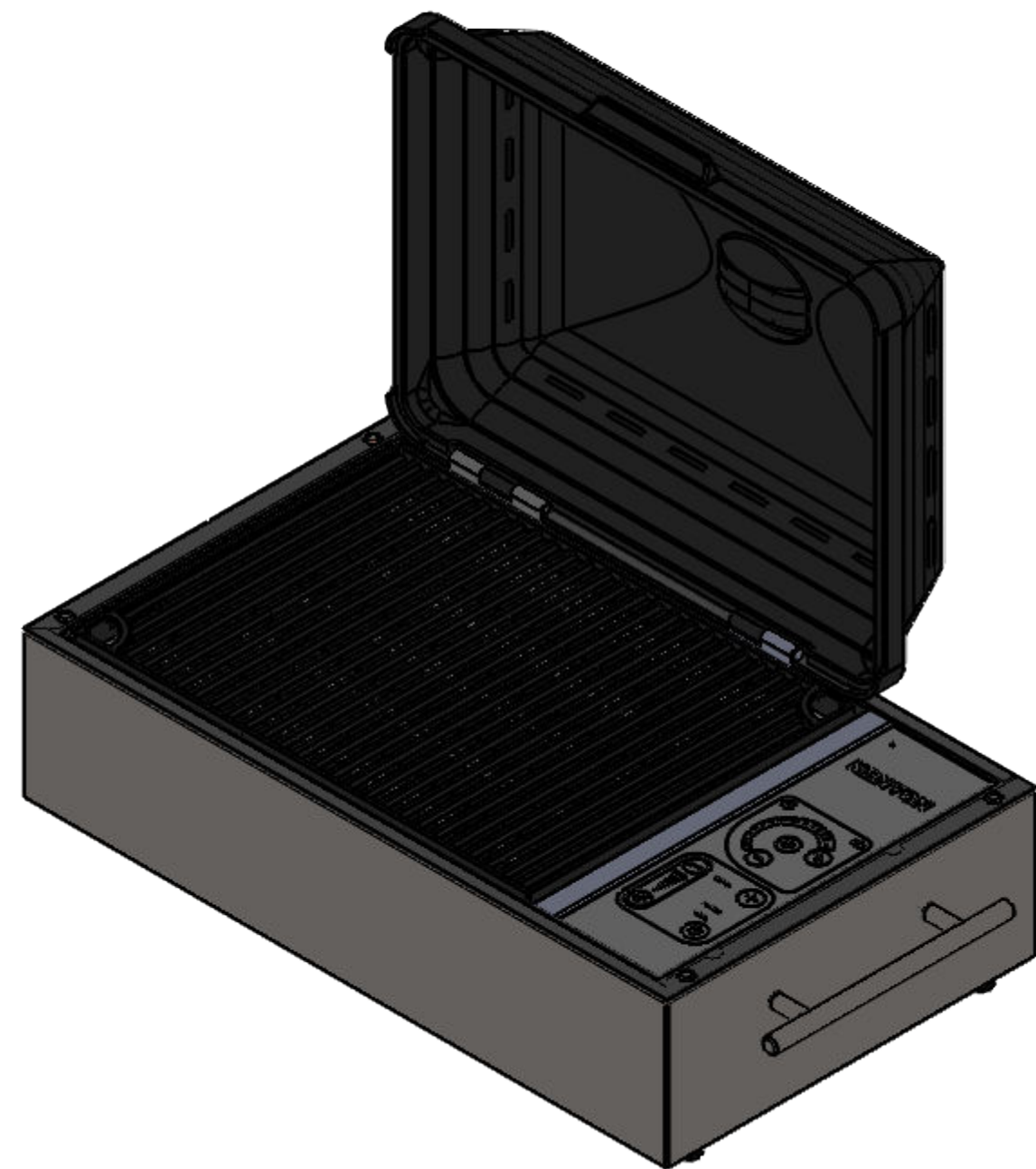
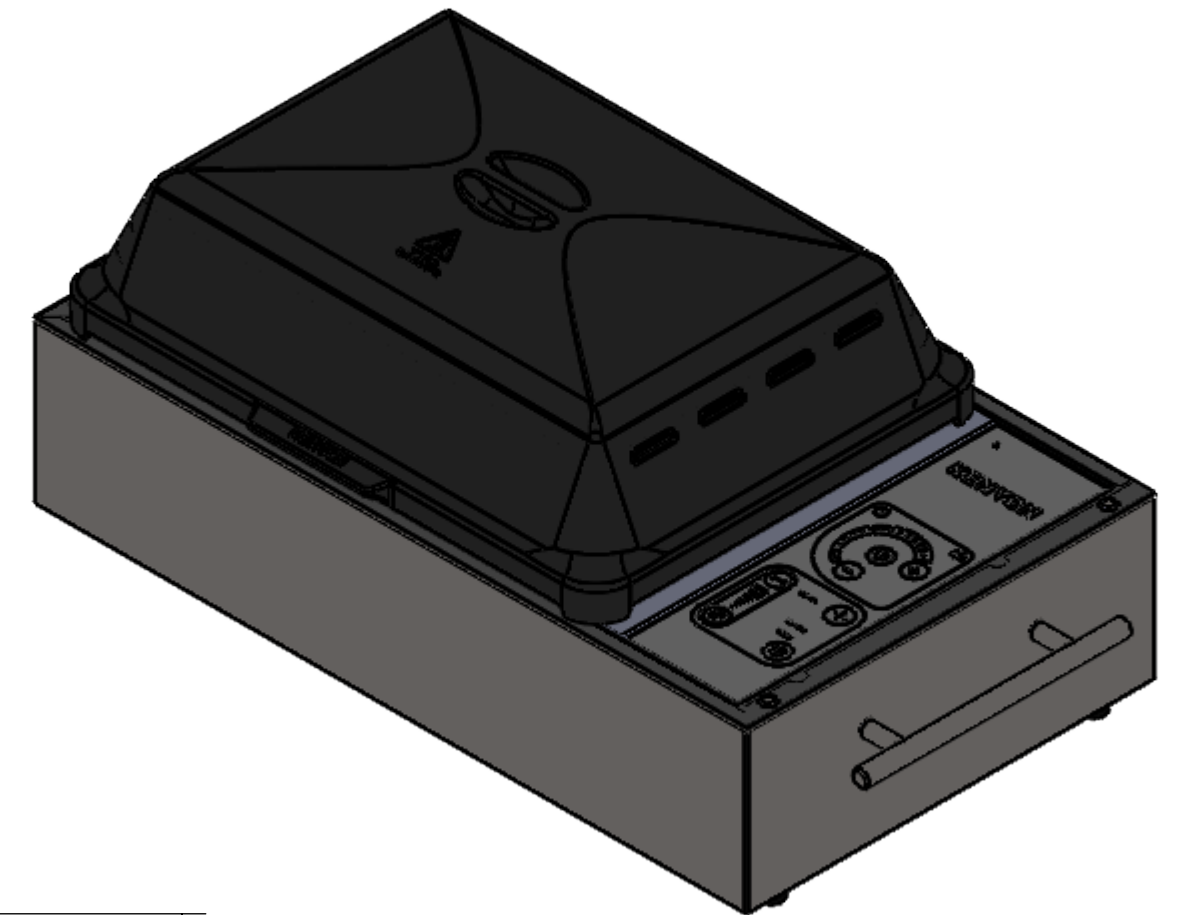
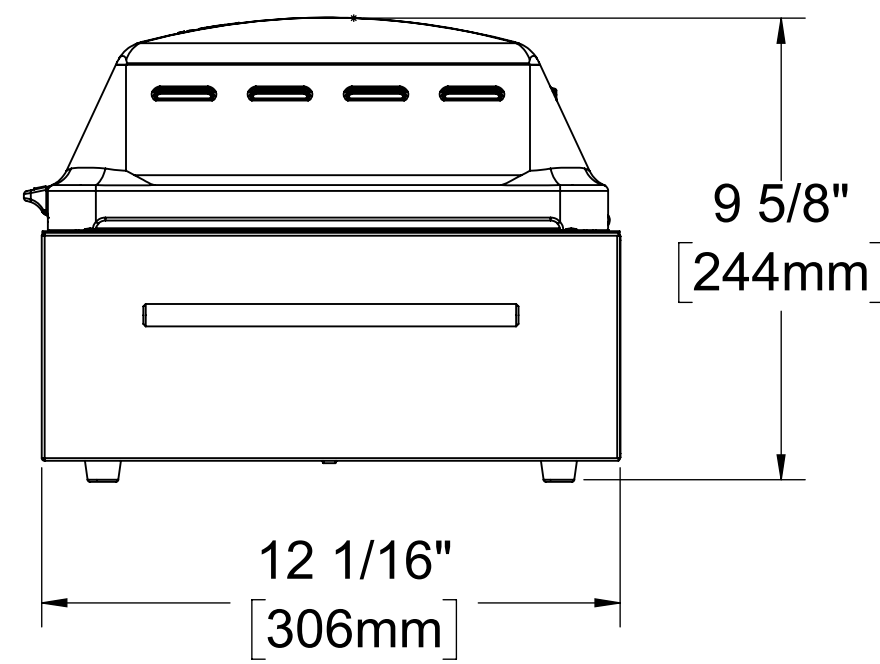
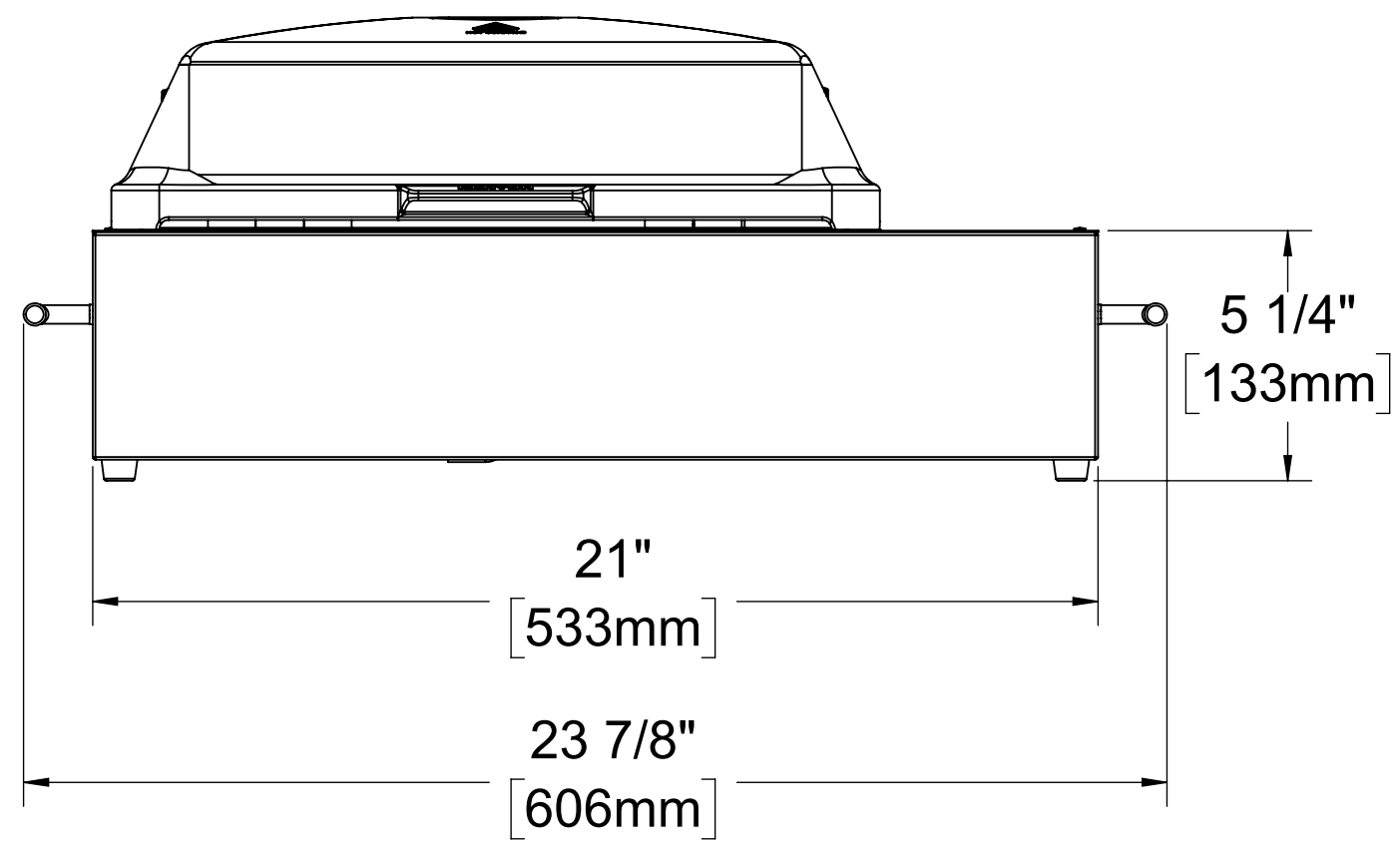


8 7 6 5 4 3 2 1

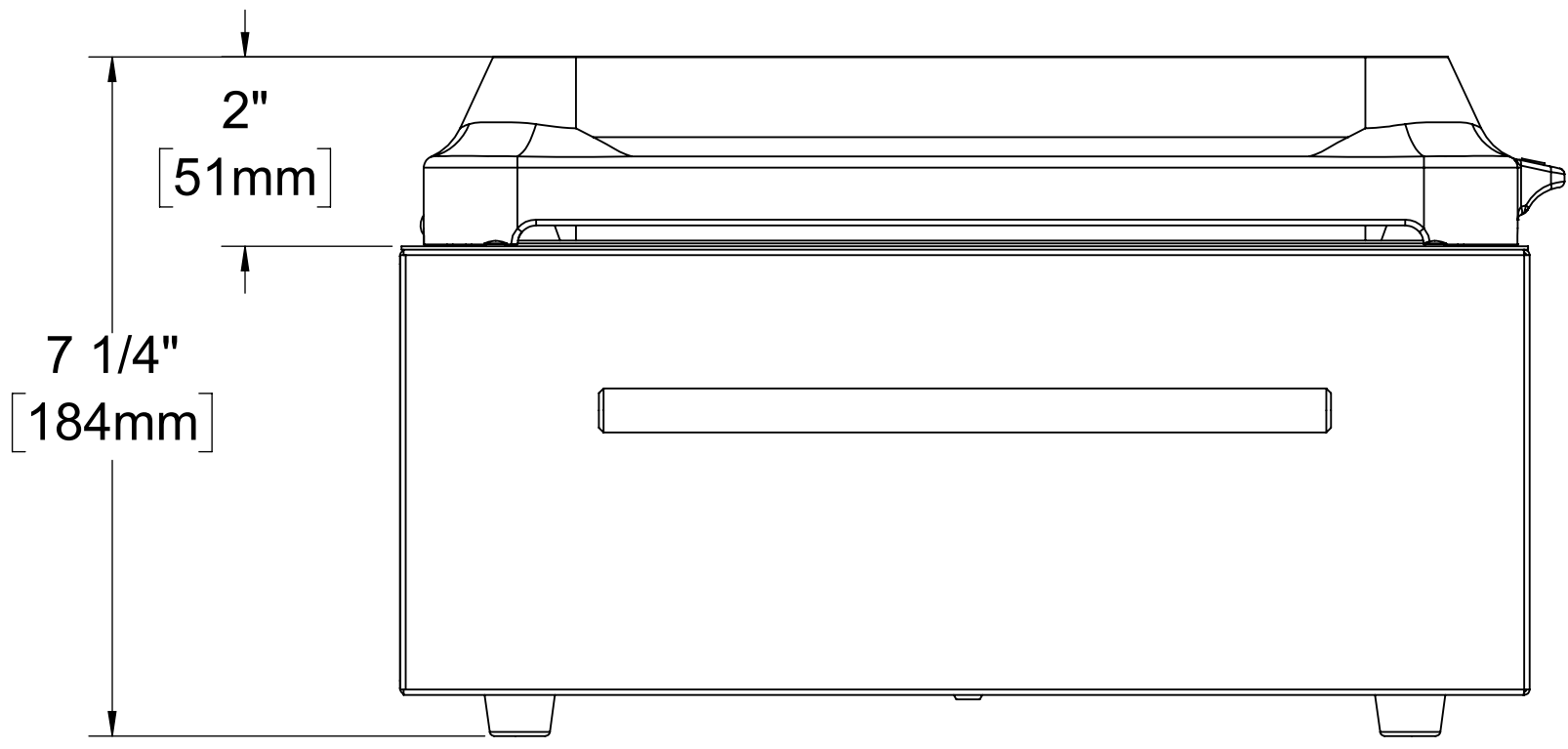
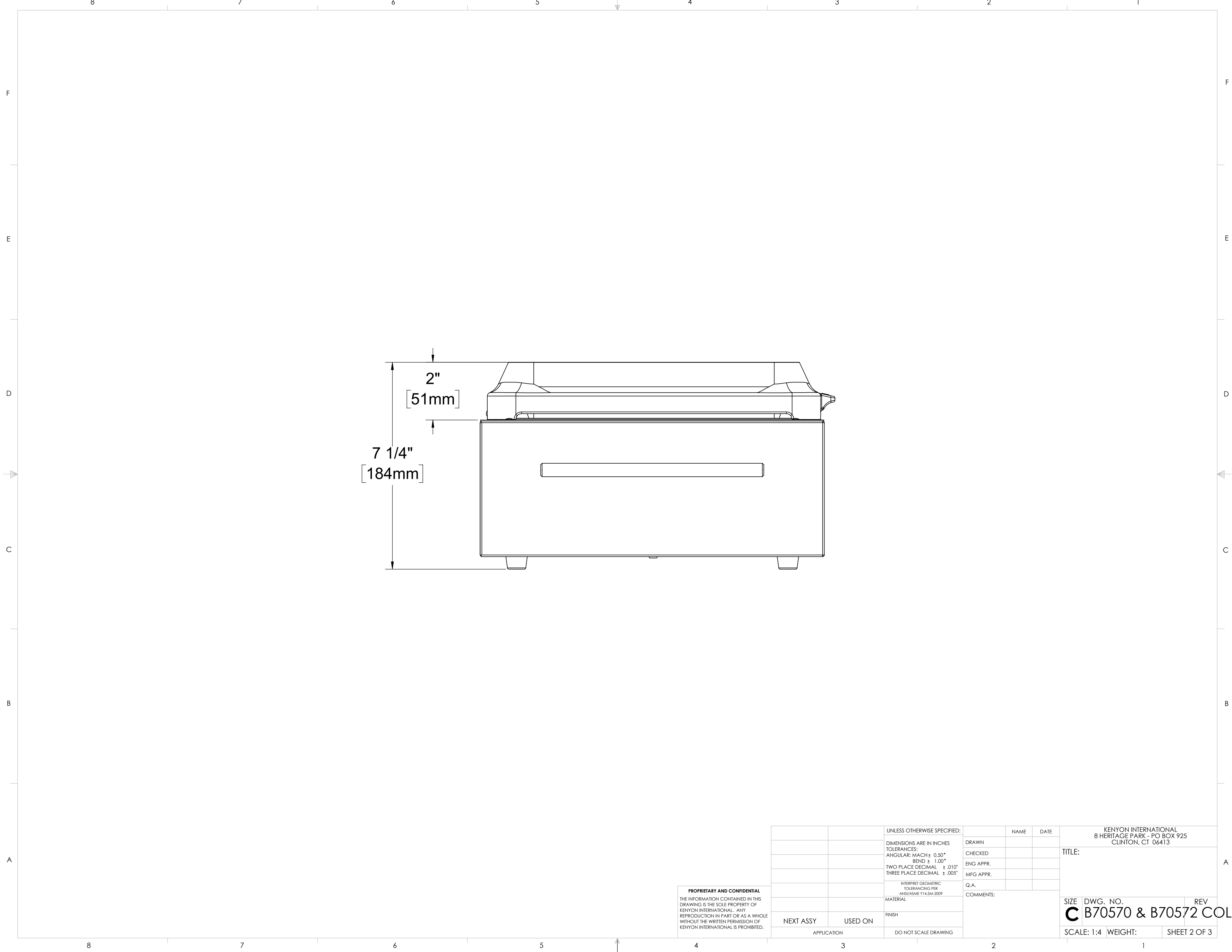
F  
E  
D  
C  
B  
A



**PROPRIETARY AND CONFIDENTIAL**  
THE INFORMATION CONTAINED IN THIS DRAWING IS THE SOLE PROPERTY OF KENYON INTERNATIONAL. ANY REPRODUCTION IN PART OR AS A WHOLE WITHOUT THE WRITTEN PERMISSION OF KENYON INTERNATIONAL IS PROHIBITED.

UNLESS OTHERWISE SPECIFIED:		NAME	DATE	KENYON INTERNATIONAL 8 HERITAGE PARK - PO BOX 925 CLINTON, CT 06413	
DIMENSIONS ARE IN INCHES		DRAWN	GSP	TITLE:	
TOLERANCES: MACH ± 0.50"		CHECKED		SINGLE ZONE INTELLIKEN SILKEN LID	
ANGULAR: MACH ± 1.00"		ENG APPR.		SIZE	DWG. NO.
BEND ± 1.00"		MFG APPR.		<b>C</b>	<b>B70572</b>
TWO PLACE DECIMAL ± .010"		Q.A.		SCALE: 1:1	WEIGHT:
THREE PLACE DECIMAL ± .005"		COMMENTS:			SHEET 1 OF 3
INTERPRET GEOMETRIC TOLERANCING PER ANS/ASME Y14.5M-2009					
MATERIAL					
NEXT ASSY	USED ON	FINISH			
APPLICATION		DO NOT SCALE DRAWING			

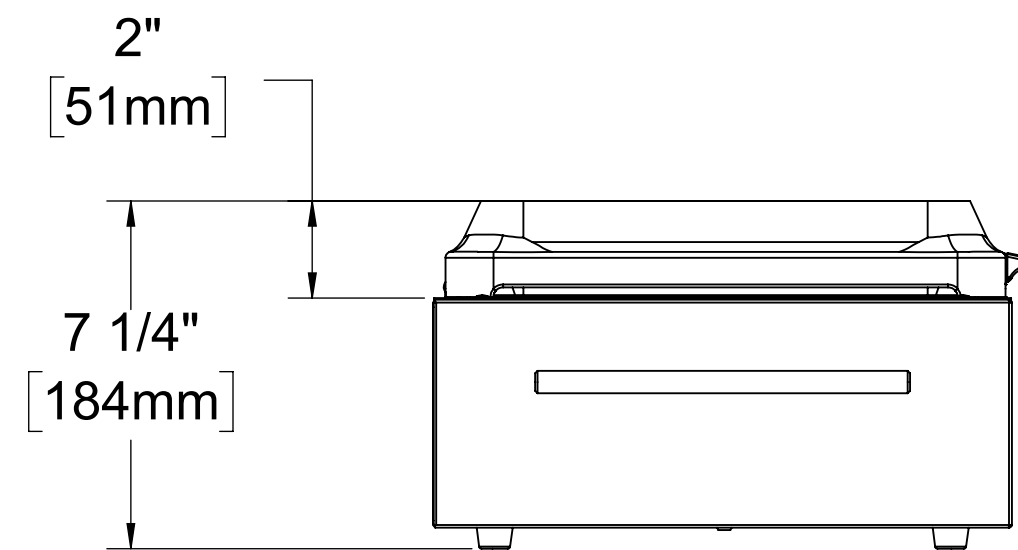
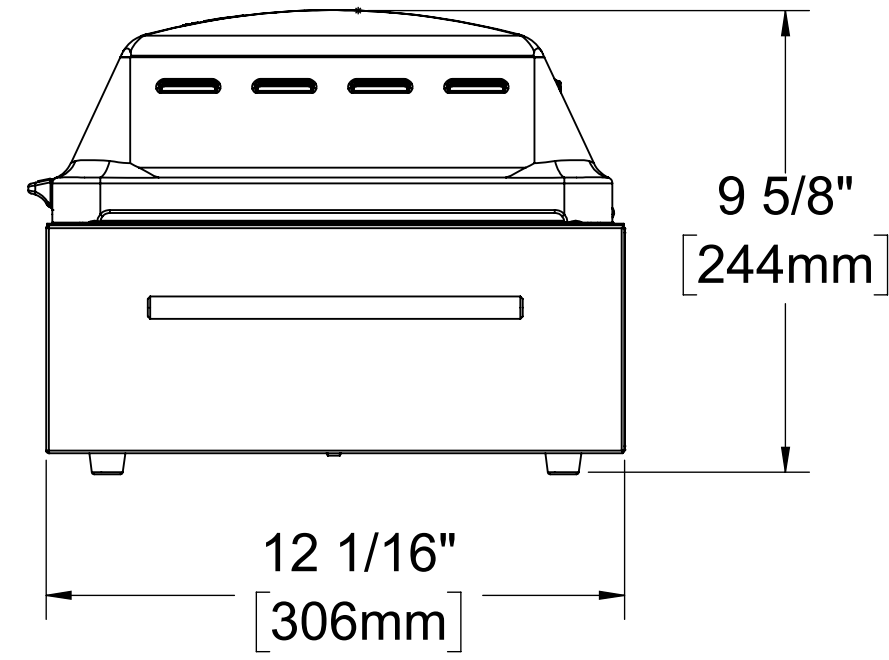
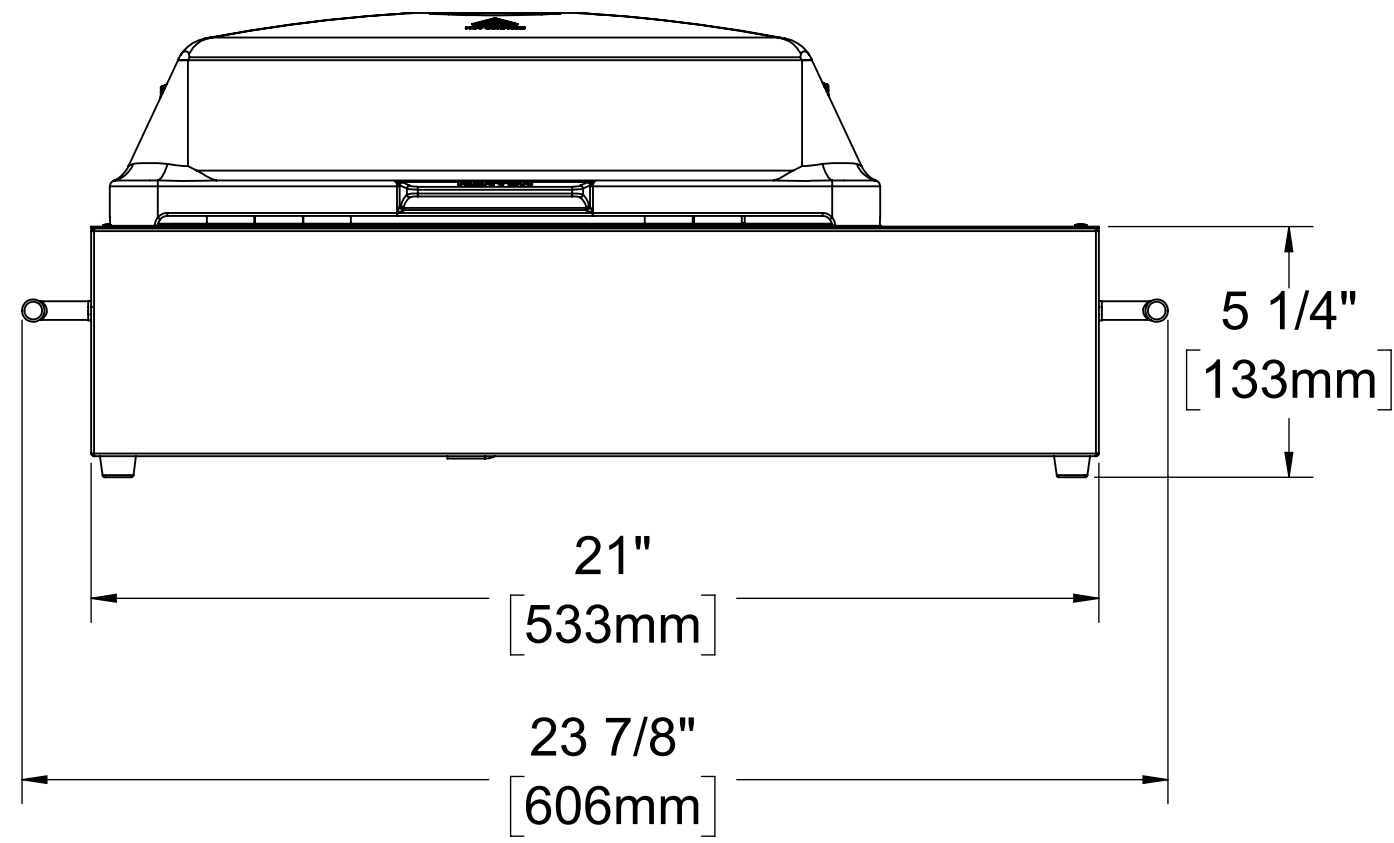
8 7 6 5 4 3 2 1



**PROPRIETARY AND CONFIDENTIAL**  
 THE INFORMATION CONTAINED IN THIS DRAWING IS THE SOLE PROPERTY OF KENYON INTERNATIONAL. ANY REPRODUCTION IN PART OR AS A WHOLE WITHOUT THE WRITTEN PERMISSION OF KENYON INTERNATIONAL IS PROHIBITED.

		UNLESS OTHERWISE SPECIFIED:	NAME	DATE
		DIMENSIONS ARE IN INCHES	DRAWN	
		TOLERANCES:	CHECKED	
		ANGULAR: MACH ± 0.50°	ENG APPR.	
		BEND ± 1.00°	MFG APPR.	
		TWO PLACE DECIMAL ± .010"	Q.A.	
		THREE PLACE DECIMAL ± .005"	COMMENTS:	
		INTERPRET GEOMETRIC TOLERANCING PER ANS/ASME Y14.5M-2009		
		MATERIAL		
NEXT ASSY	USED ON	FINISH		
APPLICATION		DO NOT SCALE DRAWING		

KENYON INTERNATIONAL 8 HERITAGE PARK - PO BOX 925 CLINTON, CT 06413		
TITLE:		
SIZE	DWG. NO.	REV
<b>C</b>	<b>B70570 &amp; B70572 COLLA</b>	
SCALE: 1:4	WEIGHT:	SHEET 2 OF 3



**PROPRIETARY AND CONFIDENTIAL**  
THE INFORMATION CONTAINED IN THIS DRAWING IS THE SOLE PROPERTY OF KENYON INTERNATIONAL. ANY REPRODUCTION IN PART OR AS A WHOLE WITHOUT THE WRITTEN PERMISSION OF KENYON INTERNATIONAL IS PROHIBITED.

		UNLESS OTHERWISE SPECIFIED:				KENYON INTERNATIONAL 8 HERITAGE PARK - PO BOX 925 CLINTON, CT 06413	
		DIMENSIONS ARE IN INCHES		DRAWN		TITLE:	
		TOLERANCES: MACH ± 0.50"		CHECKED		REV	
		ANGULAR: MACH ± 1.00°		ENG APPR.		SIZE DWG. NO.	
		BEND ± 1.00°		MFG APPR.		C B70570 & B70571	
		TWO PLACE DECIMAL ± .010"		Q.A.		SCALE: 1:1 WEIGHT:	
		THREE PLACE DECIMAL ± .005"		COMMENTS:		SHEET 3 OF 3	
		INTERPRET GEOMETRIC TOLERANCING PER ANS/ASME Y14.5M-2009					
		MATERIAL					
		FINISH					
NEXT ASSY		USED ON					
APPLICATION		DO NOT SCALE DRAWING					