

8

7

6

5

4

3

2

1

F

E

D

C

B

A

F

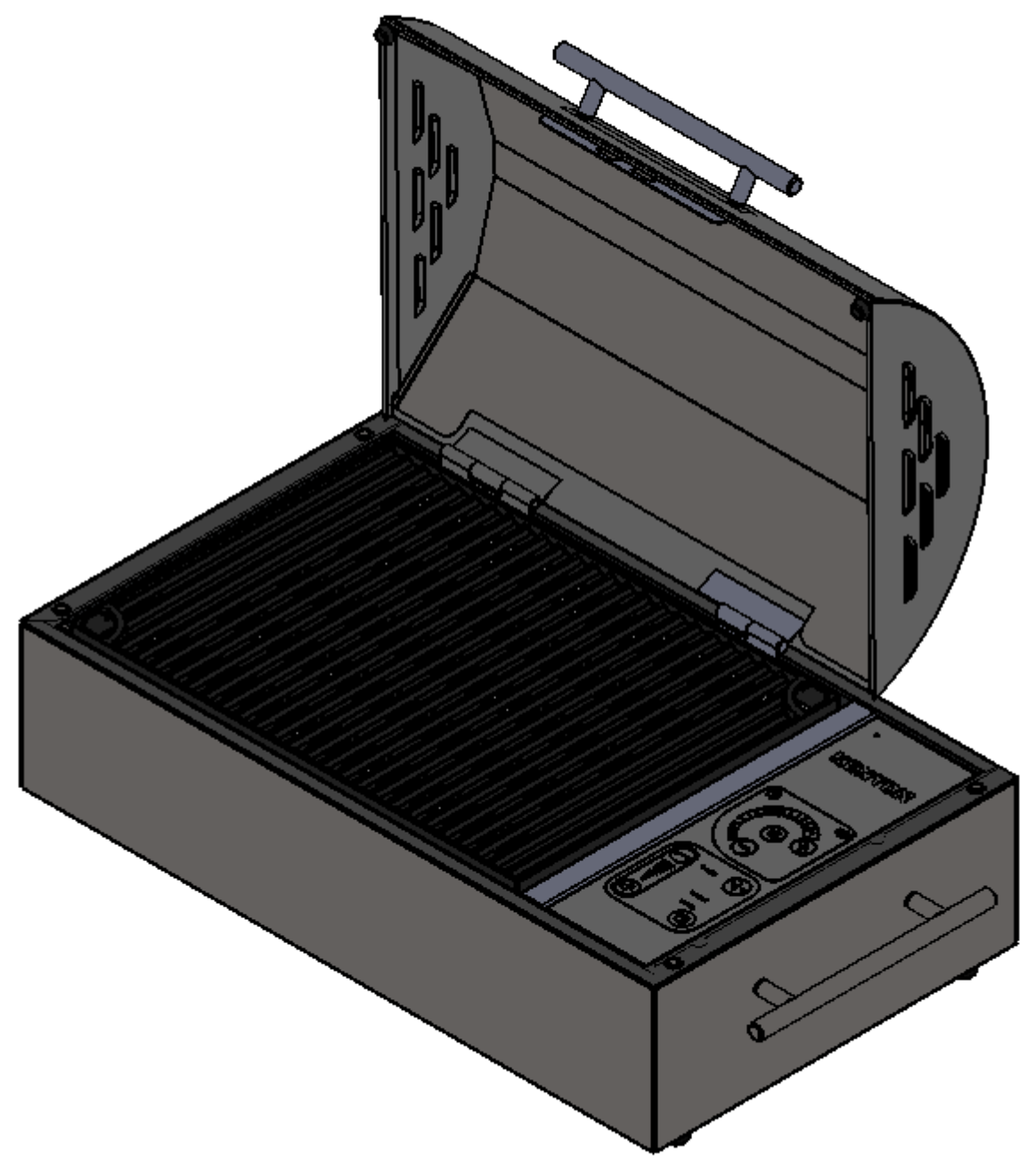
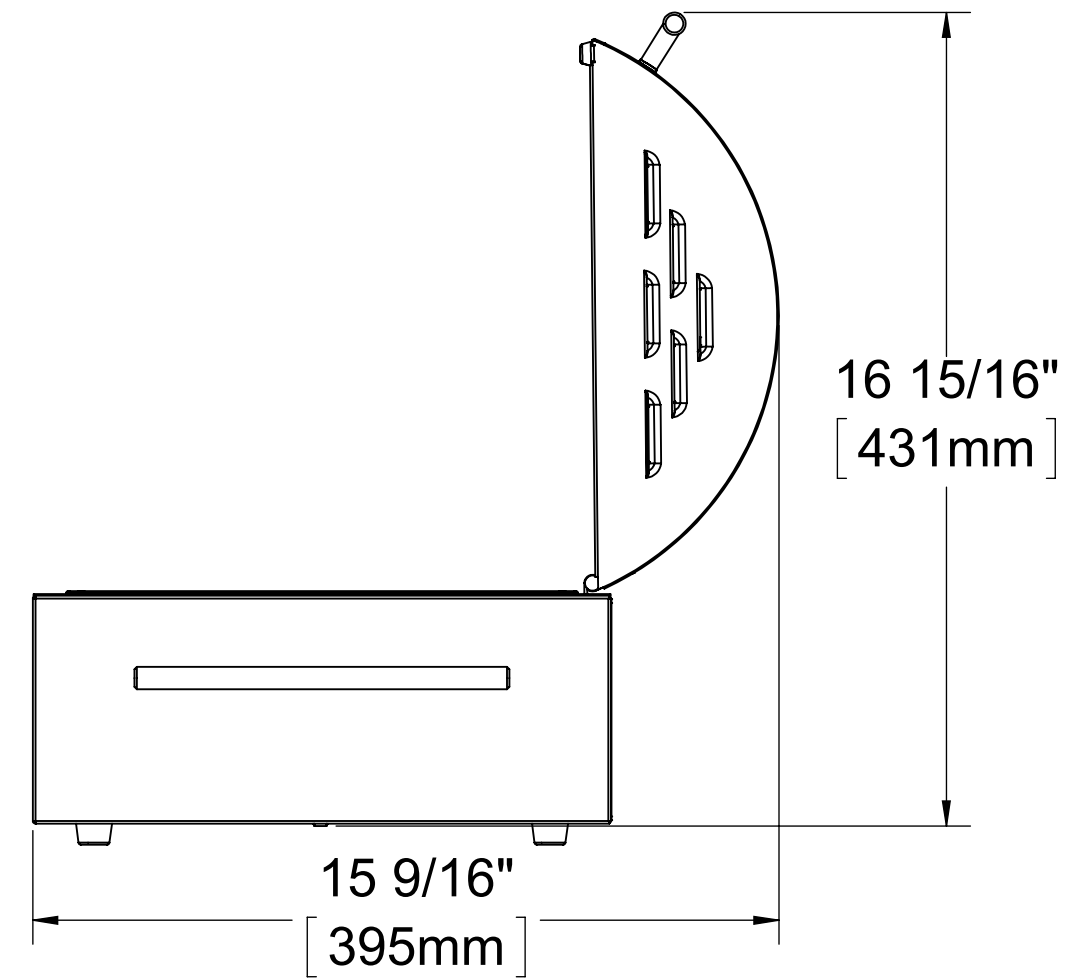
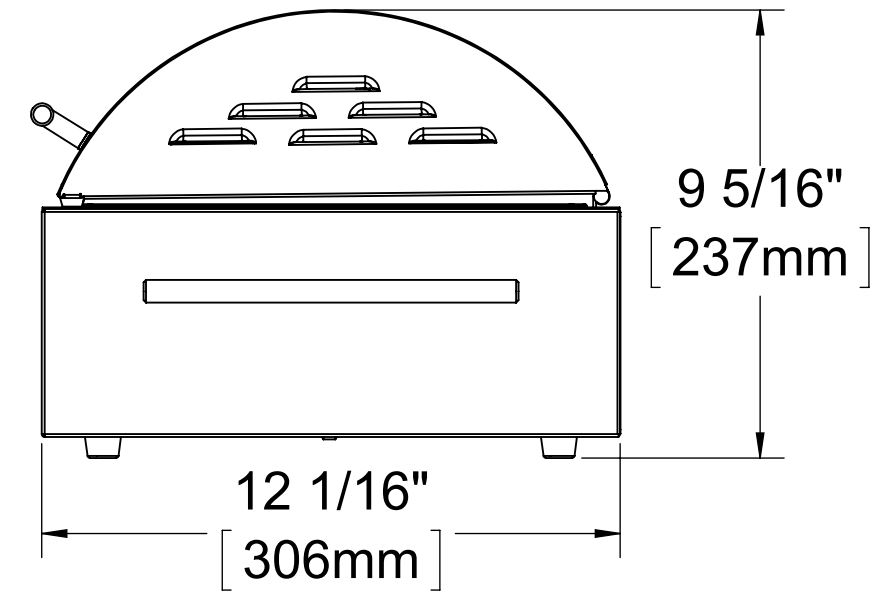
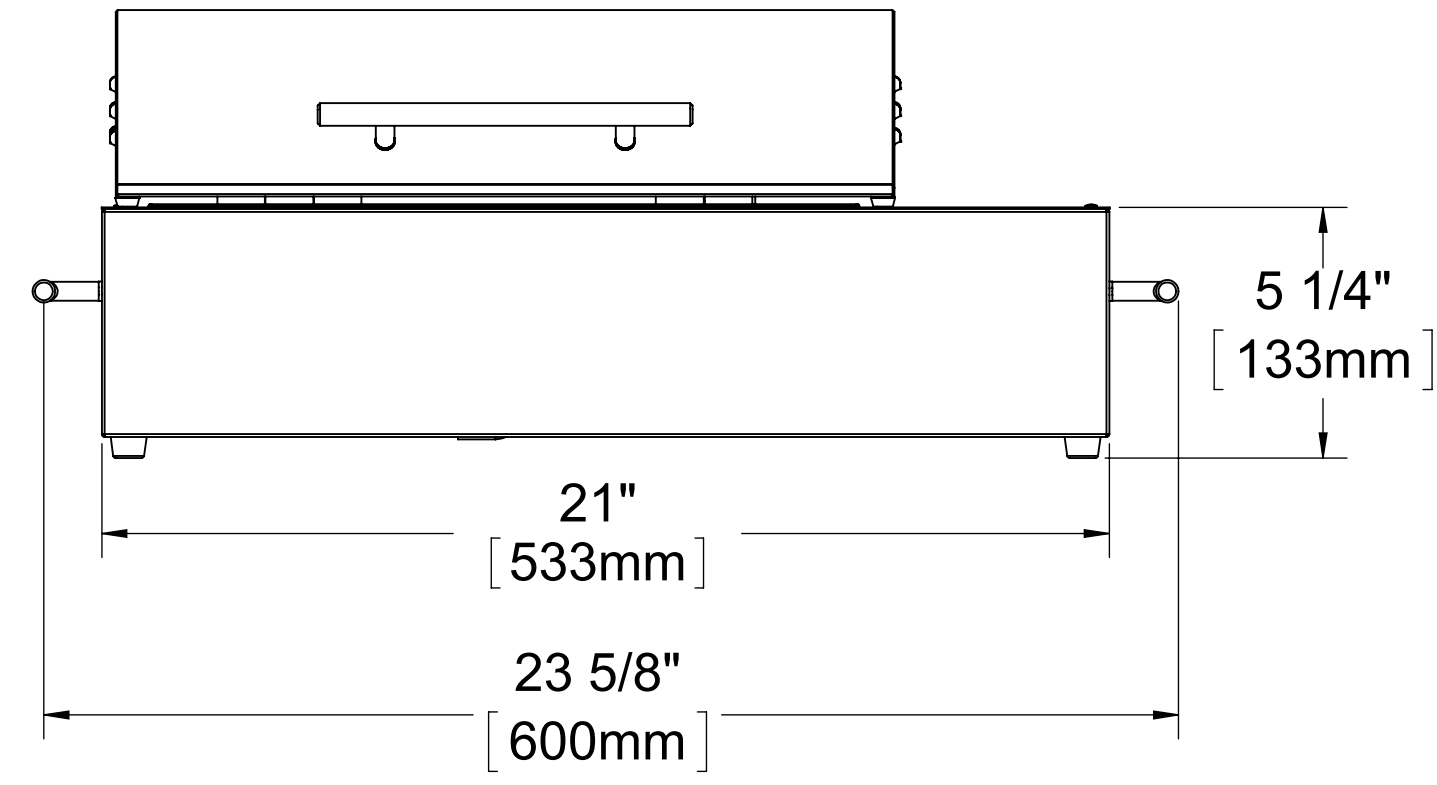
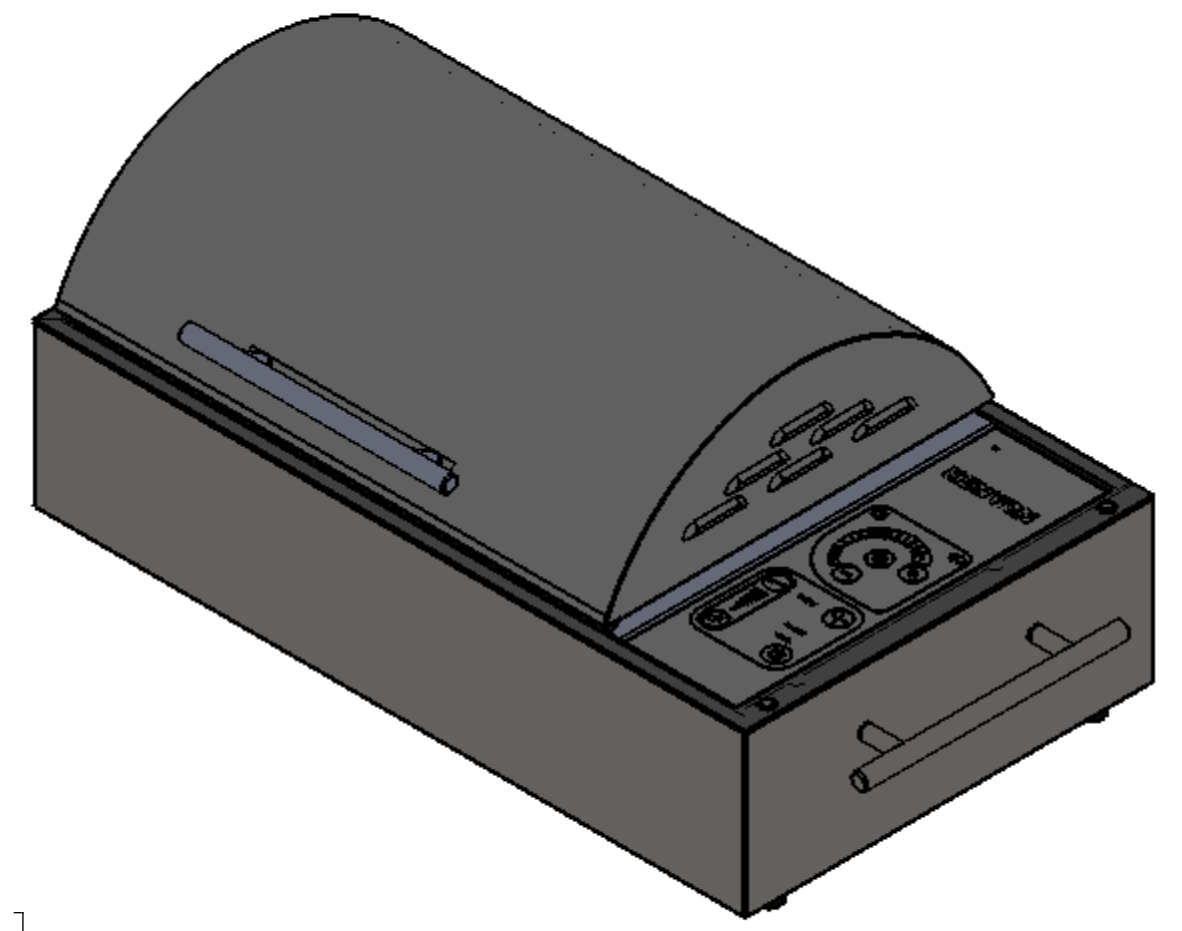
E

D

C

B

A



PROPRIETARY AND CONFIDENTIAL
 THE INFORMATION CONTAINED IN THIS DRAWING IS THE SOLE PROPERTY OF KENYON INTERNATIONAL. ANY REPRODUCTION IN PART OR AS A WHOLE WITHOUT THE WRITTEN PERMISSION OF KENYON INTERNATIONAL IS PROHIBITED.

UNLESS OTHERWISE SPECIFIED:		NAME	DATE	KENYON INTERNATIONAL 8 HERITAGE PARK - PO BOX 925 CLINTON, CT 06413
DIMENSIONS ARE IN INCHES		DRAWN	GSP	
TOLERANCES: MA CH ± 0.50"		CHECKED		TITLE: SINGLE ZONE INTELLIKEN FLORIDIAN LID
ANGULAR: MA CH ± 1.00"		ENG APPR.		
BEND ± 1.00"		MFG APPR.		
TWO PLACE DECIMAL ± .010"		Q.A.		SIZE DWG. NO. REV
THREE PLACE DECIMAL ± .005"		COMMENTS:		C B70582
INTERPRET GEOMETRIC TOLERANCING PER ANS/ASME Y14.5M-2009				SCALE: 1:1 WEIGHT: SHEET 1 OF 1
MATERIAL				
FINISH				
NEXT ASSY	USED ON			
APPLICATION				
DO NOT SCALE DRAWING				

8

7

6

5

4

3

2

1