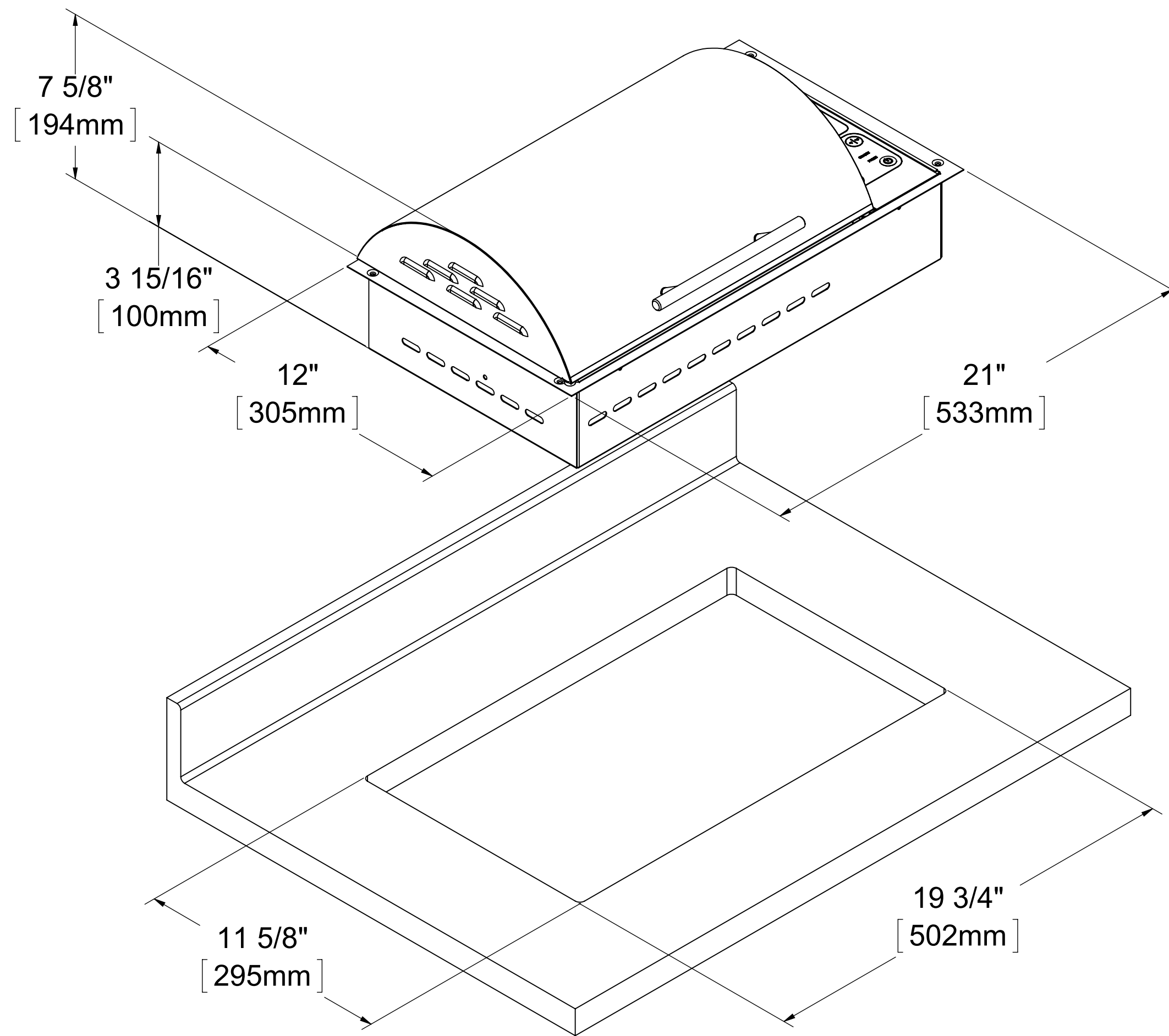


PROPRIETARY AND CONFIDENTIAL
 THE INFORMATION CONTAINED IN THIS DRAWING IS THE SOLE PROPERTY OF KENYON INTERNATIONAL. ANY REPRODUCTION IN PART OR AS A WHOLE WITHOUT THE WRITTEN PERMISSION OF KENYON INTERNATIONAL IS PROHIBITED.

		UNLESS OTHERWISE SPECIFIED:		NAME	DATE	KENYON INTERNATIONAL 8 HERITAGE PARK - PO BOX 925 CLINTON, CT 06413	
		DIMENSIONS ARE IN INCHES		DRAWN	GSP	10/26/17	TITLE: SINGLE ZONE INTELLIKEN FLORIDIAN LID
		TOLERANCES:		CHECKED			
		ANGULAR: MA CH ± 0.50°		ENG APPR.			
		BEND ± 1.00°		MFG APPR.			
		TWO PLACE DECIMAL ± .010"		Q.A.			SIZE DWG. NO. REV
		THREE PLACE DECIMAL ± .005"		COMMENTS:			C B70580, B70581
		INTERPRET GEOMETRIC TOLERANCING PER ANS/ASME Y14.5M-2009					SCALE: 1:1 WEIGHT: SHEET 1 OF 2
		MATERIAL					
		FINISH					
NEXT ASSY	USED ON	APPLICATION		DO NOT SCALE DRAWING			



PROPRIETARY AND CONFIDENTIAL
 THE INFORMATION CONTAINED IN THIS DRAWING IS THE SOLE PROPERTY OF KENYON INTERNATIONAL. ANY REPRODUCTION IN PART OR AS A WHOLE WITHOUT THE WRITTEN PERMISSION OF KENYON INTERNATIONAL IS PROHIBITED.

		UNLESS OTHERWISE SPECIFIED:				KENYON INTERNATIONAL 8 HERITAGE PARK - PO BOX 925 CLINTON, CT 06413	
		DIMENSIONS ARE IN INCHES		DRAWN		TITLE:	
		TOLERANCES:		CHECKED			
		ANGULAR: MACH ± 0.50°		ENG APPR.			
		BEND ± 1.00°		MFG APPR.			
		TWO PLACE DECIMAL ± .010"		Q.A.			
		THREE PLACE DECIMAL ± .005"		COMMENTS:			
		INTERPRET GEOMETRIC TOLERANCING PER ANS/ASME Y14.5M-2009					
		MATERIAL					
		FINISH				SIZE DWG. NO. REV	
NEXT ASSY		USED ON				C B70580 & B70581	
APPLICATION		DO NOT SCALE DRAWING				SCALE: 1:1 WEIGHT: SHEET 2 OF 2	