

8

7

6

5

4

3

2

1

F

E

D

C

B

A

F

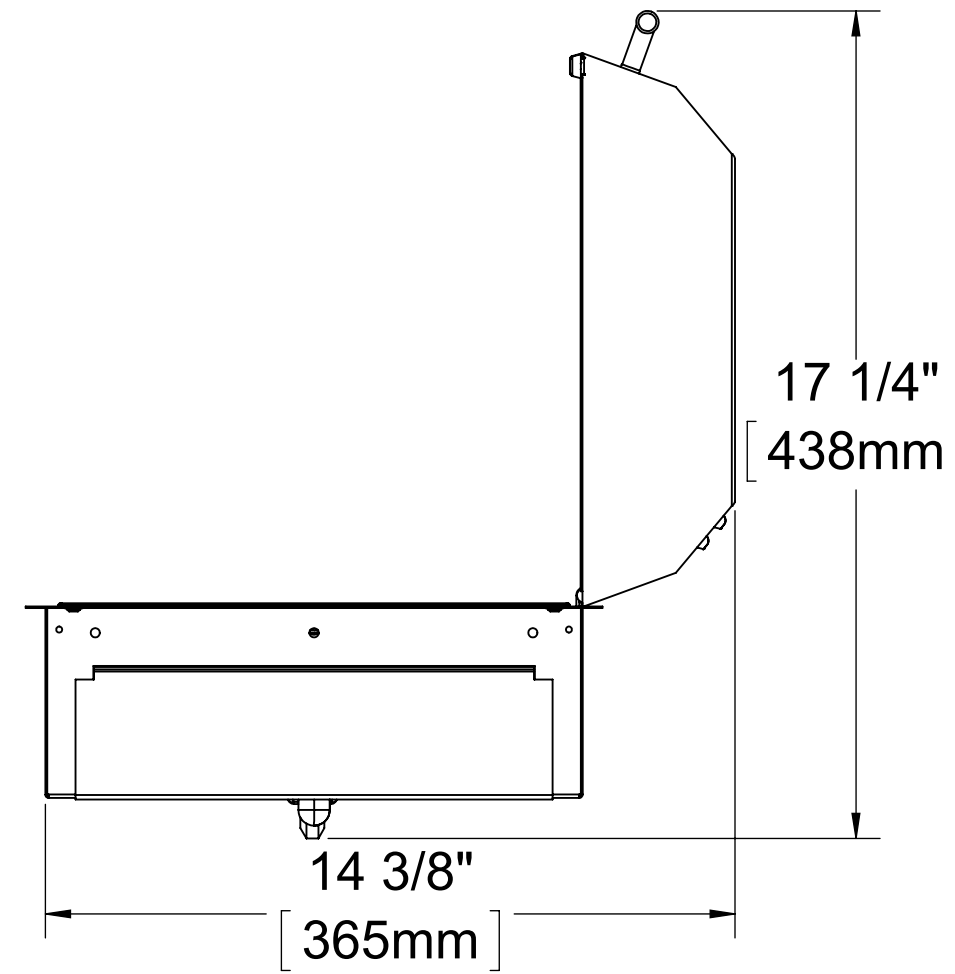
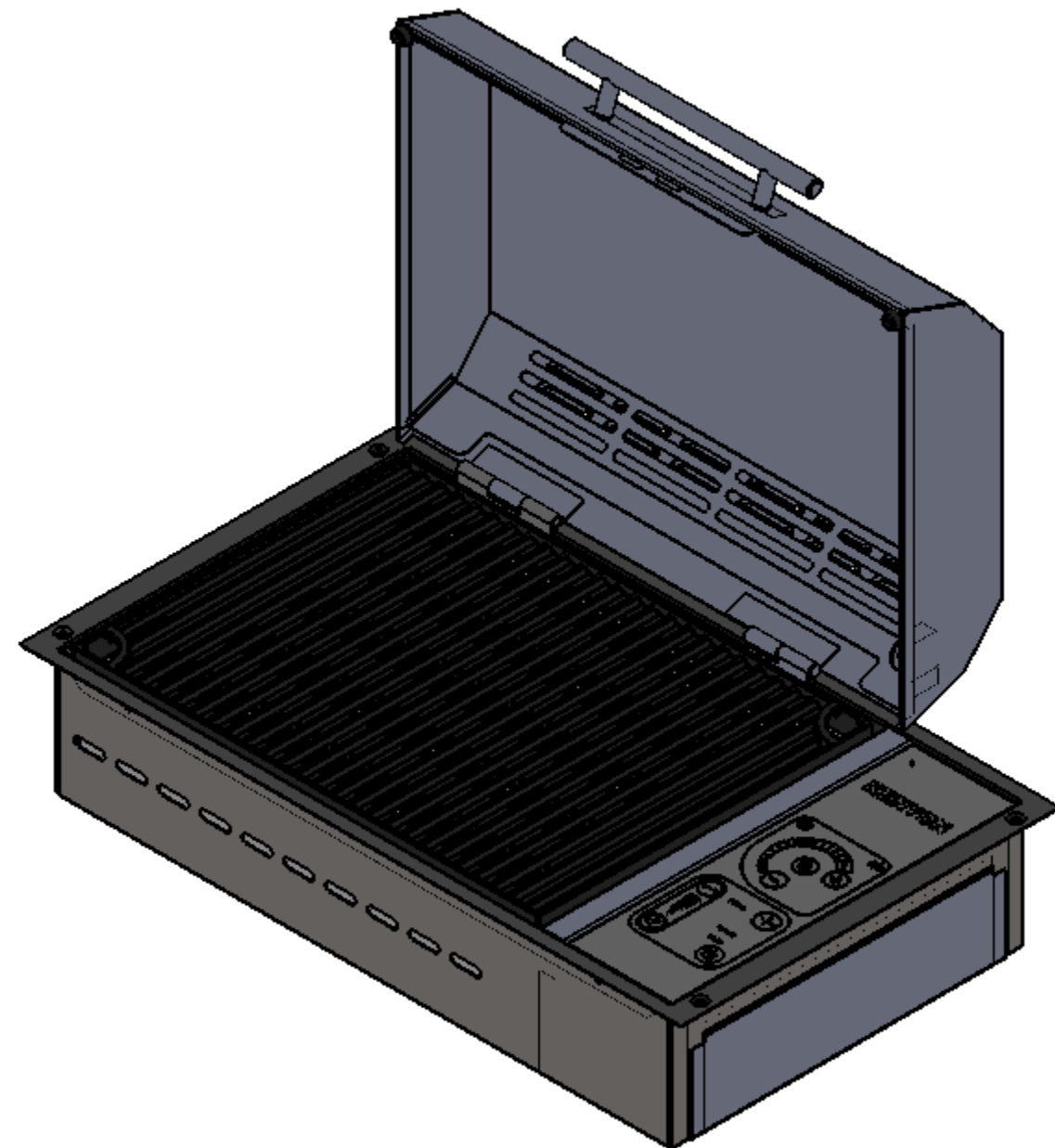
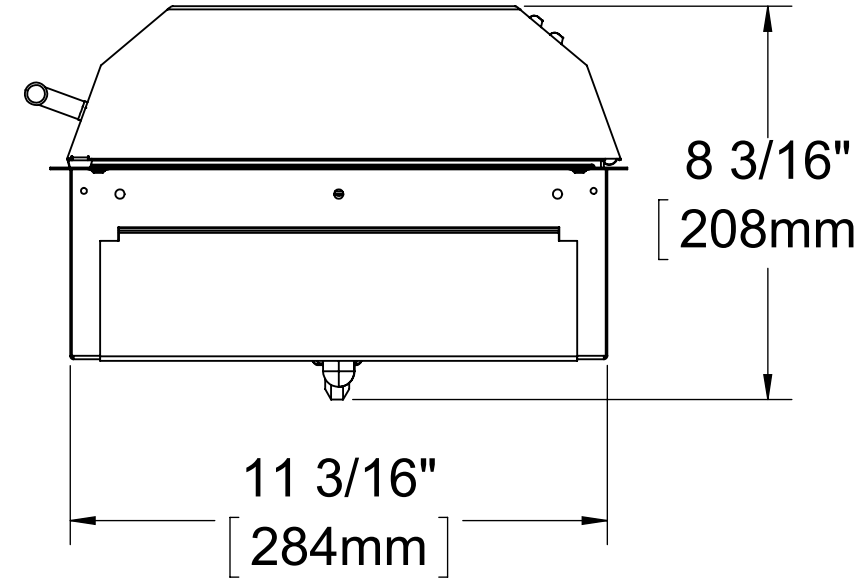
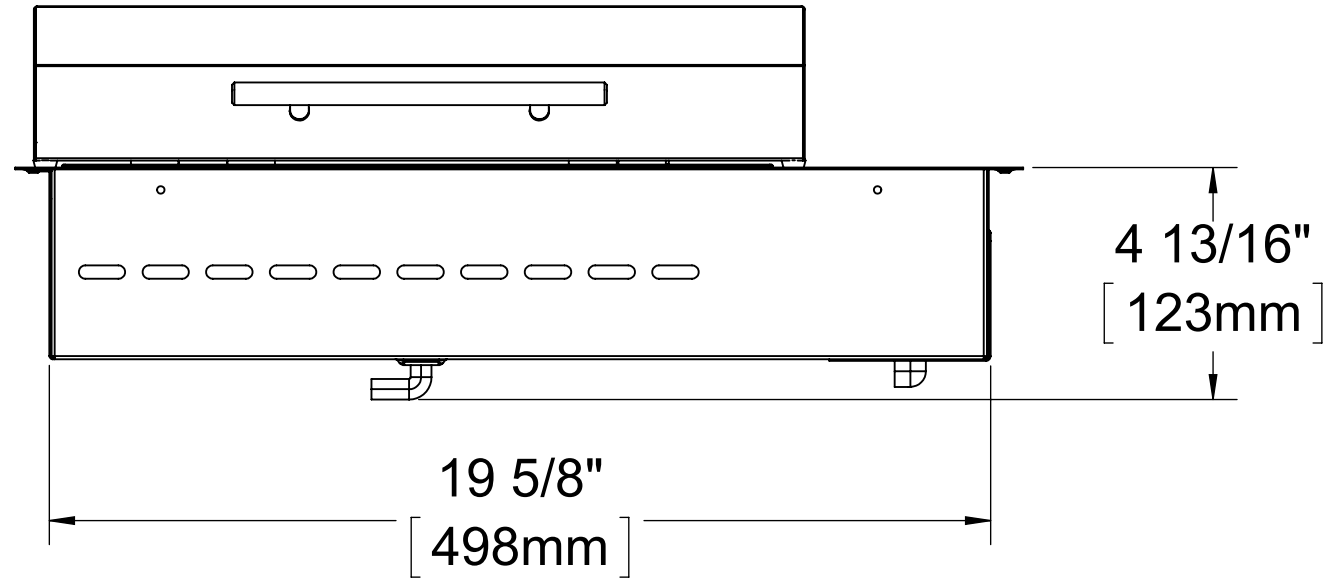
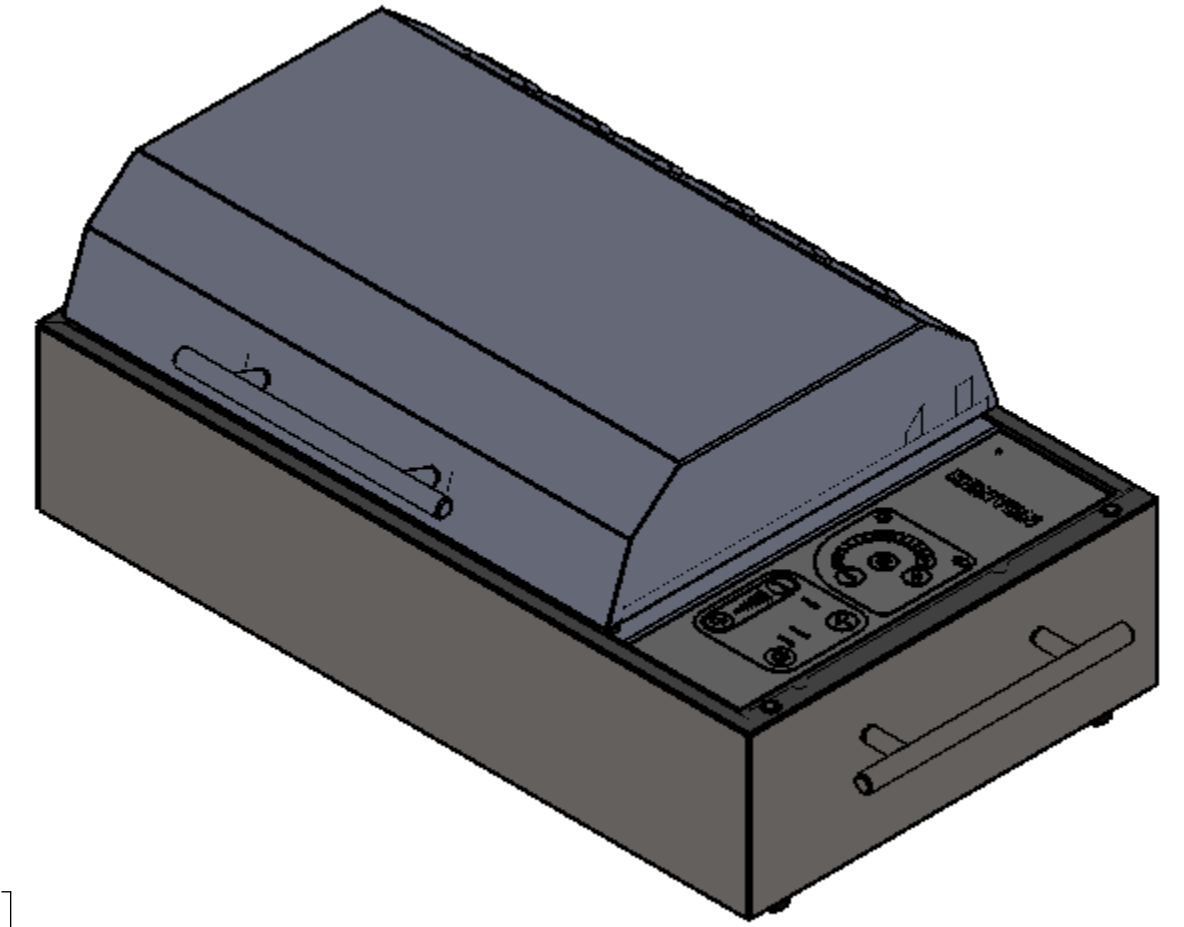
E

D

C

B

A



PROPRIETARY AND CONFIDENTIAL
 THE INFORMATION CONTAINED IN THIS DRAWING IS THE SOLE PROPERTY OF KENYON INTERNATIONAL. ANY REPRODUCTION IN PART OR AS A WHOLE WITHOUT THE WRITTEN PERMISSION OF KENYON INTERNATIONAL IS PROHIBITED.

		UNLESS OTHERWISE SPECIFIED:		NAME	DATE	KENYON INTERNATIONAL 8 HERITAGE PARK - PO BOX 925 CLINTON, CT 06413	
		DIMENSIONS ARE IN INCHES		DRAWN	GSP	10/26/17	TITLE:
		TOLERANCES:		CHECKED			SINGLE ZONE INTELLIKEN FRONTIER LID
		ANGULAR: MACH ± 0.50°		ENG APPR.			
		BEND ± 1.00°		MFG APPR.			
		TWO PLACE DECIMAL ± .010°		Q.A.			SIZE DWG. NO.
		THREE PLACE DECIMAL ± .005°		COMMENTS:			C B70550 & B70551
		INTERPRET GEOMETRIC TOLERANCING PER ANSI/ASME Y14.5M-2009					REV
		MATERIAL					SCALE: 1:8 WEIGHT:
		FINISH					SHEET 1 OF 2
NEXT ASSY	USED ON	APPLICATION	DO NOT SCALE DRAWING				

8

7

6

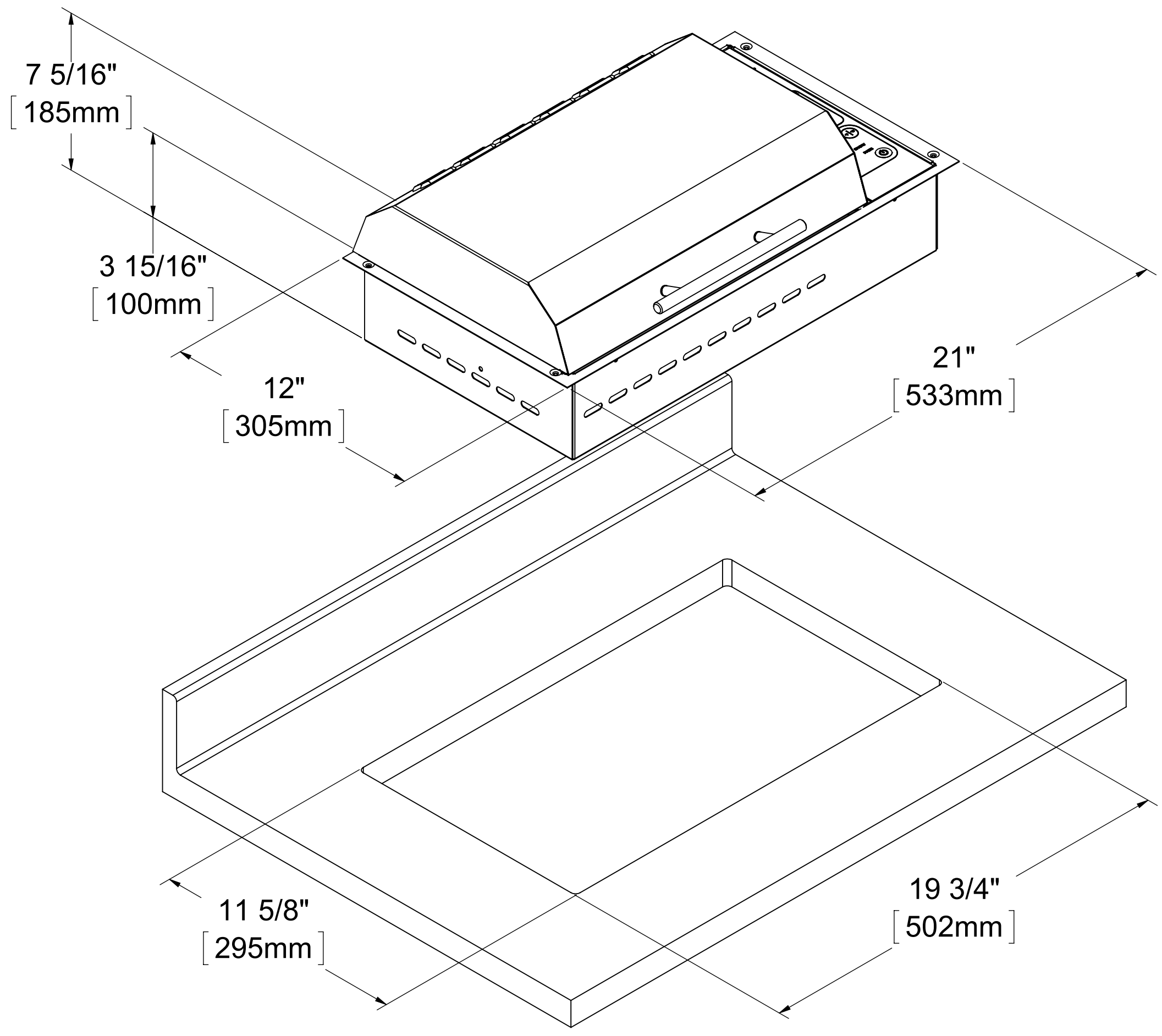
5

4

3

2

1



PROPRIETARY AND CONFIDENTIAL
 THE INFORMATION CONTAINED IN THIS DRAWING IS THE SOLE PROPERTY OF KENYON INTERNATIONAL. ANY REPRODUCTION IN PART OR AS A WHOLE WITHOUT THE WRITTEN PERMISSION OF KENYON INTERNATIONAL IS PROHIBITED.

UNLESS OTHERWISE SPECIFIED:		NAME	DATE
DIMENSIONS ARE IN INCHES		DRAWN	
TOLERANCES:		CHECKED	
ANGULAR: MACH $\pm 0.50^\circ$		ENG APPR.	
BEND $\pm 1.00^\circ$		MFG APPR.	
TWO PLACE DECIMAL $\pm .010''$		Q.A.	
THREE PLACE DECIMAL $\pm .005''$		COMMENTS:	
INTERPRET GEOMETRIC TOLERANCING PER ANS/ASME Y14.5M-2009			
MATERIAL	FINISH		
NEXT ASSY	USED ON		
APPLICATION	DO NOT SCALE DRAWING		

KENYON INTERNATIONAL 8 HERITAGE PARK - PO BOX 925 CLINTON, CT 06413		
TITLE:		
SIZE	DWG. NO.	REV
C	B70550 & B70551	
SCALE: 1:8	WEIGHT:	SHEET 2 OF 2