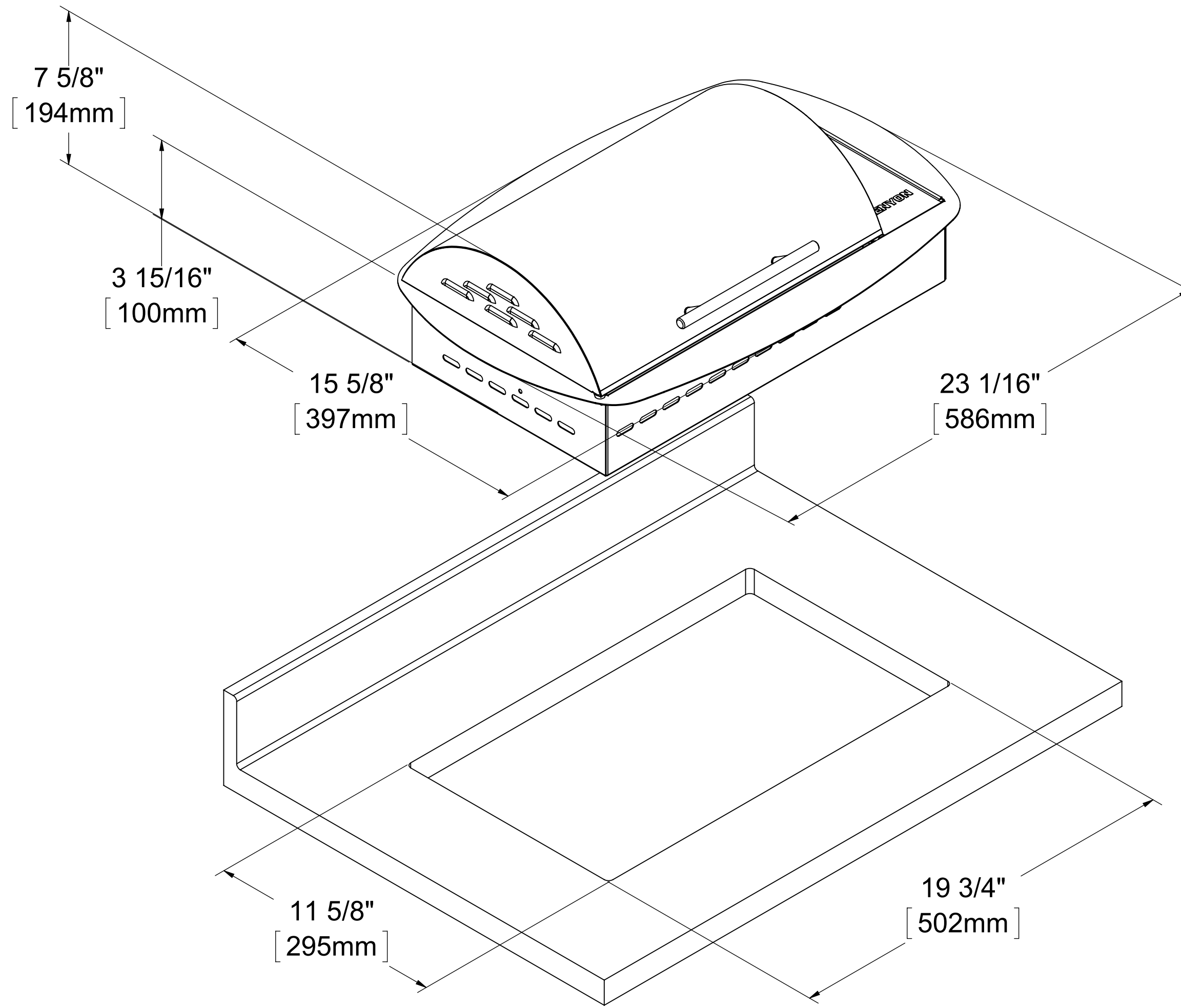


PROPRIETARY AND CONFIDENTIAL
 THE INFORMATION CONTAINED IN THIS DRAWING IS THE SOLE PROPERTY OF KENYON INTERNATIONAL. ANY REPRODUCTION IN PART OR AS A WHOLE WITHOUT THE WRITTEN PERMISSION OF KENYON INTERNATIONAL IS PROHIBITED.

UNLESS OTHERWISE SPECIFIED: DIMENSIONS ARE IN INCHES TOLERANCES: ANGULAR: MACH ± 0.50° BEND ± 1.00° TWO PLACE DECIMAL ± .010° THREE PLACE DECIMAL ± .005°		DRAWN	GSP	DATE	4/26/18	KENYON INTERNATIONAL 8 HERITAGE PARK - PO BOX 925 CLINTON, CT 06413 TITLE: 120V ELECTRIC GRILL RIO FLANGE FLORIDIAN LID
INTERPRET GEOMETRIC TOLERANCING PER ANSI/ASME Y14.5M-2009		CHECKED				
MATERIAL		ENG APPR.				
FINISH		MFG APPR.				
NEXT ASSY	USED ON	Q.A.				SIZE DWG. NO. C B70085
APPLICATION		COMMENTS:				SCALE: 1:1 WEIGHT: SHEET 1 OF 2



PROPRIETARY AND CONFIDENTIAL
 THE INFORMATION CONTAINED IN THIS DRAWING IS THE SOLE PROPERTY OF KENYON INTERNATIONAL. ANY REPRODUCTION IN PART OR AS A WHOLE WITHOUT THE WRITTEN PERMISSION OF KENYON INTERNATIONAL IS PROHIBITED.

UNLESS OTHERWISE SPECIFIED:		NAME	DATE
DIMENSIONS ARE IN INCHES		DRAWN	
TOLERANCES:		CHECKED	
ANGULAR: MACH ± 0.50°		ENG APPR.	
BEND ± 1.00°		MFG APPR.	
TWO PLACE DECIMAL ± .010°		Q.A.	
THREE PLACE DECIMAL ± .005°		COMMENTS:	
INTERPRET GEOMETRIC TOLERANCING PER ANSI/ASME Y14.5M-2009			
MATERIAL	FINISH		
NEXT ASSY	USED ON		
APPLICATION	DO NOT SCALE DRAWING		

KENYON INTERNATIONAL 8 HERITAGE PARK - PO BOX 925 CLINTON, CT 06413		
TITLE: 120V ELECTRIC GRILL RIO FLANGE FLORIDIAN LID		
SIZE	DWG. NO.	REV
C	B70085	
SCALE: 1:4	WEIGHT:	SHEET 2 OF 2