

8

7

6

5

4

3

2

1

F

F

E

E

D

D

C

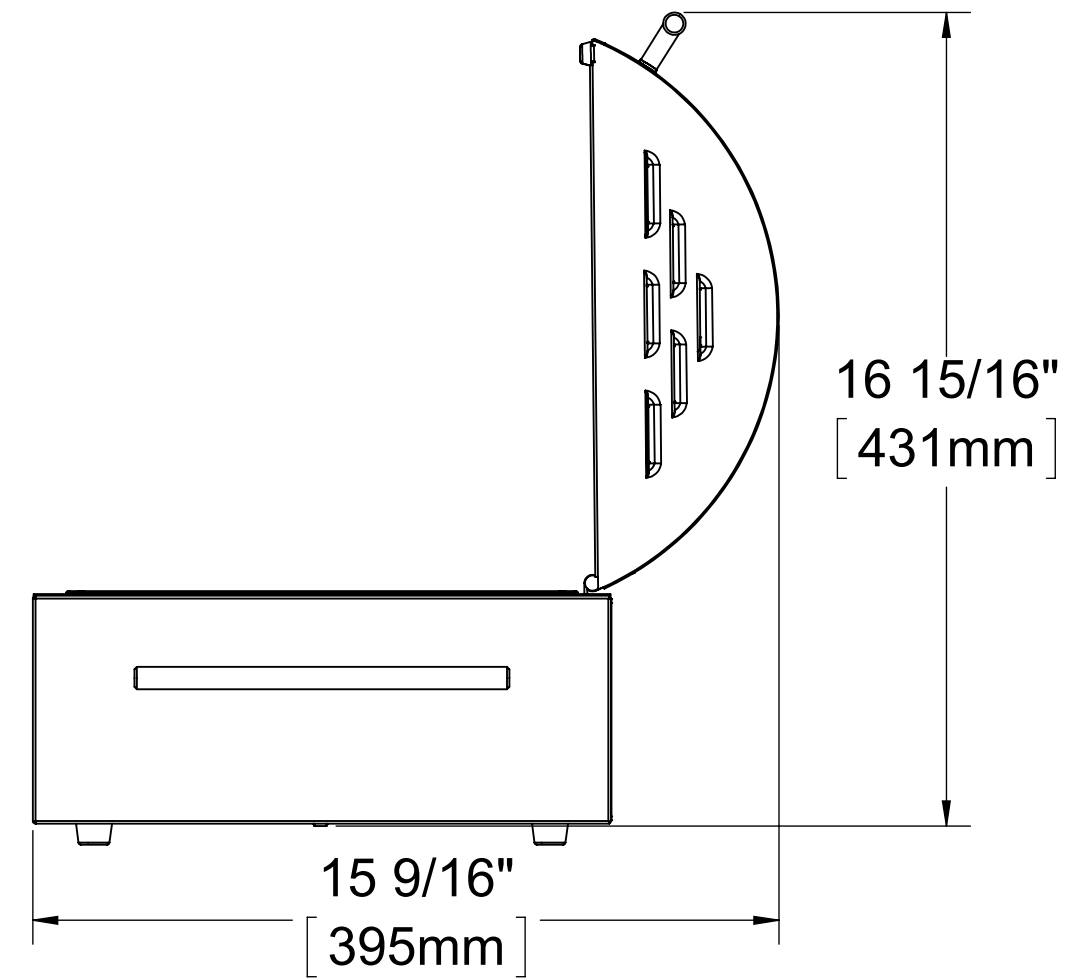
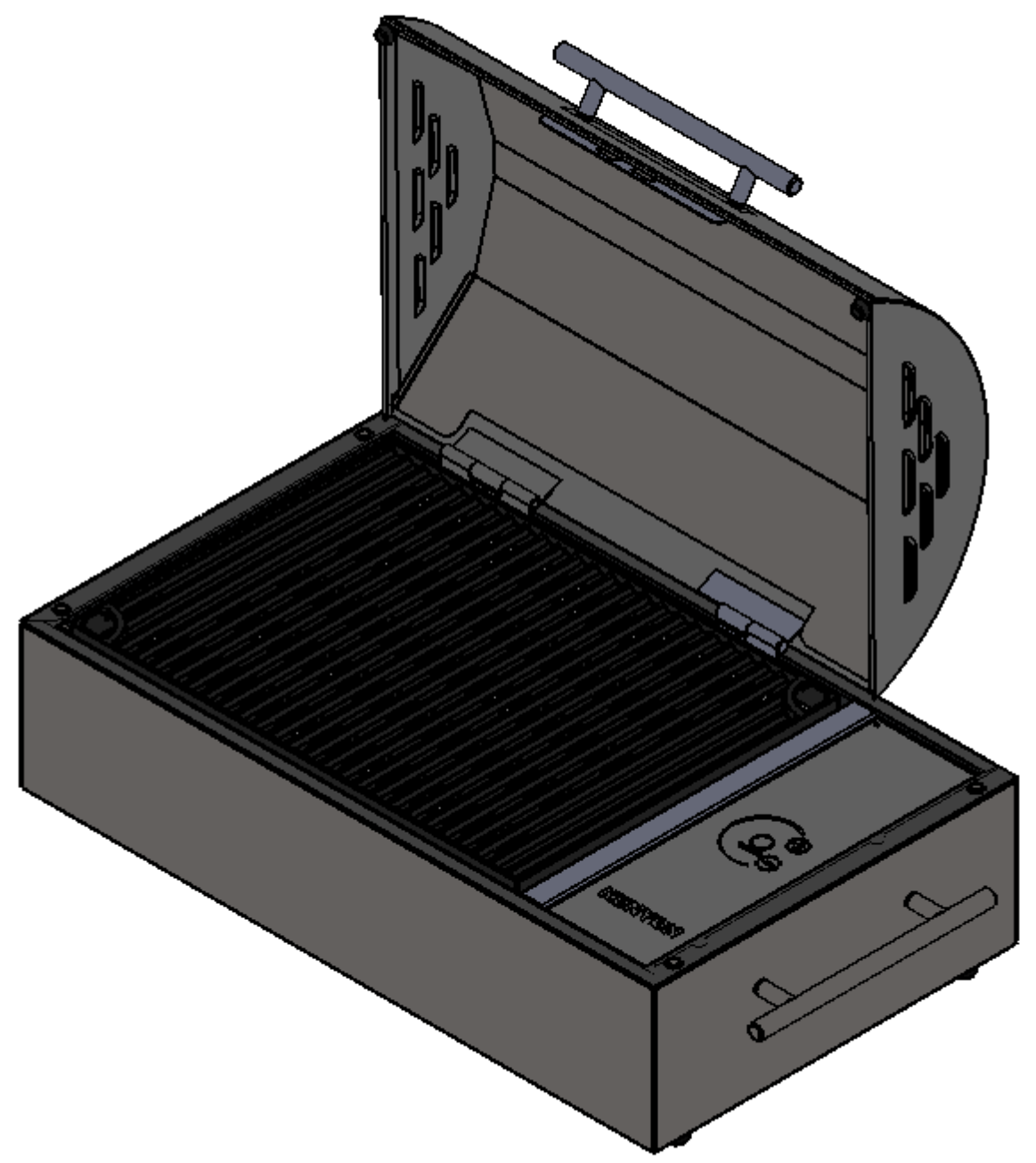
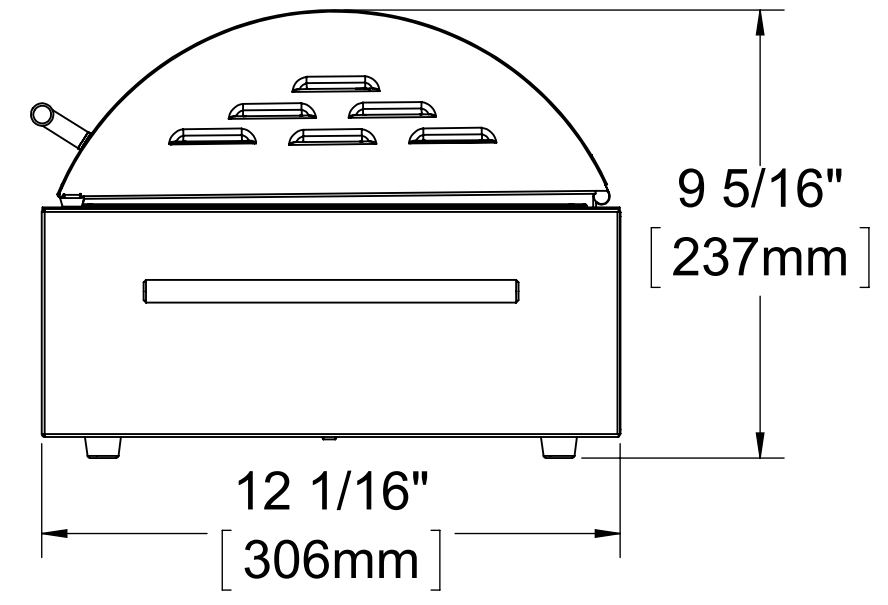
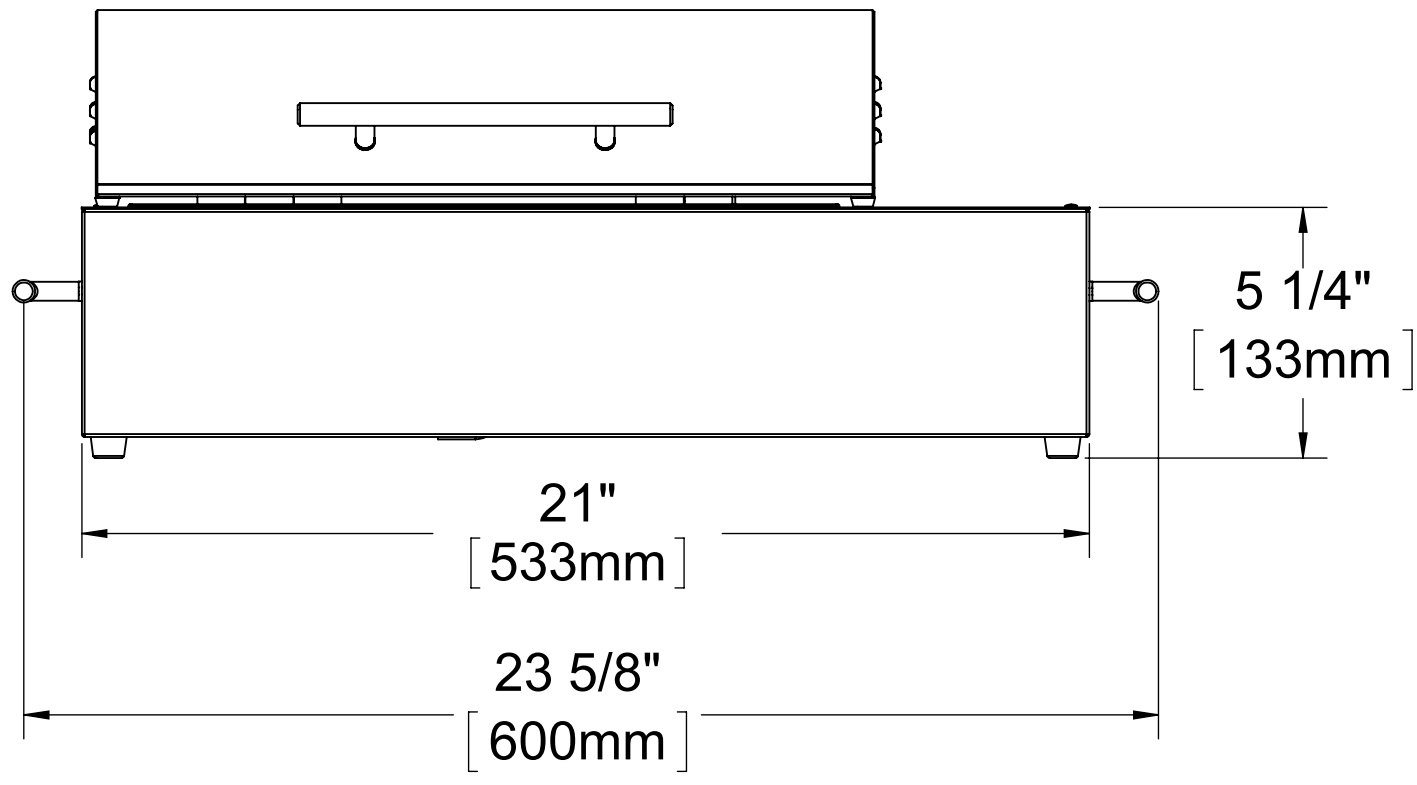
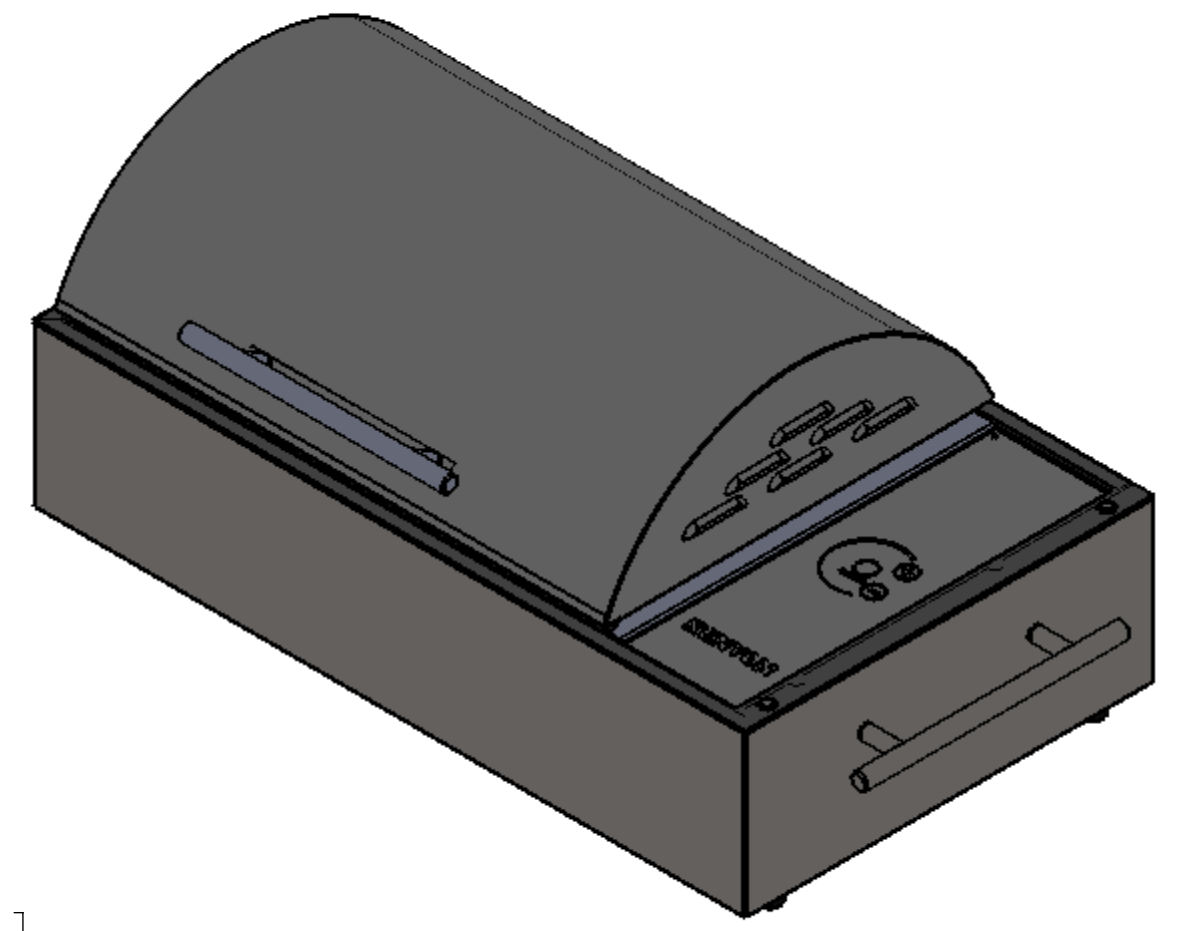
C

B

B

A

A



PROPRIETARY AND CONFIDENTIAL
 THE INFORMATION CONTAINED IN THIS DRAWING IS THE SOLE PROPERTY OF KENYON INTERNATIONAL. ANY REPRODUCTION IN PART OR AS A WHOLE WITHOUT THE WRITTEN PERMISSION OF KENYON INTERNATIONAL IS PROHIBITED.

UNLESS OTHERWISE SPECIFIED:		NAME	DATE	KENYON INTERNATIONAL 8 HERITAGE PARK - PO BOX 925 CLINTON, CT 06413	
DIMENSIONS ARE IN INCHES		DRAWN	GSP	4/26/18	TITLE: 120V ELECTRIC GRILL FLORIDIAN LID PORTABLE
TOLERANCES: MA CH ± 0.50"		CHECKED			
ANGULAR: MA CH ± 1.00"		ENG APPR.			
BEND ± 1.00"		MFG APPR.			
TWO PLACE DECIMAL ± .010"		Q.A.			SIZE DWG. NO. REV
THREE PLACE DECIMAL ± .005"		COMMENTS:			C B70082
INTERPRET GEOMETRIC TOLERANCING PER ANS/ASME Y14.5M-2009					SCALE: 1:1 WEIGHT: SHEET 1 OF 1
MATERIAL	FINISH				
NEXT ASSY	USED ON				
APPLICATION	DO NOT SCALE DRAWING				

8

7

6

5

4

3

2

1