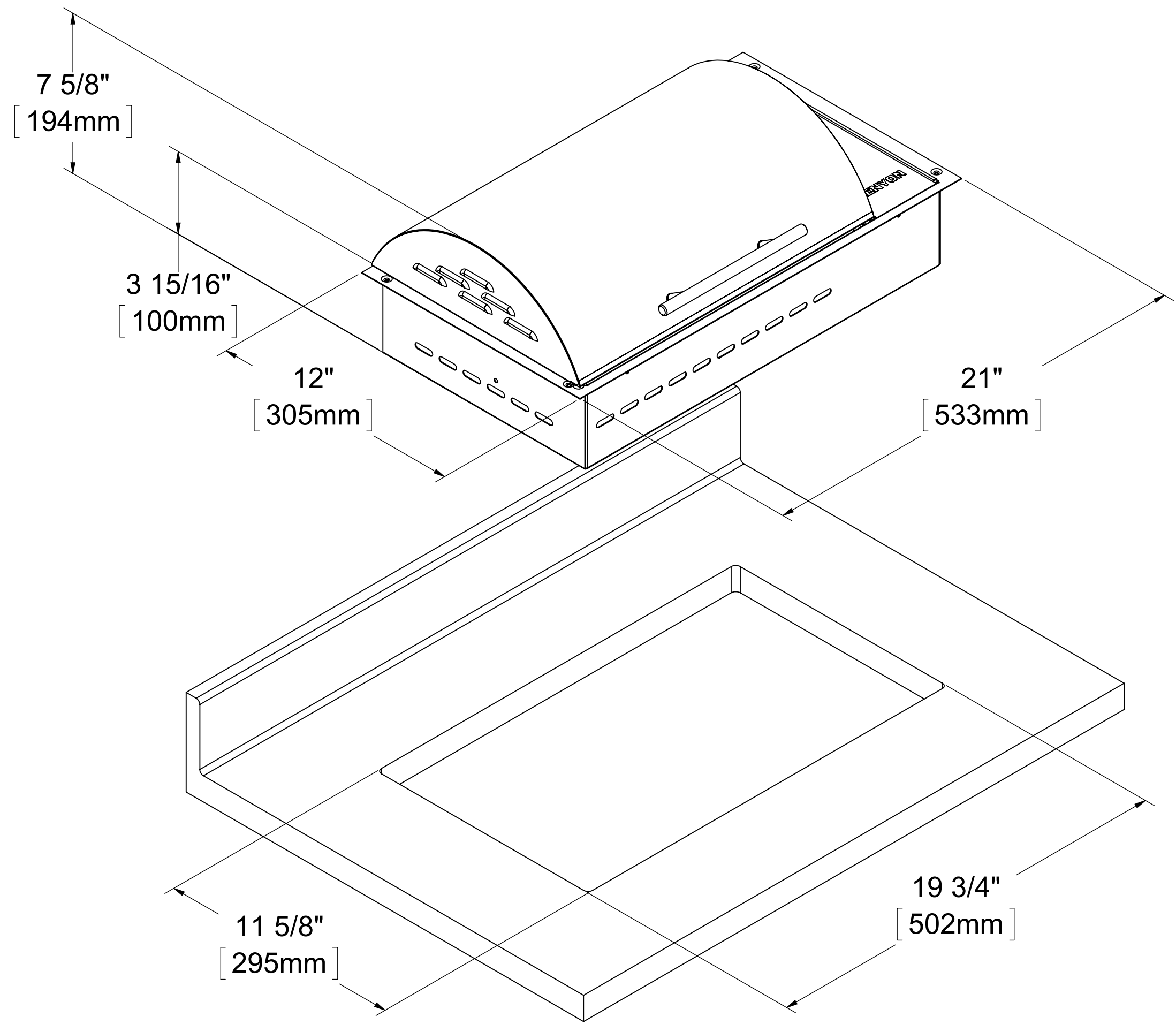


PROPRIETARY AND CONFIDENTIAL
 THE INFORMATION CONTAINED IN THIS DRAWING IS THE SOLE PROPERTY OF KENYON INTERNATIONAL. ANY REPRODUCTION IN PART OR AS A WHOLE WITHOUT THE WRITTEN PERMISSION OF KENYON INTERNATIONAL IS PROHIBITED.

UNLESS OTHERWISE SPECIFIED:		NAME	DATE	KENYON INTERNATIONAL 8 HERITAGE PARK - PO BOX 925 CLINTON, CT 06413	
DIMENSIONS ARE IN INCHES		DRAWN	GSP	4/26/18	TITLE: 120V ELECTRIC GRILL FLORIDIAN LID
TOLERANCES: MAACH ± 0.50"		CHECKED			
ANGULAR: MAACH ± 1.00"		ENG APPR.			
BEND ± 1.00"		MFG APPR.			
TWO PLACE DECIMAL ± .010"		Q.A.			SIZE DWG. NO. REV
THREE PLACE DECIMAL ± .005"		COMMENTS:			C B70080
INTERPRET GEOMETRIC TOLERANCING PER ANS/ASME Y14.5M-2009					SCALE: 1:1 WEIGHT: SHEET 1 OF 2
MATERIAL	FINISH				
NEXT ASSY	USED ON				
APPLICATION	DO NOT SCALE DRAWING				



PROPRIETARY AND CONFIDENTIAL
 THE INFORMATION CONTAINED IN THIS DRAWING IS THE SOLE PROPERTY OF KENYON INTERNATIONAL. ANY REPRODUCTION IN PART OR AS A WHOLE WITHOUT THE WRITTEN PERMISSION OF KENYON INTERNATIONAL IS PROHIBITED.

UNLESS OTHERWISE SPECIFIED:		NAME	DATE
DIMENSIONS ARE IN INCHES		DRAWN	
TOLERANCES: MA CH ± 0.50"		CHECKED	
ANGULAR: MA CH ± 1.00"		ENG APPR.	
BEND ± 1.00"		MFG APPR.	
TWO PLACE DECIMAL ± .010"		Q.A.	
THREE PLACE DECIMAL ± .005"		COMMENTS:	
INTERPRET GEOMETRIC TOLERANCING PER ANSI/ASME Y14.5M-2009			
MATERIAL	FINISH		
NEXT ASSY	USED ON		
APPLICATION	DO NOT SCALE DRAWING		

KENYON INTERNATIONAL 8 HERITAGE PARK - PO BOX 925 CLINTON, CT 06413		
TITLE: 120V ELECTRIC GRILL FLORIDIAN LID		
SIZE	DWG. NO.	REV
C	B70080	
SCALE: 1:1	WEIGHT:	SHEET 2 OF 2