

# **CERAMIC GLASS COOKTOP OWNERS MANUAL**

[WWW.COOKWITHKENYON.COM](http://WWW.COOKWITHKENYON.COM)

**KENYON<sup>®</sup>**

*Make any day a weekend*



Manual #143117  
Revised: 5/19/2026



# Contents

---

<b>Product Specifications</b> .....	4
<b>Important Safety Instructions</b> .....	7
<b>Electrical Supply</b> .....	9
<b>Installation</b>	
Unpacking the Cooktop.....	10
Parts Included.....	10
Check the Electrical Supply Requirements.....	10
Countertop Preparation.....	11
Installing the Cooktop.....	12
Electrical Connection.....	13
Final Preparations Prior to Use.....	13
<b>Operation</b>	
Cookware.....	14
Heating Elements.....	14
Knob and Indicator Lights.....	15
Cleaning.....	15
<b>Warranty</b> .....	16

## Please read & save these instructions

---

Thank you for choosing **Kenyon**, the world's leading manufacturer of specialty cooking appliances. By following the instructions in this owners manual, your cooktop will provide you with many years of reliable service.

To ensure our ability to continue serving you, please use this page to record important product information.

## For quick reference please keep a record here:

---

Purchase date

---

Model number

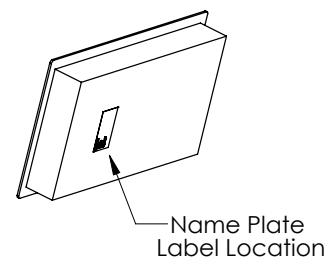
---

Serial number

---

## Name plate location

---



# Product Specifications

---

## **Single Burner:** *Mediterranean, Alpine, Caribbean & Cortez*

B41517, B49517, B41605 & B41704 - 120V AC - one 6 1/2" (165mm) burner @ 1200 watts

B41518, B49518, B41606 & B41705 - 240V AC - one 6 1/2" (165mm) burner @ 1200 watts

B41598, B49598, B41696 & B41709 - 208V AC - one 6 1/2" (165mm) burner @ 1200 watts

Overall dimensions: 12" x 12-1/2" x 3-1/4"

304.8mm x 317.5mm x 82.6mm

Cutout dimensions: 10-3/4" x 11-1/2" with 1/4" radius

273.0mm x 292.1mm with 6.4 radius

Cutout dimensions: 18-1/16" x 19-9/16" with 1/4" radius

458.8mm x 496.9mm with 6.4mm radius

## **Two Burner:** *Mediterranean & Alpine*

B41510 & B49510 - 120V AC - one 6 1/2" (165mm) burner @ 1200 watts

one 8" (200mm) burner @ 1400 watts

B41511 & B49511 - 240V AC - one 6 1/2" (165mm) burner @ 1200 watts

one 8" (200mm) burner @ 1800 watts

B41591 & B49591 - 208V AC - one 6 1/2" (165mm) burner @ 1200 watts

one 8" (200mm) burner @ 1800 watts

Overall dimensions: 23-1/4" x 14-1/4" x 3-1/4"

590.6mm x 362.0mm x 82.6mm

Cutout dimensions: 21-3/4" x 12-3/4" with 1/4" radius

552.5mm x 323.9mm with 6.4 radius

## **Two Burner Trimline:** *Mediterranean, Alpine, Caribbean & Cortez*

B41515, B49515, B41601 & B41710 - 120V AC - two 6 1/2" (165mm) burners @ 1200 watts each

B41516, B49516, B41602 & B41711 - 240V AC - two 6 1/2" (165mm) burners @ 1200 watts each

B41596, B49596, B41692 & B41719 - 208V AC - two 6 1/2" (165mm) burners @ 1200 watts each

Overall dimensions: 21" x 12" x 3-1/4"

533.4mm x 304.8mm x 82.6mm

Cutout dimensions: 20" x 10-3/4" with 1/4" radius

508mm x 273mm with 6.4 radius

# Product Specifications

---

## **XL Two Burner:** *Arctic, Antarctic & Glacier*

B41603, B49512 & B41706 - 120V AC - one 6 1/2" (165mm) burner @ 1200 watts  
one 8" (200mm) burner @ 1400 watts

B41604, B49513 & B41707 - 240V AC - one 6 1/2" (165mm) burner @ 1200 watts  
one 8" (200mm) burner @ 1800 watts

B41694, B49593 & B41794 - 208V AC - one 6 1/2" (165mm) burner @ 1200 watts  
one 8" (200mm) burner @ 1800 watts

Overall dimensions: 21" x 17" x 3-1/4"  
533.4mm x 431.8mm x 82.6mm

Cutout dimensions: 19-1/2" x 16" with 1/4" radius  
495.3mm x 406.4mm with 6.4 radius

## **Three Burner:** *Mediterranean & Caribbean*

B41508 & B41608 - 120V AC - three 6 1/2" (165mm) burners @ 1200 watts each

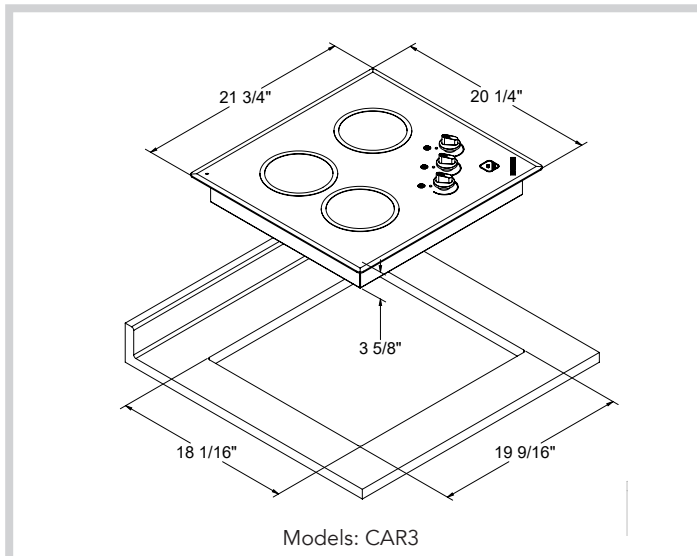
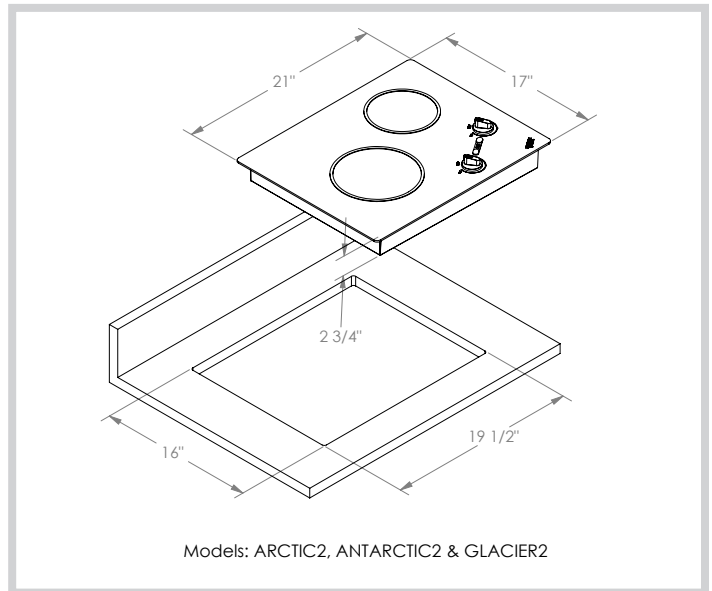
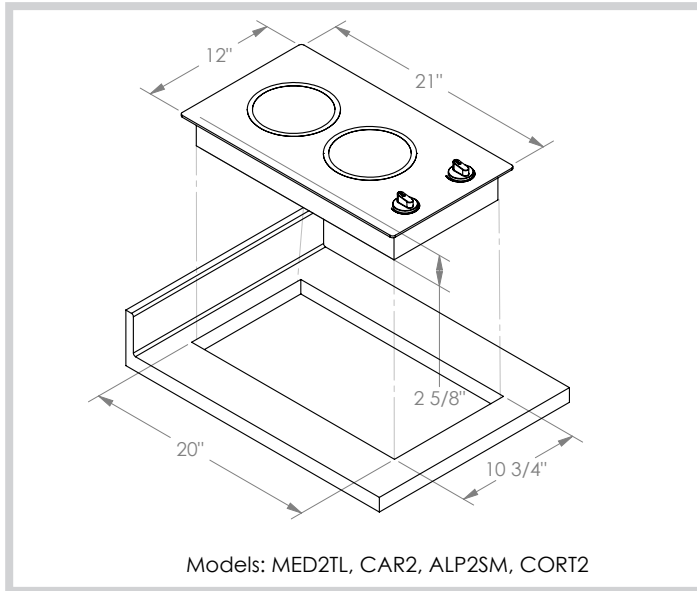
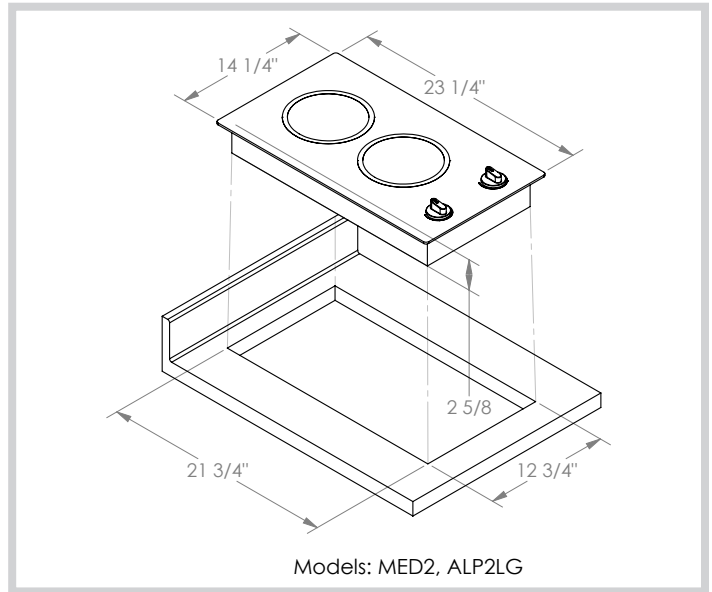
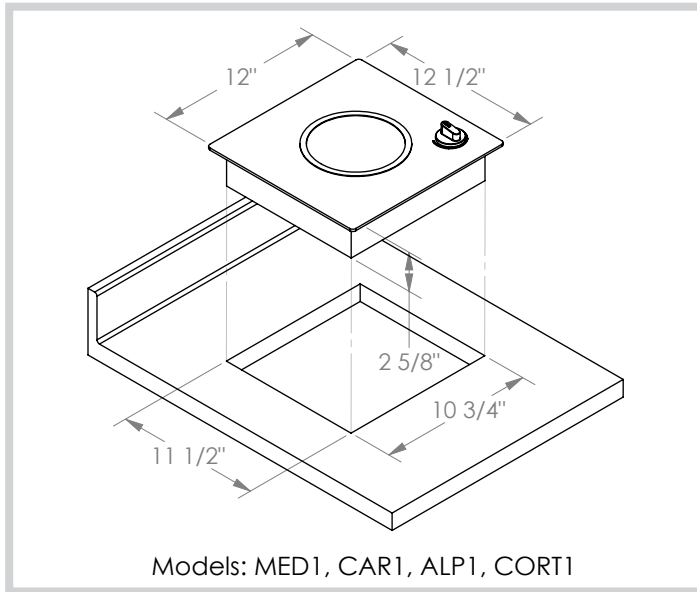
B41509 & B41609 - 240V AC - three 6 1/2" (165mm) burners @ 1200 watts each

B41507 & B41607 - 208V AC - three 6 1/2" (165mm) burners @ 1200 watts each

Overall dimensions: 21-3/4" x 20-1/4" x 3-5/8"  
552.5mm x 514.4mm x 92.1mm

Cutout dimensions: 18-1/16" x 19-9/16" with 1/4" radius  
458.8mm x 496.9mm with 6.4mm radius

# Product Specifications



# IMPORTANT SAFETY INSTRUCTIONS

---

## **Do not cook on a broken cooktop.**

If the cooktop should break or crack, cleaning solutions and spillovers may penetrate the broken cooktop and create a risk of electric shock. Contact an authorized service center or KENYON Customer Care immediately at (860) 664-4906.

## **Clean cooktop with caution.**

If a wet sponge or cloth is used to wipe spills on a hot cooking surface, be careful to avoid steam burns. Some cleaners produce noxious fumes if applied to a hot surface. Read the cleaner label for details prior to using.

## ***DO NOT TOUCH SURFACE UNITS OR AREAS NEAR UNITS.***

Surface units may be hot. Areas near surface may become hot enough to cause burns. During and after use, do not touch, or let clothing or other flammable materials contact surface units until they have had sufficient time to cool. Among these areas are the cooking zone and surrounding glass surface.

## ***DO NOT TOUCH COOKING ZONES***

The cooking zones on the cooktop may be hot. These areas may be hot enough to cause burns. Never touch cooking zones until they have had sufficient time to cool. Likewise, never allow clothing or flammable materials to come in contact with cooking zones or cooktop surfaces until they have had sufficient time to cool. Other surfaces of the appliance may become hot enough to cause burns.

## **Use proper pan size.**

This appliance is equipped with one or more surface units of different size. Select pans having flat bottoms large enough to cover the cooking zone. Proper relationship of pan size to cooking zone will improve efficiency.

## **Never Leave Surface Units Unattended at High Heat Settings.**

Boilover causes smoking and greasy spillovers that may ignite.

## **Glazed cooking pans will not work with induction cooktops.**

## **DO NOT USE ALUMINUM FOIL ON COOKTOP SURFACE.**

## **Pan Handles Should be Turned Inward and Not Extend Over Adjacent Surface Units.**

To reduce the risk of burns, ignition of flammable materials, and spillage due to unintentional contact with the pan, the handle of a pan should be positioned so that it is turned inward, and does not extend over adjacent surface units.

## **Cookware should always be dry.**

Do not heat cookware with excess water droplets on the outside of the pan. The droplets may begin to boil and splatter.

## **NEVER HEAT AN EMPTY PAN.**

Doing so may damage the cooktop or cookware and cause overheating.

# IMPORTANT SAFETY INSTRUCTIONS

---

**WARNING:**

If the glass is cracked, switch off the appliance to avoid the possibility of electric shock.

**Metallic objects** such as knives, forks, spoons and lids should not be placed on the cooktop/hob surface since they can get hot.

**This appliance is not intended for use by persons (including children) with reduced physical sensory or mental capabilities, or lack of experience and knowledge, unless they have been given supervision or instruction concerning use of the appliance by a person responsible for their safety.**

**Children should be supervised to ensure that they do not play with the appliance.**

**The appliance is not intended to be operated by means of an external timer or separate remote-control system.**

**Danger of fire:** Do not store items on the cooking surfaces.

**CAUTION:**

The cooking process has to be supervised. A short term cooking process has to be supervised continuously.

**WARNING:**

Unattended cooking on a cooktop/hob with fat or oil can be dangerous and may result in a fire.

**If the power supply cord is damaged,** it must be replaced by the manufacturer, its service agent or similarly qualified persons in order to avoid a hazard.

**DO NOT DISCARD THESE INSTRUCTIONS, KEEP THEM WITH THE KENYON COOKTOP FOR FUTURE REFERENCE.**

# Electrical Supply

Kenyon Part #	Model #	Max Connected Load	Required Power Supply Input	Minimum Wire Size
B41510	MED2	2600 Watts	120 VAC/22A/60Hz	#12 AWG
B41511	MED2	3000 Watts	240 VAC/12.5A/60Hz	#12 AWG
B41591	MED2	3000 Watts	208 VAC/14.5A/60Hz	#12 AWG
B41515	MED2TL	2400 Watts	120 VAC/20A/60Hz	#12 AWG
B41516	MED2TL	2400 Watts	240 VAC/10A/60Hz	#12 AWG
B41596	MED2TL	2400 Watts	208 VAC/11.5A/60Hz	#12 AWG
B41517	MED1	1200 Watts	120 VAC/10A/60Hz	#12 AWG
B41518	MED1	1200 Watts	240 VAC/5A/60Hz	#12 AWG
B41598	MED1	1200 Watts	208 VAC/6A/60Hz	#12 AWG
B41601	CAR2	2400 Watts	120 VAC/20A/60Hz	#12 AWG
B41602	CAR2	2400 Watts	240 VAC/10A/60Hz	#12 AWG
B41692	CAR2	2400 Watts	208 VAC/11.5A/60Hz	#12 AWG
B41603	ARCTIC2	2600 Watts	120 VAC/22A/60Hz	#12 AWG
B41604	ARCTIC2	3000 Watts	240 VAC/12.5A/60Hz	#12 AWG
B41694	ARCTIC2	3000 Watts	208 VAC/14.5A/60Hz	#12 AWG
B41605	CAR1	1200 Watts	120 VAC/10A/60Hz	#12 AWG
B41606	CAR1	1200 Watts	240 VAC/5A/60Hz	#12 AWG
B41696	CAR1	1200 Watts	208 VAC/6A/60Hz	#12 AWG
B41710	CORT2	2400 Watts	120 VAC/20A/60Hz	#12 AWG
B41711	CORT2	2400 Watts	240 VAC/10A/60Hz	#12 AWG
B41719	CORT2	2400 Watts	208 VAC/11.5A/60Hz	#12 AWG
B41704	CORT1	1200 Watts	120 VAC/10A/60Hz	#12 AWG
B41705	CORT1	1200 Watts	240 VAC/5A/60Hz	#12 AWG
B41709	CORT1	1200 Watts	208 VAC/6A/60Hz	#12 AWG
B49510	ALP2LG	2600 Watts	120 VAC/22A/60 Hz	#12 AWG
B49511	ALP2LG	3000 Watts	240 VAC/12.5A/60Hz	#12 AWG
B49591	ALP2LG	3000 Watts	208 VAC/11.5A/60Hz	#12 AWG
B49512	ANTARCTIC2	2600 Watts	120 VAC/22A/60Hz	#12 AWG
B49513	ANTARCTIC2	3000 Watts	240 VAC/12.5A/60Hz	#12 AWG
B49593	ANTARCTIC2	3000 Watts	208 VAC/14.5A/60Hz	#12 AWG
B49515	ALP2SM	2400 Watts	120 VAC/20A/60Hz	#12 AWG
B49516	ALP2SM	2400 Watts	240 VAC/10A/60Hz	#12 AWG
B49596	ALP2SM	2400 Watts	208 VAC/6A/60Hz	#12 AWG
B49517	ALP1	1200 Watts	120 VAC/10A/60Hz	#12 AWG
B49518	ALP1	1200 Watts	240 VAC/10A/60Hz	#12 AWG
B49598	ALP1	1200 Watts	208 VAC/11.5A/60Hz	#12 AWG
B41706	GLACIER2	2600 Watts	120 VAC/22A/60Hz	#12 AWG
B41707	GLACIER2	3000 Watts	240 VAC/12.5A/60Hz	#12 AWG
B41794	GLACIER2	3000 Watts	208 VAC/14.5A/60Hz	#12 AWG
B41507	MED3	3600 Watts	208 VAC/17.5A/60Hz	#12 AWG
B41508	MED3	3600 Watts	120 VAC/30A/60Hz	#10 AWG
B41509	MED3	3600 Watts	240 VAC/15A/60Hz	#12 AWG
B41607	CAR3	3600 Watts	208 VAC/17.5A/60Hz	#12 AWG
B41608	CAR3	3600 Watts	120 VAC/30A/60Hz	#10 AWG
B41609	CAR3	3600 Watts	240 VAC/15A/60Hz	#12 AWG

***The supply must be from an individual grounded circuit that is protected by a circuit breaker and rated per the specifications for the various models as shown in the table above.***



## **WARNING!**

**If the electric power supply does not meet the product specifications, consult with a licensed electrician before proceeding with installation.**

# Installation



## IMPORTANT!

Save this document for future reference. This appliance must be properly installed and grounded by a qualified technician.



## IMPORTANT!

Do not remove the clear plastic covering film on the ceramic glass until cooktop is ready to be used.

## Unpacking the Cooktop

**1)** Carefully unpack the cooktop from its shipping container. If possible, retain the original shipping carton and protective packaging in case the unit needs to be returned for service.

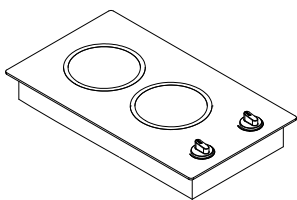
Verify and identify the contents of the package. The following items should be included in the carton. If any components are missing or damaged, contact KENYON immediately.

## Check the Electrical Supply Requirements

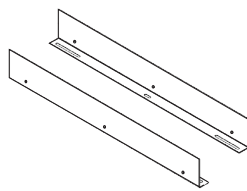
**2)** This product must be installed in accordance with national, state and local electric codes. The table on page 6 provides the correct voltage, amperage and frequency that must be supplied to the cooktop.

The supply must be from an individually grounded circuit that is protected by a circuit breaker and rated per the specifications for the various models as shown in the table on page 8.

### PARTS INCLUDED



Cooktop



Mounting Brackets



Mounting Screws  
Package

## Countertop Preparation

### 3) Please read this section prior to making cutout for cooktop.

It is important to plan ahead for installation of the cooktop, keeping the following dimensions in mind.

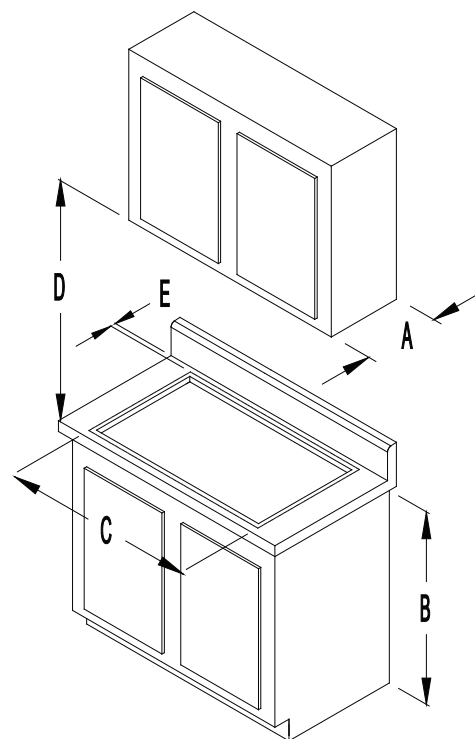
A - 13 inches maximum depth of overhead cabinets

B - 36 inches is minimum height of countertop above floor

C - The minimum flat countertop surface that the cooktop will rest upon must be equal to or greater than the overall cooktop dimensions (refer to page 6 for overall cooktop dimensions).

D - 30 inches minimum clearance between the top of the cooking surface and the bottom of an unprotected wood or metal cabinet or 24 inch minimum clearance when the bottom of the wood or metal cabinet is protected by not less than 1/4-inch-thick flame retardant millboard covered with not less than No. 28 MSG sheet steel, 0.015-inch-thick stainless steel, 0.024-inch-thick aluminum or 0.020-inch-thick-copper.

E - 1-inch minimum from backsplash of countertop to edge of glass (refer to the page 6 for overall cooktop dimensions).



## WARNING!

To eliminate the risk of burns by reaching over heated surface units, cabinet storage space located above surface units should be avoided. If cabinet storage is to be provided, the risk can be reduced by installing a range hood that projects horizontally a minimum of 5" beyond the bottom of the cabinets.

Before making the countertop cutout, check for clearance. Check to see if the cooktop will clear the front and side walls of the base cabinet. It is also important to provide enough ventilation.

Adequate ventilation of the space below the countertop must be provided to ensure proper operation of the cooktop. Heat transferred from the cooktop bottom pan during operation will overheat an improperly ventilated area.

### FOR INSTALLATIONS IN CANADA:

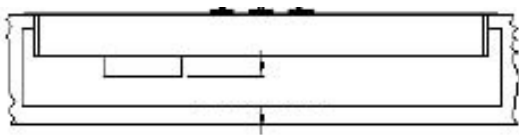
“DO NOT INSTALL CLOSER THAN 1/2 INCH (12MM) FROM ANY ADJACENT SURFACE”

**NE PAS INSTALLER A'MOINS DE 12MM DETOUTE SURFACE ADJACENTE.**

# Installation

## Countertop Preparation Continued...

Allow a 2" minimum clearance between the bottom of the metal pan of the cooktop and any combustible surface located below, ie: the upper edge of a drawer installed below the cooktop (**see figure below**). Failure to provide proper clearances and ventilation may result in a fire hazard.



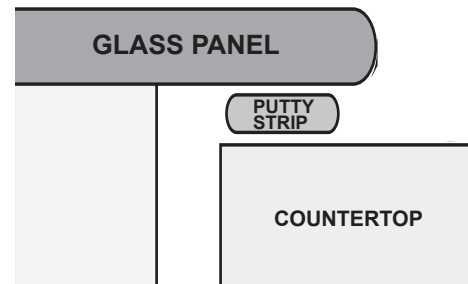
**2 INCH (51mm) MINIMUM**

Since the appliance requires a sufficient supply of fresh air to operate at maximum performance, the cabinet must be designed accordingly. The following is required for this:

- The cabinet must have a minimum of two openings; one to allow fresh air to enter and the other for hot air to escape the cabinet.
- Opening sizes must be equal to 8 square inches each. This is for ambient temperatures of 85°F / 30°C and below. If the ambient temperature around the appliance is above 85°F / 30°C then larger ventilation opening sizes may be required.

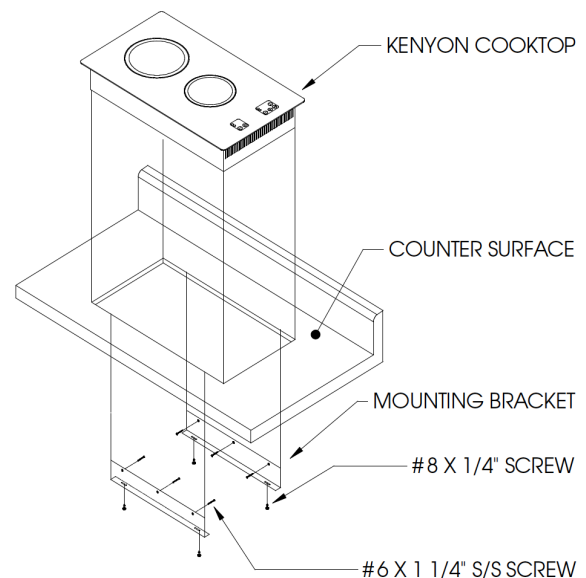
## Installing the Cooktop

**4)** The cooktop is supplied with two metal mounting brackets. These brackets are designed to hold the cooktop firmly in place. The cooktop does not have a metal frame and should be sealed to the countertop. **Use a soft bedding compound that will prevent damage if later removal for service is necessary. We recommend a nonadhesive type of sealant, such as plumber's putty, maximum compressed thickness of 1/16".**



Attach the two mounting brackets as shown (**see figure below**) to the inside vertical surface of the cutout. The brackets are to be mounted on opposing sides. If your counter material is granite you will need to glue two wood strips underneath the counter to accept the mounting brackets. Center the bracket in the opening, **flush with the countertop** and secure with #6 self-tapping screws that are provided. Position the cooktop in the cutout opening and press firmly on all sides to seal the glass into the bedding compound. Secure the cooktop to the brackets from underneath with the small sheet metal screws that are supplied.

**BE CAREFUL NOT TO OVERTIGHTEN THE SCREWS.**



## Electrical Connection

**5)** Before proceeding further, verify that the power supply is disconnected. Verify that the appropriate electrical supply requirements have been met. Please refer to the table on page 6 for appropriate electrical requirements. The cooktop is supplied with a 36-inch long conduit for a connection to an accessible junction box. The conduit consists of three insulated wires. There are two insulated hot lead conductors (red and black) and one insulated ground conductor (green).

Attach conductor wires to residence wiring in accordance with national, state and local electric codes.

## Final Preparations Prior to Use

**6)** Before first use, remove the plastic film and clean the cooktop thoroughly. A thorough cleaning with a cooktop cleaner will provide a clean, shiny coating on the cooktop surface.



### **WARNING!**

**The entire appliance must be grounded at all times when the electrical power supply is on. Do not ground the appliance with the neutral house supply wire (white). A separate ground must be used.**

# Operation

---

## READ SAFETY INSTRUCTIONS BEFORE OPERATING YOUR APPLIANCE

### Use Good Quality Cookware

Since cookware plays an important role in cooking efficiency and convenience, keep in mind the following information when selecting your cookware.

Avoid pans with shaped and rounded bottoms as this inhibits the pan or pot in cooking evenly. The best quality pans and pots to use are the multi-ply stainless steel type. Kenyon sells such pots and pans called StackKEN™. They come with a lifetime guarantee and are made in the USA. These pans and pots work exceptionally well on induction cooktops as well as radiant glass top stoves.

Use cookware of the correct diameter only. The base of the pot or pan should be about the same size as the cooking zone on which it is used – not much wider and not much smaller. By using utensils with the correct diameter, you should achieve maximum heating efficiency with the shortest possible cooking time.

Be certain that both the cooktop glass panel and the bottom of your pots and pans are clean and dry before use. By doing so, you will help prevent scratches and stains on your cooktop glass panel.

### Heating Elements

This KENYON cooktop contains ribbon-type, radiant heating elements. The radiant elements will “light up” about 4-5 seconds after being turned on. The special design of these elements direct the heat up through the ceramic glass providing efficient cooking. Temperature limiters are included in each element to ensure that the safe operating temperature of the ceramic glass top is not exceeded. The temperature limiter will cycle the radiant element off to prevent exceeding the maximum surface temperature.

## Knobs & Indicator Lights

The cooking area controls are called “infinite” controls. This type of control has an infinite selection of heat settings. The control settings begin at high and decrease heat output by cycling the heating elements between “off” and “on” as you turn the knob clockwise. The heating elements will stay “off” for longer periods and “on” for shorter periods as you turn the knob clockwise, thus reducing the heat output.

There are a series of lights that provide indications of burner operation and hot surfaces. These lights are located adjacent to the control knobs. When the control is in the “on” position, a red light is lit indicating which burner is on.

For your safety, we have incorporated a “HOT” indicator light. When lit, this light indicates that some part of the glass ceramic cooktop is too warm to touch or place articles upon. Do not place articles other than cookware on the cooking surface while this light is glowing.



## Cleaning

**Important:** Do not remove the control knobs for cleaning. They are not designed for repeated removal. Doing so may loosen the internal metal insert, causing the knob to lose its grip on the shaft.

Use a soft cloth to gently clean under the skirt of each knob.

Clean your Kenyon cooktop before its first use with a ceramic cooktop cleaner to help create a protective coating.

Wipe away food spills, grease splatters, and metal rub-off from cookware promptly.

Use a razor blade scraper or similar tool to remove hardened spillovers.

Clean the surface with a paper towel or soft cloth and the recommended cleaner.

After cleaning, always wipe with a clean, damp cloth to prevent residue buildup, then dry thoroughly.

**DO NOT** use dish towels or sponges, as detergents may leave a film that discolors the surface.

**DO NOT** use abrasive cleaners or scouring pads (plastic, nylon, or metal), which can scratch or melt onto the cooktop.

**AVOID** chemical cleaners like chlorine bleach, ammonia, hydrofluoric acid, or oven cleaners—they may etch or discolor the surface.

If plastic, aluminum foil, sugar, or similar materials melt onto the hot cooktop:

Use a razor blade scraper to move the substance to a cooler area of the cooktop.

Remove it as soon as it cools.

By following these steps, you'll help maintain your Kenyon cooktop's performance and appearance for years to come.

Kenyon International, Inc (the "Company") warrants its products in normal usage to be free of defects in materials and workmanship subject to the conditions and limitations below. Any part, which proves to be defective in normal usage during the warranty period will be repaired or replaced by the Company.

**In order for product to be covered under this warranty it must be returned to the Company for evaluation. Please contact [support@cookwithkenyon.com](mailto:support@cookwithkenyon.com) for return instructions.**

This warranty covers certain products built by the Company and is subject to the following conditions and limitations:

1. The Company's liability shall be limited to repair or replacement (choice of remedy at Company's option) of electronic components as may be defective in materials or workmanship. This liability is limited to three years from the date of original installation or 42 months from invoice date, whichever comes first; this warranty covers parts and labor at pre-approved rates. Stainless steel is warranted with a lifetime guarantee to be rust free when cared for monthly as outlined in owner's manual. If corrosion begins, contact the Company with photo evidence of corrosion for replacement components.
2. Determination of suitability of the product for the use contemplated by the Buyer is the sole responsibility of the Buyer and the Company shall have no responsibility in connection with such suitability.
3. The Company shall not be liable for any damage resulting from:
  - failures due to use of the product in applications for which they are not intended;
  - failures due to corrosion, wear and tear, abuse, neglect, improper installation or maintenance;
  - failures due to breakage of glass, accidental or otherwise.
4. The Company shall be responsible for ground shipping charges to the location of the appliance (home) within the Continental United States and Canada. Any duties, express or special shipping charges are at the expense of the Buyer.
5. All labor allowed by the Company under this warranty must be pre-authorized and performed by an Authorized Kenyon International Service Center, unless otherwise specified in writing by the Company.

THERE ARE NO OTHER WARRANTIES OF MERCHANTABILITY, FITNESS FOR PURPOSE OR ANY OTHER KIND, EXPRESSED OR IMPLIED AND NONE SHALL BE IMPLIED BY LAW. The duration of any such warranties that are nevertheless implied by law for the benefit of a consumer, shall be limited to a period of three years from original purchase by the user. Some countries do not allow limitations on how long an implied warranty lasts, so this limitation may not apply to you.

THE COMPANY SHALL NOT BE LIABLE FOR CONSEQUENTIAL OR INCIDENTAL DAMAGES ARISING FROM THE BREACH OF THIS WARRANTY, WHETHER EXPRESSED, IMPLIED OR STATUTORY. Some countries or states do not allow exclusion or limitation of consequential or incidental damages so this limitation or exclusion may not apply to you.

THIS WARRANTY GIVES YOU SPECIFIC LEGAL RIGHTS AND YOU MAY ALSO HAVE OTHER LEGAL RIGHTS THAT MAY VARY FROM COUNTRY TO COUNTRY AND STATE TO STATE.

**Kenyon International, Inc.**  
**P.O. Box 925 • 8 Heritage Park Road • Clinton, CT 06413 USA**  
**Phone (860) 664-4906 FAX: (860) 664-4907**

**SAVE THESE INSTRUCTIONS**