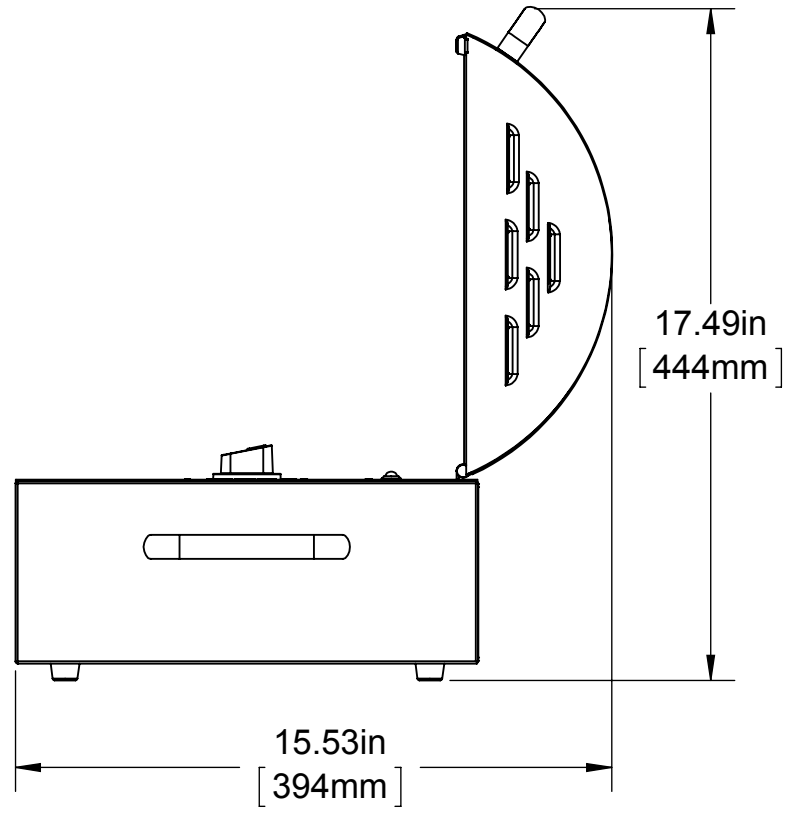
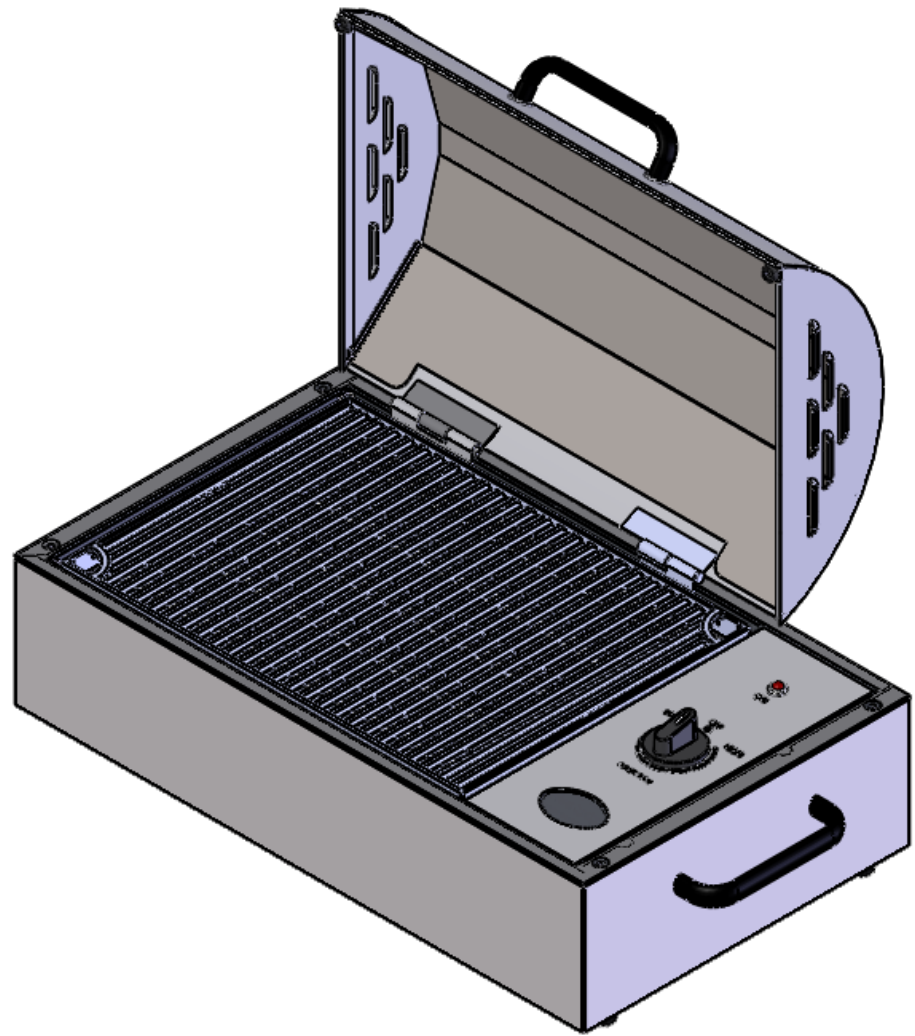
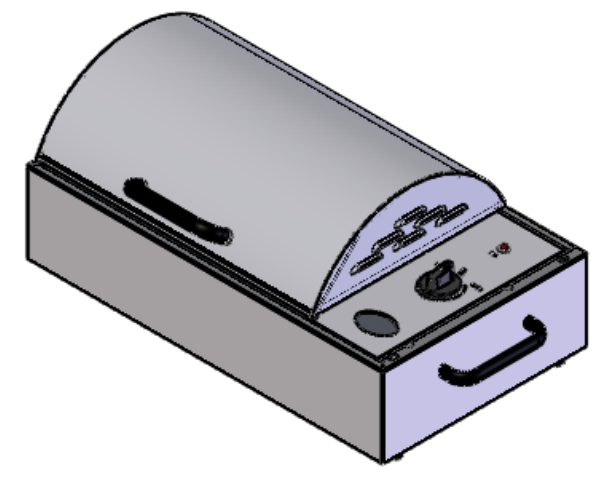
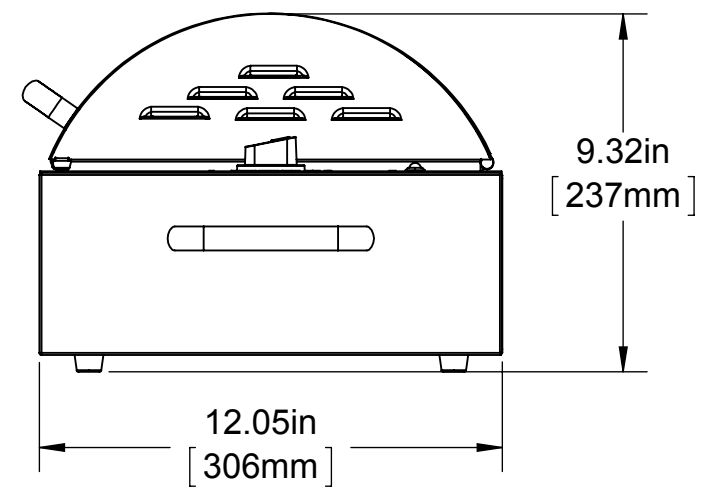
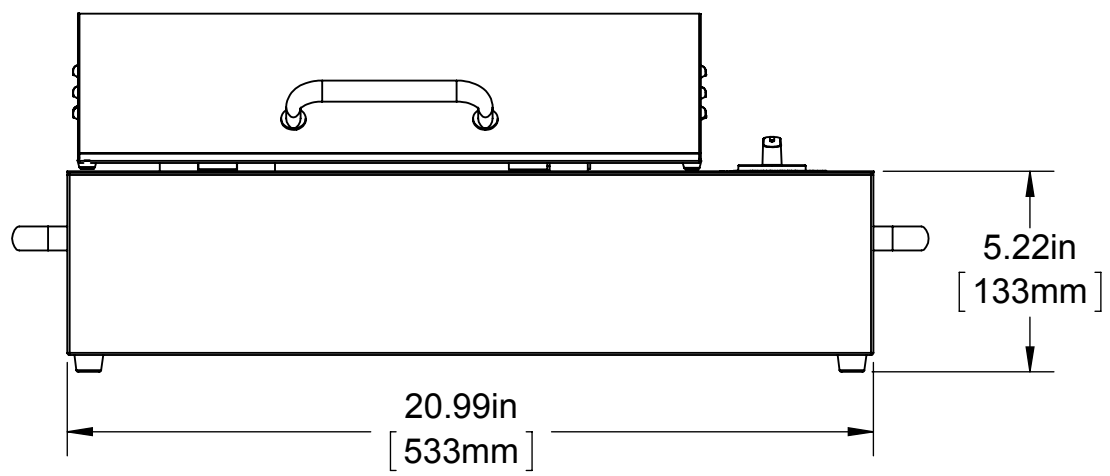


8 7 6 5 4 3 2 1

D
C
B
A



D
C
B
A

PROPRIETARY AND CONFIDENTIAL
THE INFORMATION CONTAINED IN THIS DRAWING IS THE SOLE PROPERTY OF KENYON INTERNATIONAL. ANY REPRODUCTION IN PART OR AS A WHOLE WITHOUT THE WRITTEN PERMISSION OF KENYON INTERNATIONAL IS PROHIBITED.

		UNLESS OTHERWISE SPECIFIED:		NAME	DATE	KENYON INTERNATIONAL 8 HERITAGE PARK - PO BOX 925 CLINTON, CT 06413	
		DIMENSIONS ARE IN INCHES TOLERANCES: ANGULAR: MACH ± 0.50° BEND ± 1.00° TWO PLACE DECIMAL ±.01 THREE PLACE DECIMAL ±.005		DRAWN	SWS	2/14/17	TITLE: REVOLUTION GRILL
		INTERPRET GEOMETRIC TOLERANCING PER ANSI/ASME Y14.5M-2009		CHECKED			
		MATERIAL		ENG APPR.			
		FINISH		MFG APPR.			
NEXT ASSY	USED ON	DO NOT SCALE DRAWING		Q.A.			SIZE DWG. NO. REV
APPLICATION				COMMENTS:			B B70202, B70203, B70203SCHUKO & B70203UK
							SCALE: 1:5 WEIGHT: SHEET 1 OF 1

8 7 6 5 4 3 2 1